

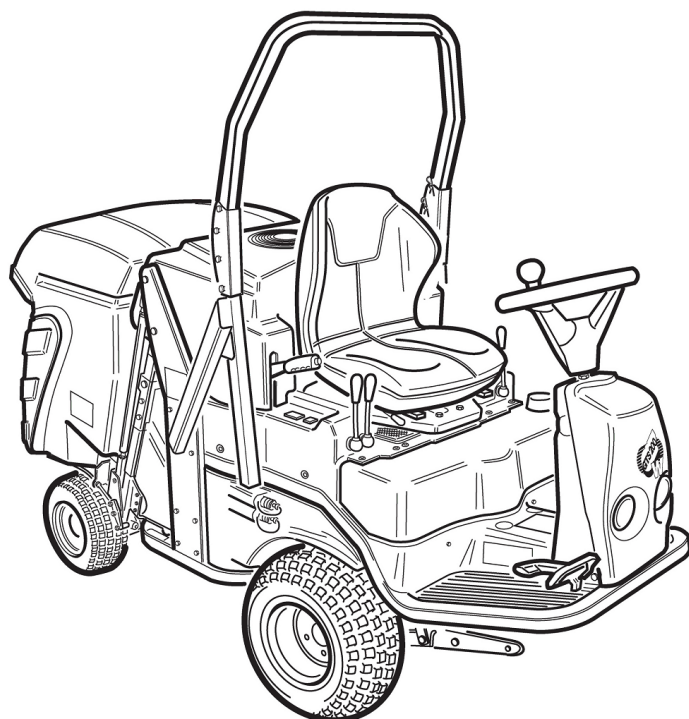
Inhoudsopgave

Aandrijving bij Motor	45
Achteras 4WD	55
Elektrische Delen	71
Elektrische Delen bij Diesel Uitvoering	91
Elektrische Verlichting	118
Frame	57
Grasvang Bak	65
Handrem	61
Hoogkieper	97
Hydrauliek	17
Hydrauliek en tank & aandrijving	108
Hydraulische Aandrijving	27
Hydraulische Hef & Cilinders	37
Hydrauliek Hoogkieper	99
Kappen & Tank	4
Kiep Inrichting	63
Motor Radiateur & Filters	103
Motor & Filters	39
Stickers	79
Stuur Inrichting	49
Wielen	85



Gianni Ferrari

GTS-W



CATALOGO PARTI DI RICAMBIO

CATALOGUE PIECES DETACHEES

SPARE PARTS CATALOGUE

TERSATZTEILKATALOG



COMPOSIZIONE CODICE D'ORDINE

NUMERO DI MATRICOLA ALFANUMERICO DEL TELAIO + CODICE PARTICOLARE DI RICAMBIO

COMPOSITION OF THE ORDER CODE

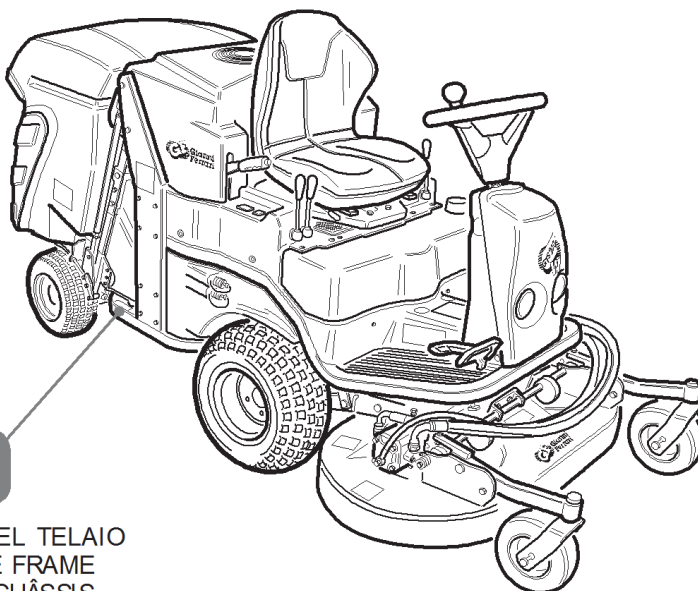
ALPHANUMERICAL SERIAL NUMBER OF THE FRAME + CODE NUMBER OF THE SPARE PART

COMPOSITION DU CODE DE L'ORDRE

NUMÉRO DE SÉRIE ALPHANUMÉRIQUE DU CHÂSSIS + CODE AU PIECE DE RECHANGE

AUFBAU DES BESTELLKODE

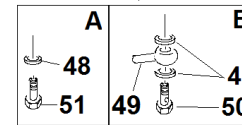
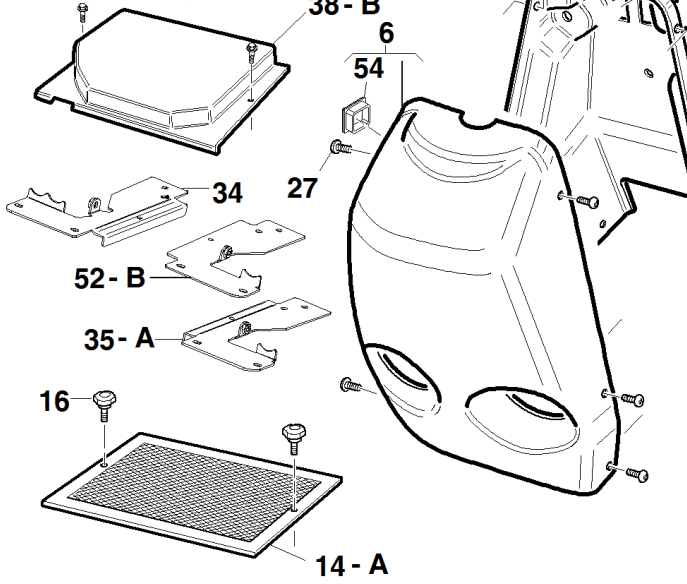
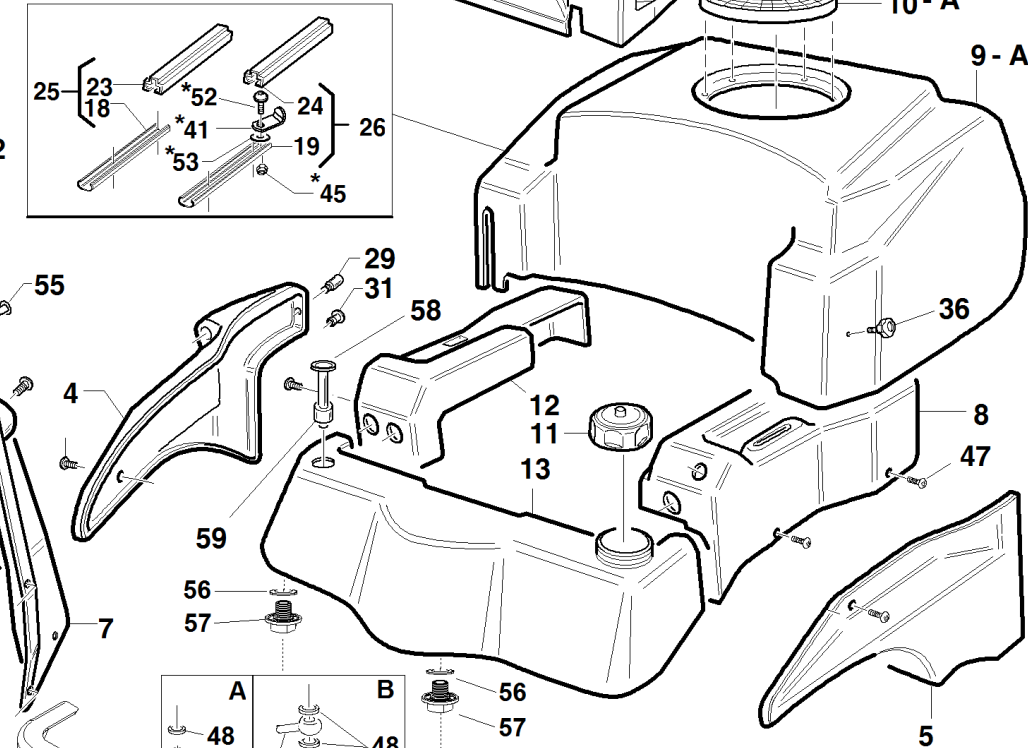
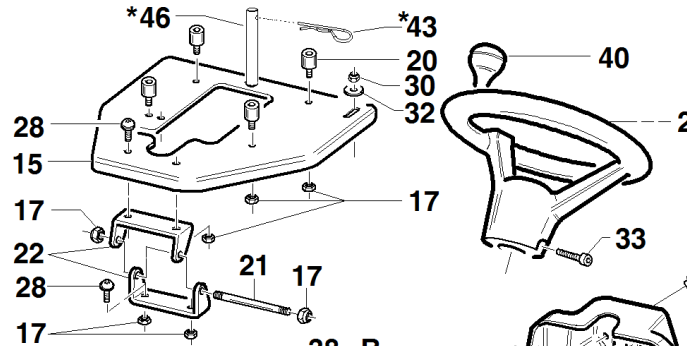
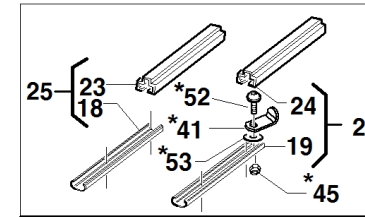
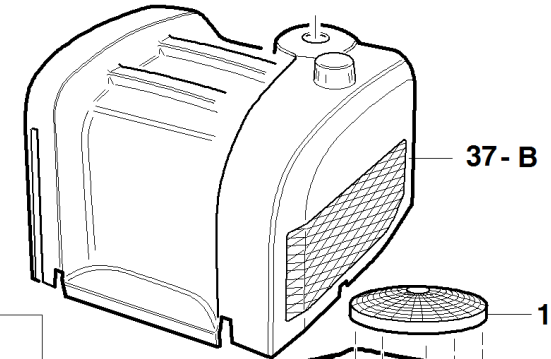
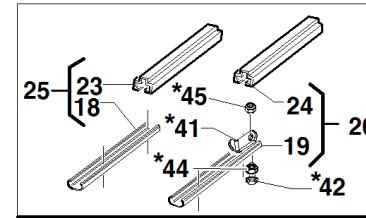
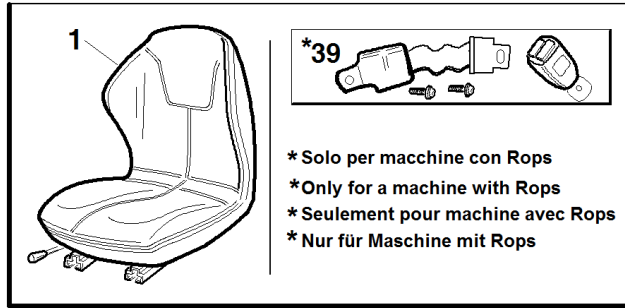
ALPHANUMERISCHE SERIENNUMMER DES GERÜSTES + HINWEIS AUF DAS CODE



XXXXXXX

NUMERO DI MATRICOLA ALFANUMERICO DEL TELAIO
ALPHANUMERICAL SERIAL NUMBER OF THE FRAME
NUMÉRO DE SÉRIE ALPHANUMÉRIQUE DU CHÂSSIS
ALPHANUMERISCHE SERIENNUMMER DES GERÜSTES

GTS



A - GTS 230
B - GTS 220 D

S/N
→1310001

REF.01 - 00555501343

1	00777850027	"COMPLETE SEAT ""COBO"" GTS"		
2	00111970209	STEERING WHEEL W/BUSHING		
3	92001320001	TUNNEL		
4	92001320006	RIGHT MUDGUARD		
5	92001320005	LEFT MUDGUARD		
6	94500000084	FRONT DASHBOARD RAL 3002		
7	94500000107	REAR DASHBOARD		
8	92001320004	LEFT BODY		
9	92011121000	GTS230 ASSEMBLY ENGINE HOOD		
10	00111970153	ENGINE-EXHAUST GRID		
11	00111970237	CAP		
12	92001320003	BODY RIGHT		
13	92001000035	FUEL TANK		
14	92001460000	GTS160/200 RADIATOR CLEAN.GRID		
15	94500000015	SEAT SUPPORT		
16	00111970133	KNOB M6X20		
17	00111000071	SELF LOCKING NUT M8 UNI 7473		
18	00777850029	LOWER RIGHT GUIDE-GTS-		
19	00777850028	LOWER LEFT GUIDE -GTS-		
20	00111970127	STOPPER M8 D30X20		
21	94500000066	HOOD HINGE PIN		
22	95500000003	SEAT SUPPORT HINGE		
23	00777850031	UPPER RIGHT GUIDE -GTS-		
24	00777850030	UPPER LEFT GUIDE -GTS-		
25	00777850033			
26	00777850032			
27	00111350009	SCREW AUTOFORF.4.2X13		
28	00111450003	SCREW WASHER M8X20		
29	94500000085	VALANCE PANEL PIN		
30	00111000095	SELF BLO. NUT M8		
31	00111970066	CABLE HOLDER D.I.9		
32	00111000132	WASHER P. 8,4X32X2,5 ZNT		
33	00111400015	ALLEN SCREW M6X40		
34	92001270000	CONSOLLE RIGHT SUPP.PLATE		
35	92001280000	CONSOLLE LEFT SUPP.PLATE		
36	00111970025	KNOB M8 MALE		
37	92006241000	GTS220D ENGINE HOOD		
38	92006000026	PUMP CLOSER		
39	00777851000	SAFETY BELT ASSEMBLING KIT		
40	00111970217	STEERING WHEEL KNOB		
41	91001000054	SEAT BLOCK		
42	00111450003	SCREW WASHER M8X20		
43	00111750004	""BETA DECO"" SPLIT PIN"		
44	00111000082	NUT M8		
45	00111000095	SELF BLO. NUT M8		
46	92001000061	LOCKING SEAT PIN FOR ROPS		
47	00111450020	SCREW M8 X 16		
48	00777600001	WASHER COPPER 1/4		
49	00777600183	METAL EYELET 1/4		
50	00777600040	SIMPLE CABLE BOLT		
51	00777600050	PLUG 1/4		
52	00111450020	SCREW M8 X 16		
53	92006170000	SX XONSOLE SUPPORT PLATE		
54	00111970231			
55	00111970158	BLACK PLUG		
56	00777230025	GASKET		
57	87001000068	ADAPTER M3/8		
58	00111970238	LEVEL INDICATOR		
59	00111970239	SEAL FOR FUEL LEVEL GAUGE		

COMPOSIZIONE CODICE D'ORDINE

NUMERO DI MATRICOLA ALFANUMERICO DEL TELAIO + CODICE PARTICOLARE DI RICAMBIO

COMPOSITION OF THE ORDER CODE

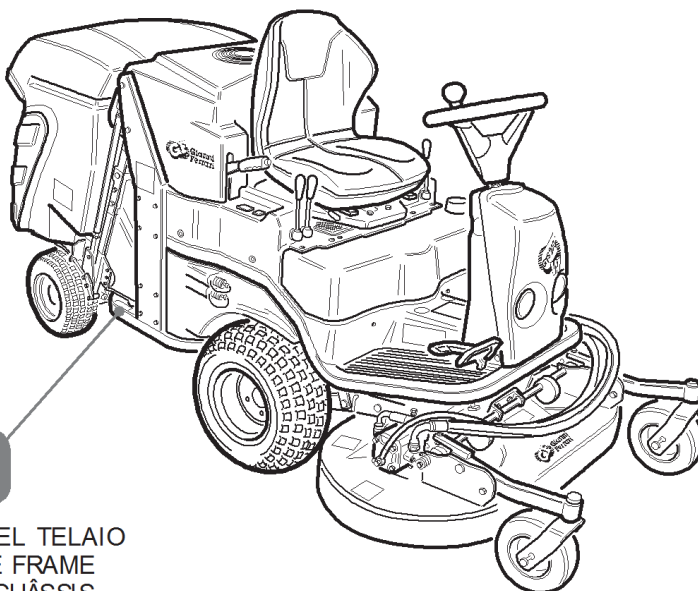
ALPHANUMERICAL SERIAL NUMBER OF THE FRAME + CODE NUMBER OF THE SPARE PART

COMPOSITION DU CODE DE L'ORDRE

NUMÉRO DE SÉRIE ALPHANUMÉRIQUE DU CHÂSSIS + CODE AU PIECE DE RECHANGE

AUFBAU DES BESTELLKODE

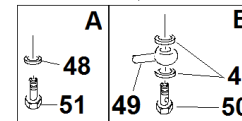
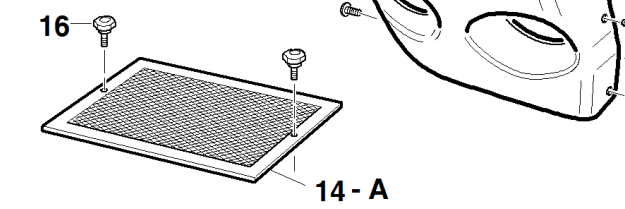
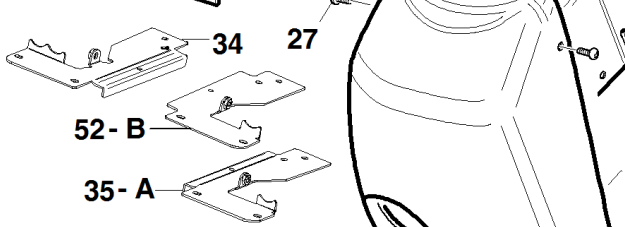
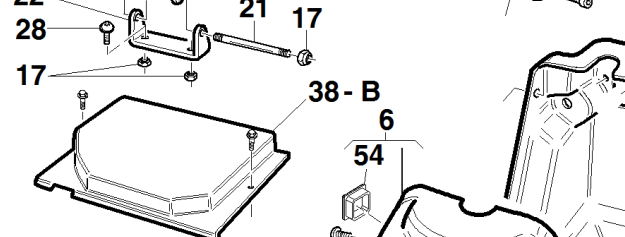
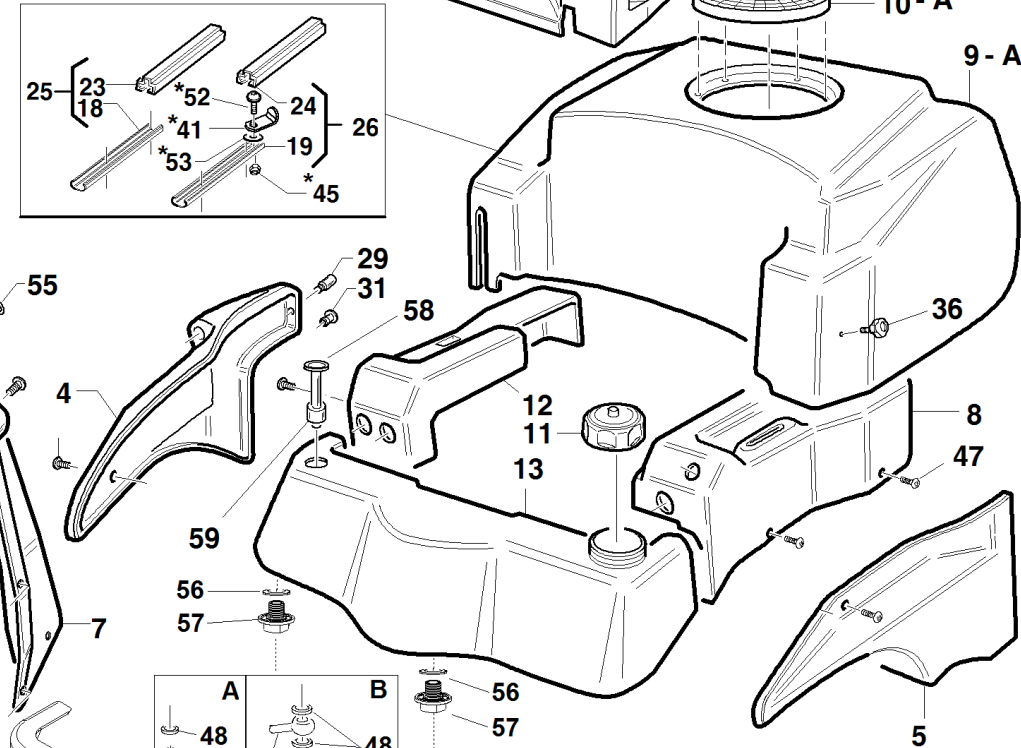
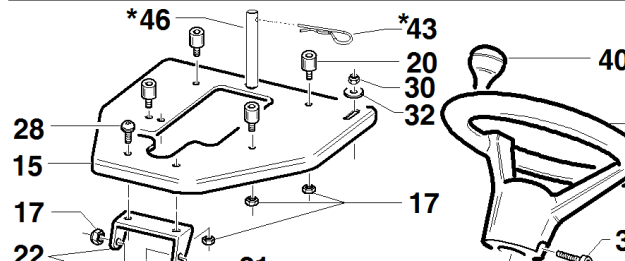
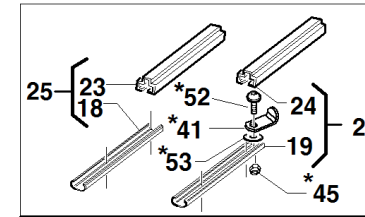
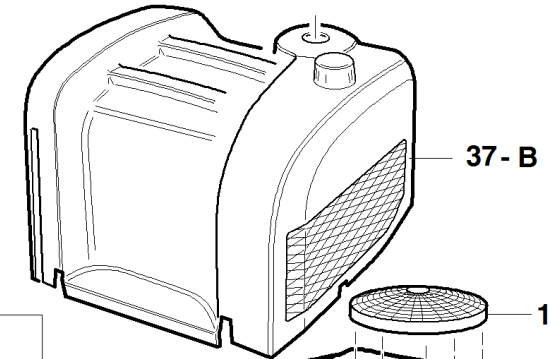
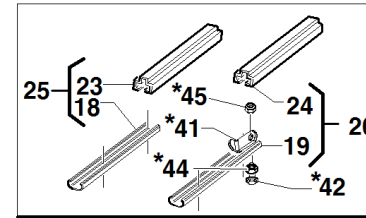
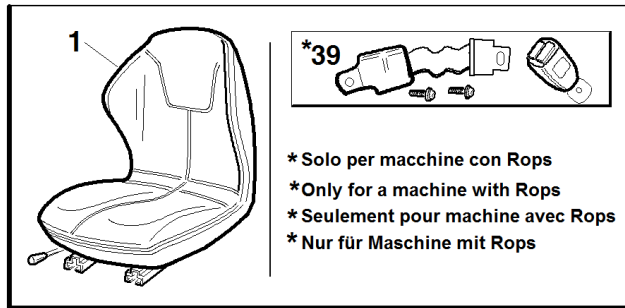
ALPHANUMERISCHE SERIENNUMMER DES GERÜSTES + HINWEIS AUF DAS CODE



XXXXXXX

NUMERO DI MATRICOLA ALFANUMERICO DEL TELAIO
ALPHANUMERICAL SERIAL NUMBER OF THE FRAME
NUMÉRO DE SÉRIE ALPHANUMÉRIQUE DU CHÂSSIS
ALPHANUMERISCHE SERIENNUMMER DES GERÜSTES

GTS



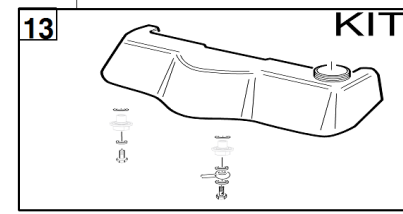
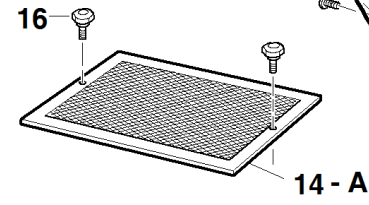
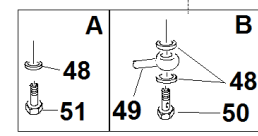
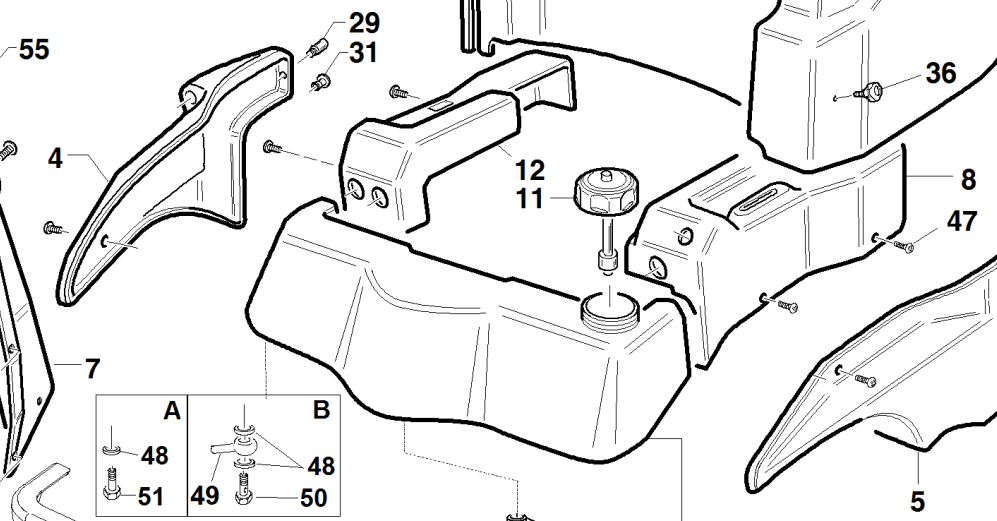
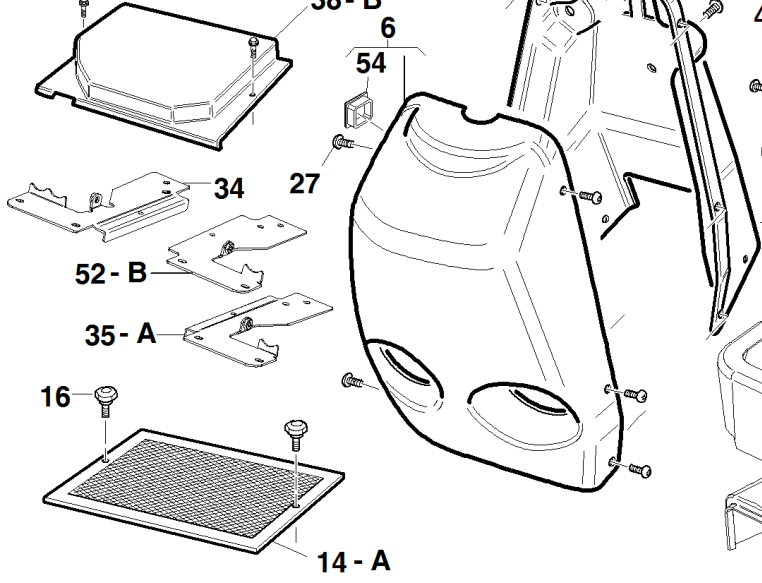
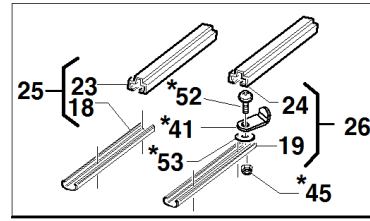
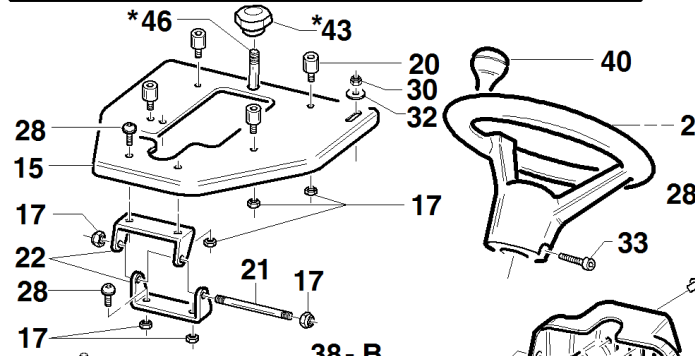
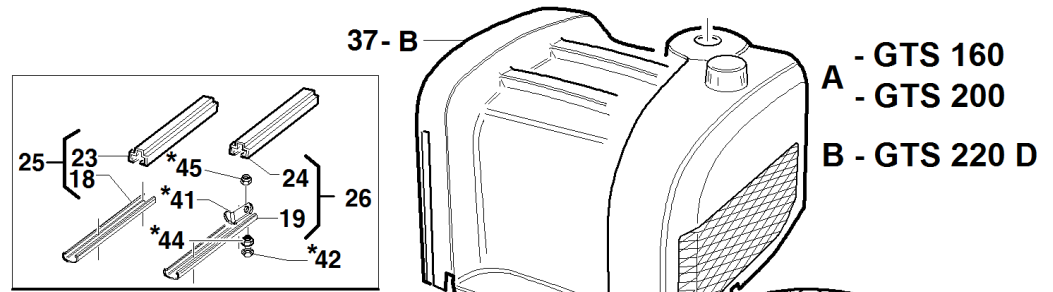
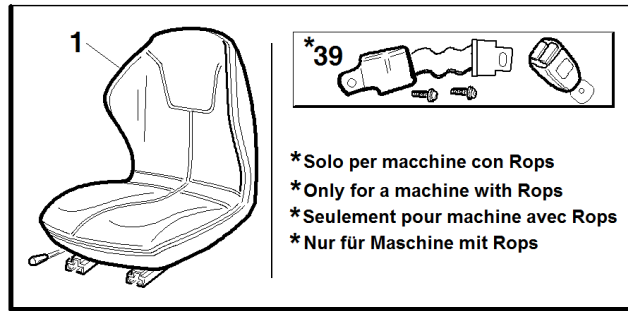
A - GTS 160 - GTS 200
B - GTS 220 D

S/N
→1210001

REF.01 - 00555501338

#	P/N	DESCRIPTION	GTS	REF. 01 - 00555501338
1	00777850027	COMPLETE SEAT "COBO" GTS		
2	00111970209	STEERING WHEEL W/BUSHING		
3	92001320001	TUNNEL		
4	92001320006	RIGHT MUDGUARD		
5	92001320005	LEFT MUDGUARD		
6	94500000084	FRONT DASHBOARD RAL 3002		
7	94500000107	REAR DASHBOARD		
8	92001320004	LEFT BODY		
9	92001620000	B&S ENGINE HOOD		
10	00111970153	ENGINE-EXHAUST GRID		
11	00111970237	CAP		
12	92001320003	BODY RIGHT		
13	92001000035	FUEL TANK		
14	92001460000	GTS160/200 RADIATOR CLEAN.GRID		
15	94500000015	SEAT SUPPORT		
16	00111970133	KNOB M6X20		
17	00111000071	SELF BLO. NUT M8		
18	00777850029	LOWER RIGHT GUIDE-GTS-		
19	00777850028	LOWER LEFT GUIDE -GTS-		
20	00111970127	STOPPER M8 D30X20		
21	94500000066	HOOD HINGE PIN		
22	95500000003	SEAT SUPPORT HINGE		
23	00777850031	UPPER RIGHT GUIDE -GTS-		
24	00777850030	UPPER LEFT GUIDE -GTS-		
25	00777850033			
26	00777850032			
27	00111350009	SCREW AUTOFORF.4.2X13		
28	00111450003	SCREW WASHER M8X20		
29	94500000085	VALANCE PANEL PIN		
30	00111000095	SELF BLO. NUT M8		
31	00111970066	CABLE HOLDER D.I.9		
32	00111000132	WASHER P. 8,4X32X2,5 ZNT		
33	00111400015	ALLEN SCREW M6X40		
34	92001270000	CONSOLLE RIGHT SUPP.PLATE		
35	92001280000	CONSOLLE LEFT SUPP.PLATE		
36	00111970025	KNOB M8 MALE		
37	92006241000	GTS220D ENGINE HOOD		
38	92006000026	PUMP CLOSER		
39	00777851000	SAFETY BELT ASSEMBLING KIT		
40	00111970217	STEERING WHEEL KNOB		
41	91001000054	SEAT BLOCK		
42	00111450003	SCREW WASHER M8X20		
43	00111750004	"BETA DECO" SPLIT PIN		
44	00111000082	NUT M8		
45	00111000095	SELF BLO. NUT M8		
46	92001000061	LOCKING SEAT PIN FOR ROPS		
47	00111450020	SCREW M8 X 16		
48	00777600001	WASHER COPPER 1/4		
49	00777600183	METAL EYELET 1/4		
50	00777600040	SIMPLE CABLE BOLT		
51	00777600050	PLUG 1/4		
52	00111450020	SCREW M8 X 16		
53	92006170000	SX XONSOLE SUPPORT PLATE		
54	00111970231			
55	00111970158	BLACK PLUG		
56	00777230025	GASKET		
57	87001000068	ADAPTER M3/8		
58	00111970238	LEVEL INDICATOR		
59	00111970239	PASSACAVO (REMOTE 100)		

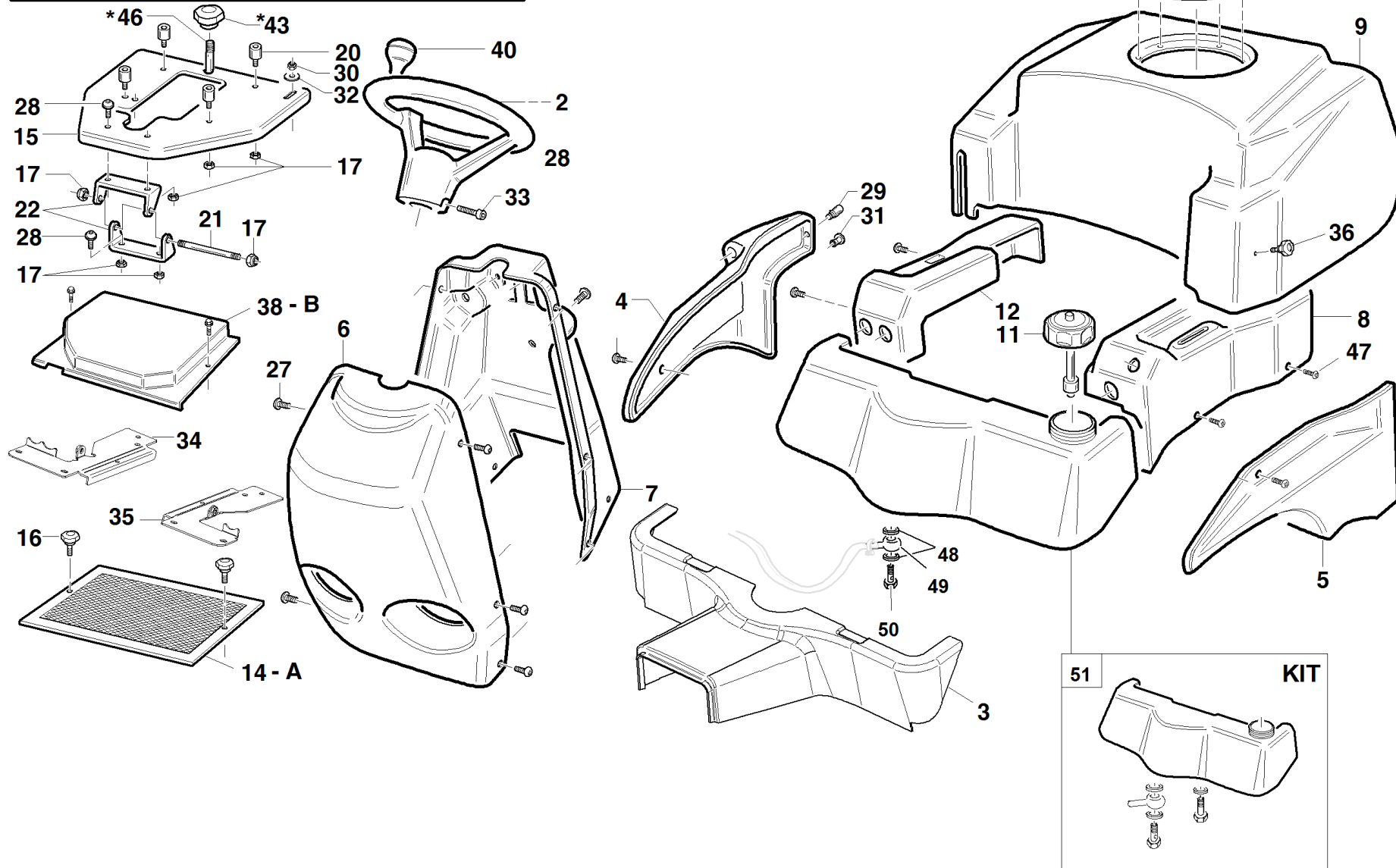
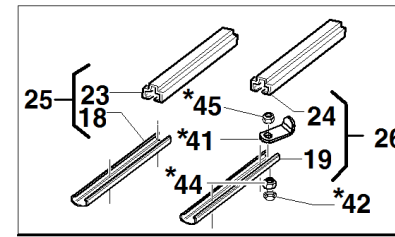
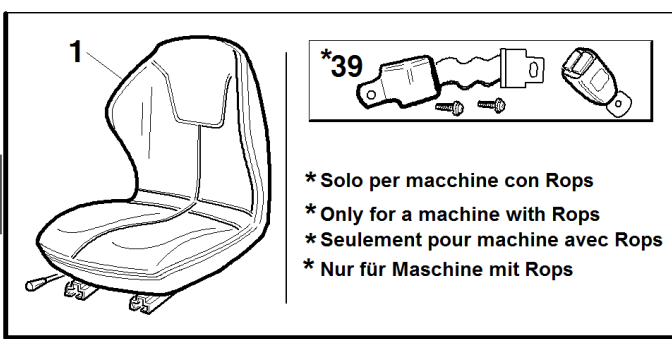
GTS



S/N
→ **1003053 ÷ 1209001** ←

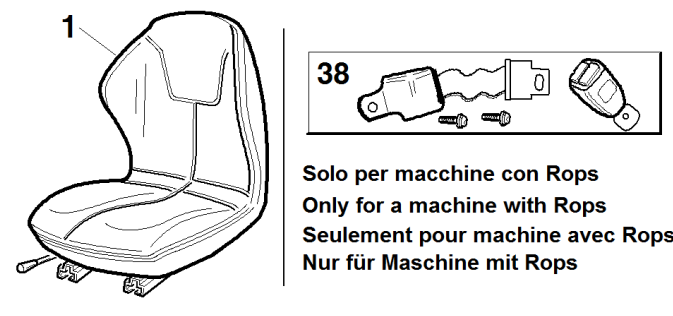
REF.01 - 00555501331

#	P/N	DESCRIPTION	GTS
1	00777850027	COMPLETE SEAT "COBO" GTS	
2	00111970209	STEERING WHEEL W/BUSHING	
3	92001320001	TUNNEL	
4	92001320006	RIGHT MUDGUARD	
5	92001320005	LEFT MUDGUARD	
6	94500000084	FRONT DASHBOARD RAL 3002	
7	94500000107	REAR DASHBOARD	
8	92001320004	LEFT BODY	
9	92001620000	B&S ENGINE HOOD	
10	00111970153	ENGINE-EXHAUST GRID	
11	00111970199	TANK PLUG WITH LEVEL	
12	92001320003	BODY RIGHT	
13	95598630000	GTS TANK SPARE PARTS KIT	
14	92001460000	GTS160/200 RADIATOR CLEAN.GRID	
15	94500000015	SEAT SUPPORT	
16	00111970133	KNOB M6X20	
17	00111000071	SELF BLO. NUT M8	
18	00777850029	LOWER RIGHT GUIDE-GTS-	
19	00777850028	LOWER LEFT GUIDE -GTS-	
20	00111970127	STOPPER M8 D30X20	
21	94500000066	HOOD HINGE PIN	
22	95500000003	SEAT SUPPORT HINGE	
23	00777850031	UPPER RIGHT GUIDE -GTS-	
24	00777850030	UPPER LEFT GUIDE -GTS-	
25	00777850033		
26	00777850032		
27	00111350009	SCREW AUTOFORF.4.2X13	
28	00111450003	SCREW WASHER M8X20	
29	94500000085	VALANCE PANEL PIN	
30	00111000095	SELF BLO. NUT M8	
31	00111970066	CABLE HOLDER D.I.9	
32	00111000132	WASHER P. 8,4X32X2,5 ZNT	
33	00111400015	ALLEN SCREW M6X40	
34	92001270000	CONSOLLE RIGHT SUPP.PLATE	
35	92001280000	CONSOLLE LEFT SUPP.PLATE	
36	00111970025	KNOB M8 MALE	
37	92006241000	GTS220D ENGINE HOOD	
38	92006000026	PUMP CLOSER	
39	00777851000	SAFETY BELT ASSEMBLING KIT	
40	00111970217	STEERING WHEEL KNOB	
41	91001000054	SEAT BLOCK	
42	00111450003	SCREW WASHER M8X20	
43	00111970034	KNOB M8	
44	00111000082	NUT M8	
45	00111000095	SELF BLO. NUT M8	
46	92108000004	SEAT LOCKING ROD	
47	00111450020	SCREW M8 X 16	
48	00777600001	WASHER COPPER 1/4	
49	00777600183	METAL EYELET 1/4	
50	00777600040	SIMPLE CABLE BOLT	
51	00777600050	PLUG 1/4	
52	00111450020	SCREW M8 X 16	
53	92006170000	SX XONSOLE SUPPORT PLATE	
54	00111970231		
55	00111970158	BLACK PLUG	



#	P/N	DESCRIPTION	GTS
1	00777850027	COMPLETE SEAT "COBO" GTS	
2	00111970209	STEERING WHEEL W/BUSHING	
3	92001320001	TUNNEL	
4	92001320006	RIGHT MUDGUARD	
5	92001320005	LEFT MUDGUARD	
6	94500000084	FRONT DASHBOARD RAL 3002	
7	94500000107	REAR DASHBOARD	
8	92001320004	LEFT BODY	
9	92001620000	B&S ENGINE HOOD	
10	00111970153	ENGINE-EXHAUST GRID	
11	00111970199	TANK PLUG WITH LEVEL	
12	92001320003	BODY RIGHT	
13	92001000035	FUEL TANK	
14	92001460000	GTS160/200 RADIATOR CLEAN.GRID	
15	94500000015	SEAT SUPPORT	
16	00111970133	KNOB M6X20	
17	00111000071	SELF BLO. NUT M8	
18	00777850029	LOWER RIGHT GUIDE-GTS-	
19	00777850028	LOWER LEFT GUIDE -GTS-	
20	00111970127	STOPPER M8 D30X20	
21	94500000066	HOOD HINGE PIN	
22	95500000003	SEAT SUPPORT HINGE	
23	00777850031	UPPER RIGHT GUIDE -GTS-	
24	00777850030	UPPER LEFT GUIDE -GTS-	
25	00777850033		
26	00777850032		
27	00111350009	SCREW AUTOFORF.4.2X13	
28	00111450003	SCREW WASHER M8X20	
29	94500000085	VALANCE PANEL PIN	
30	00111000095	SELF BLO. NUT M8	
31	00111970066	CABLE HOLDER D.I.9	
32	00111000132	WASHER P. 8,4X32X2,5 ZNT	
33	00111400015	ALLEN SCREW M6X40	
34	92001270000	CONSOLLE RIGHT SUPP.PLATE	
35	92001280000	CONSOLLE LEFT SUPP.PLATE	
36	00111970025	KNOB M8 MALE	
37	92006241000	GTS220D ENGINE HOOD	
38	92006000026	PUMP CLOSER	
39	00777851000	SAFETY BELT ASSEMBLING KIT	
40	00111970217	STEERING WHEEL KNOB	
41	91001000054	SEAT BLOCK	
42	00111450003	SCREW WASHER M8X20	
43	00111970034	KNOB M8	
44	00111000082	NUT M8	
45	00111000095	SELF BLO. NUT M8	
46	92108000004	SEAT LOCKING ROD	
47	00111450020	SCREW M8 X 16	
48	00777600001	WASHER COPPER 1/4	
49	00777600183	METAL EYELET 1/4	
50	00777600040	SIMPLE CABLE BOLT	
51	95598630000	GTS TANK SPARE PARTS KIT	

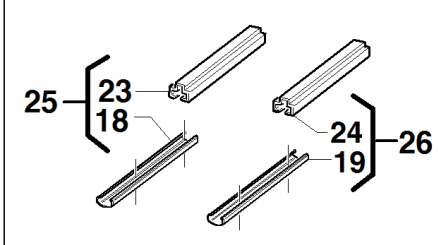
GTS



1

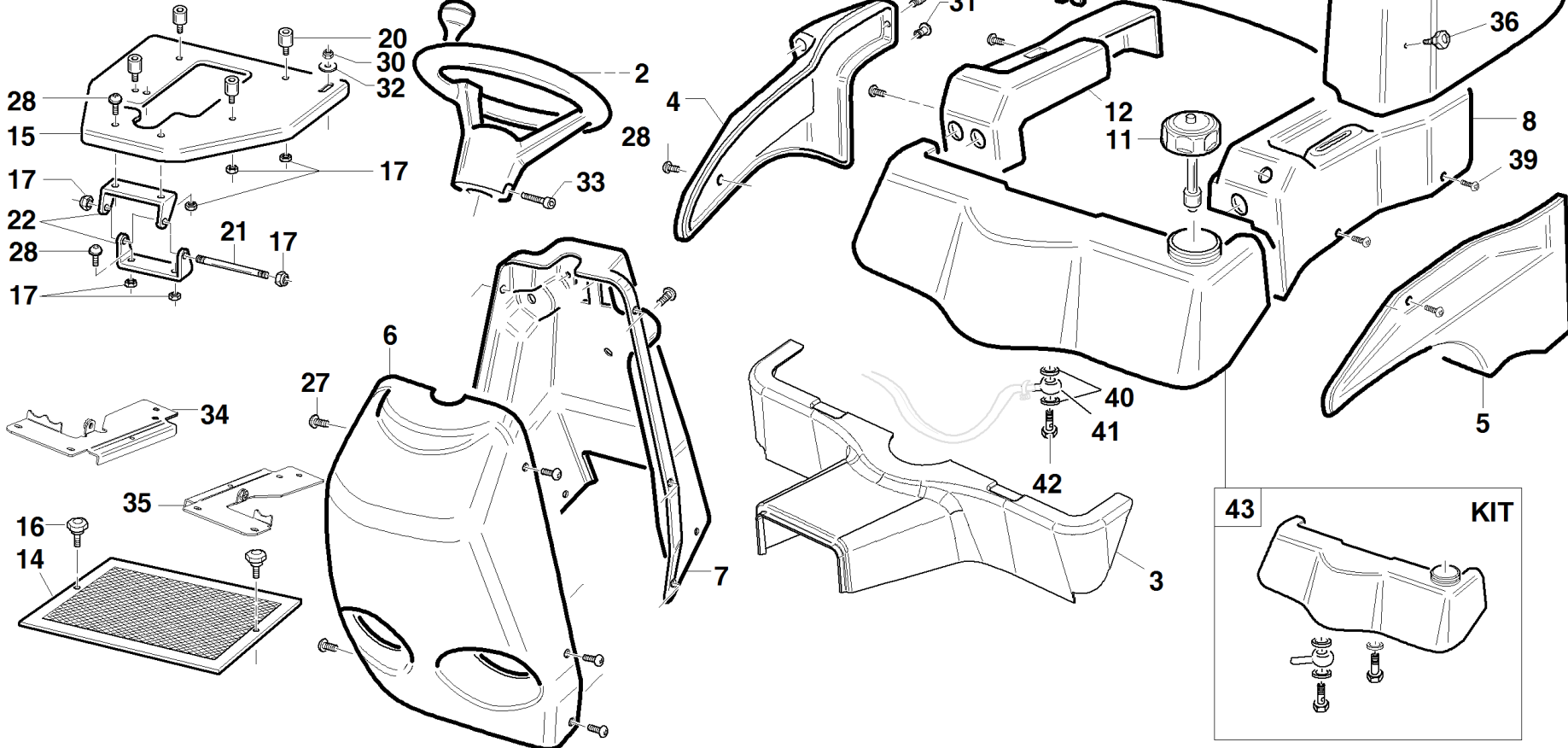
38

Solo per macchine con Rops
Only for a machine with Rops
Seulement pour machine avec Rops
Nur für Maschine mit Rops

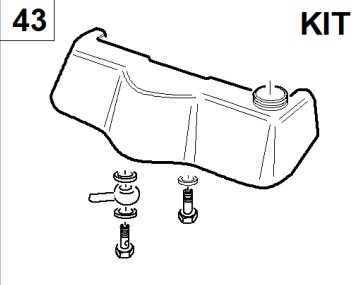


25 { **23**
18

24 } **26**
19



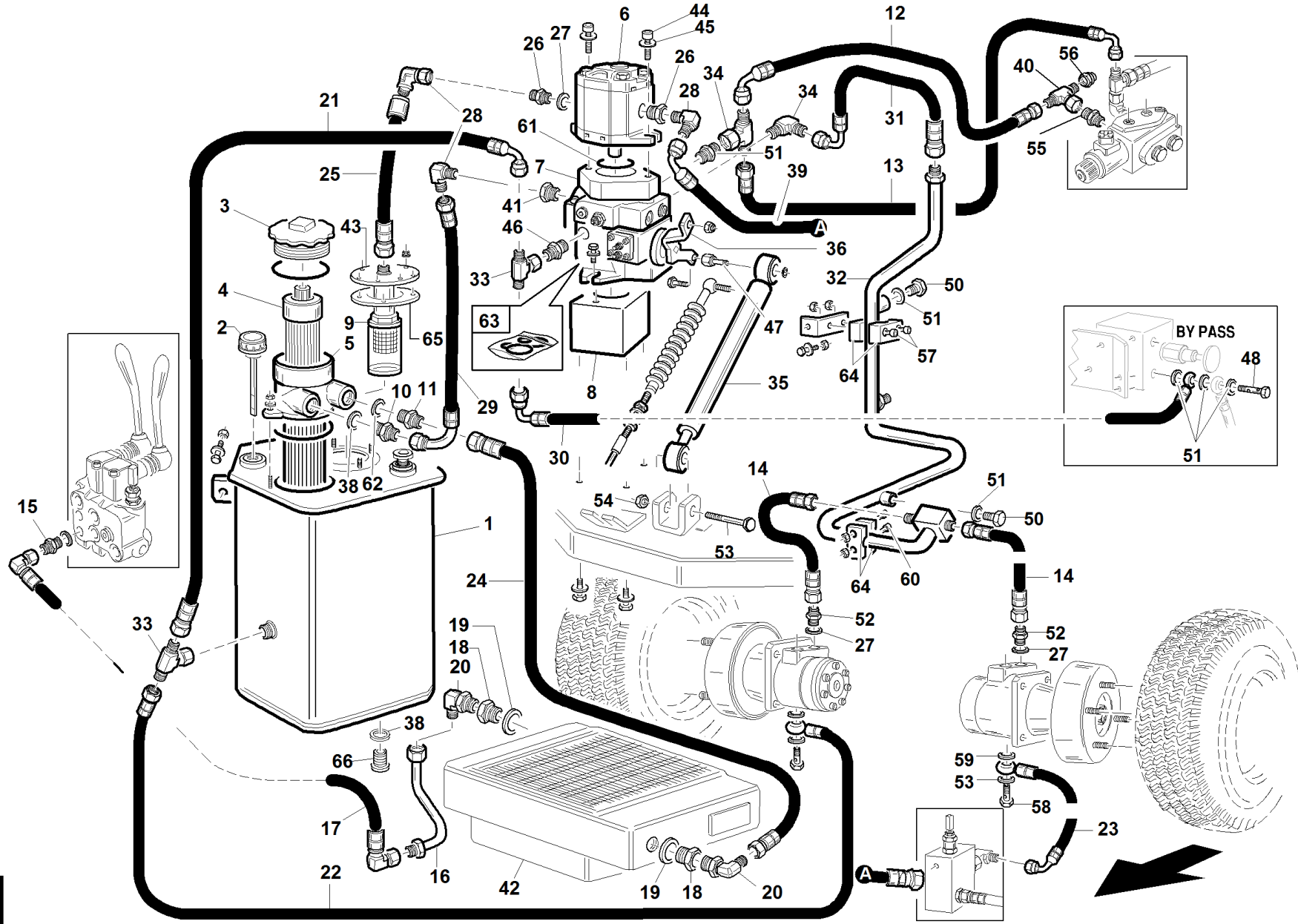
2 **3** **4** **5** **6** **7** **8** **9** **10** **11** **12** **14** **15** **16** **17** **20** **21** **22** **27** **28** **29** **30** **31** **32** **33** **34** **35** **36** **39** **40** **41** **42** **43**



43 **KIT**

#	P/N	DESCRIPTION	GTS
1	00777850027	COMPLETE SEAT "COBO" GTS	
2	00111970098	STEERING WHEEL	
3	92001320001	TUNNEL	
4	92001320006	RIGHT MUDGUARD	
5	92001320005	LEFT MUDGUARD	
6	94500000084	FRONT DASHBOARD RAL 3002	
7	94500000107	REAR DASHBOARD	
8	92001320004	LEFT BODY	
9	92001620000	B&S ENGINE HOOD	
10	00111970153	ENGINE-EXHAUST GRID	
11	00111970199	TANK PLUG WITH LEVEL	
12	92001320003	BODY RIGHT	
14	92001460000	GTS160/200 RADIATOR CLEAN.GRID	
15	94500000015	SEAT SUPPORT	
16	00111970133	KNOB M6X20	
17	00111000071	SELF BLO. NUT M8	
18	00777850029	LOWER RIGHT GUIDE-GTS-	
19	00777850028	LOWER LEFT GUIDE -GTS-	
20	00111970127	STOPPER M8 D30X20	
21	94500000066	HOOD HINGE PIN	
22	95500000003	SEAT SUPPORT HINGE	
23	00777850031	UPPER RIGHT GUIDE -GTS-	
24	00777850030	UPPER LEFT GUIDE -GTS-	
25	00777850033		
26	00777850032		
27	00111350009	SCREW AUTOFORF.4.2X13	
28	00111450003	SCREW WASHER M8X20	
29	94500000085	VALANCE PANEL PIN	
30	00111000095	SELF BLO. NUT M8	
31	00111970066	CABLE HOLDER D.I.9	
32	00111000132	WASHER P. 8,4X32X2,5 ZNT	
33	00111400015	ALLEN SCREW M6X40	
34	92001270000	CONSOLLE RIGHT SUPP.PLATE	
35	92001280000	CONSOLLE LEFT SUPP.PLATE	
36	00111970025	KNOB M8 MALE	
37	92006241000	GTS220D ENGINE HOOD	
38	00777851000	SAFETY BELT ASSEMBLING KIT	
39	00111450020	SCREW M8 X 16	
40	00777600001	WASHER COPPER 1/4	
41	00777600183	METAL EYELET 1/4	
42	00777600040	SIMPLE CABLE BOLT	
43	95598630000	GTS TANK SPARE PARTS KIT	

GTS



S/N
 → 1109011 ÷ 1309008 ←

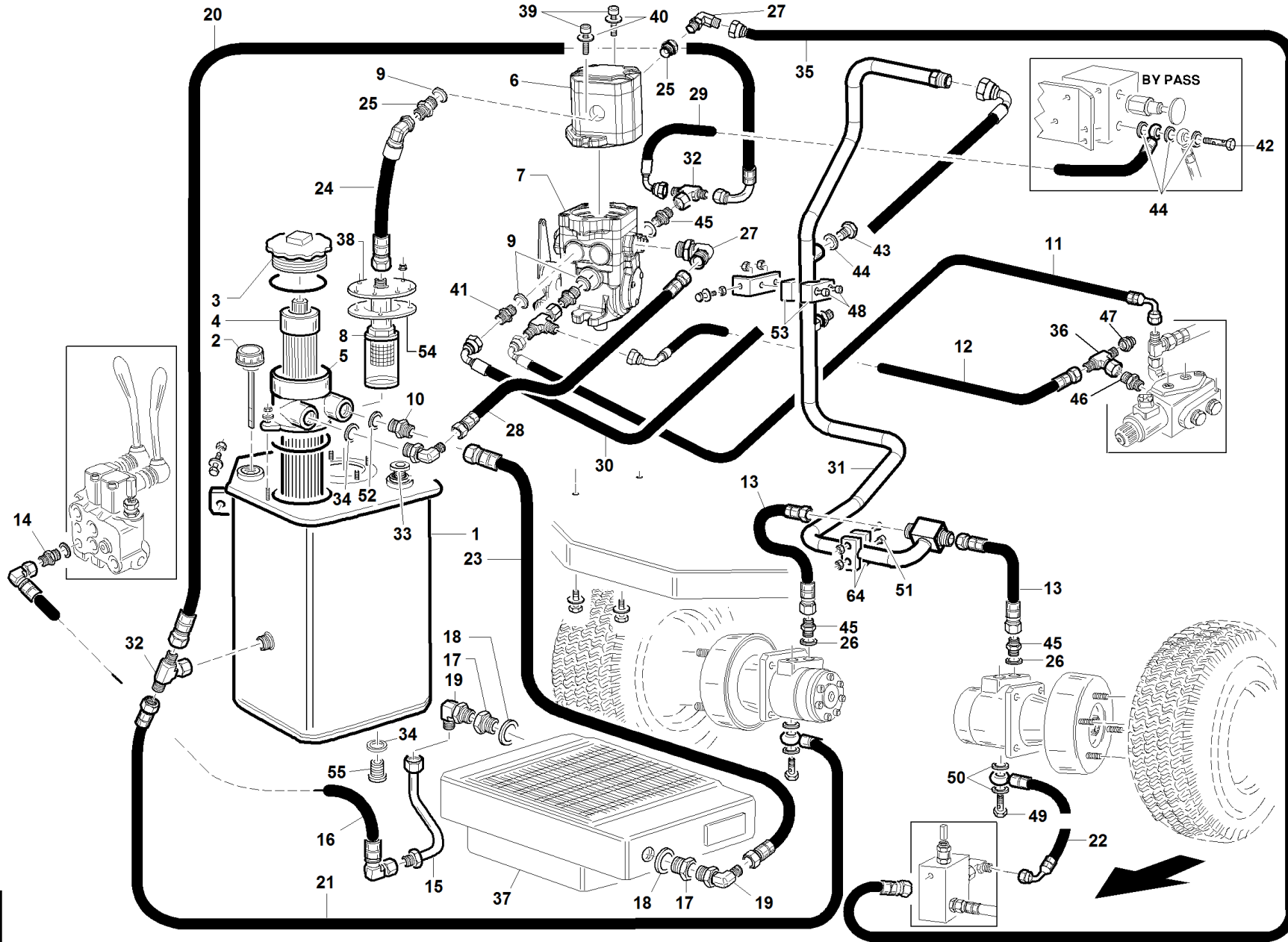
REF.02 - 00555501302

#	P/N	DESCRIPTION	GTS
1	92001140000	OIL TANK	
2	00777600176	PLUG WITH AIR VENT VALVE AND DIPSTICK	
3	95599000086	FILTER CAP	
4	00777650069	RETURN FILTER CARTRIDGE 12 MICRON	
5	91001000013	OIL FILTER 12 MICRO	
6	92001000001	HYDR. PUMP 11cc	
7	92001000006	PUMP MD10V 14	
8	92001000055	PUMP SUPPORT	
9	92001000008	250 MICRON PLUNGED FILTER	
10	00777600157	"NIPPLE 1""-3/4"	
11	00777600129	NIPPLE 3/4-3/4	
12	92002120005	HOSE 3/8 1SC F90°3/8-F3/8 L=1270	
13	92002120004	HOSE 3/8 1SC F90°3/8-F3/8 L=1080	
14	92002120007	HOSE 3/8 1SC F1/2-F1/2 L=600	
15	00777600135	NIPPLE 3/4-3/8	
16	92002120031	RADIATOR PIPE	
17	92002120015	HOSE 3/4 1SN N°2 F90°3/4 COMP L=260 140°	
18	00777600179	REDUCTION PLUG 3/4	
19	00777600159	"COPPER WASHER 1"""	
20	00777600134	ADAPTER 90° M/M 3/4 ADJUSTABLE	
21	92002120021	HOSE 5/8 1SN F1/2-F90° 1/2 L=770	
22	92002120011	HOSE 1/4 1SN OC1/4-F1/2 L=410	
23	92002120010	HOSE 1/4 1SN OC1/4-F90°3/8 L=720 90°	
24	92002120013	HOSE 3/4 1SN F3/4-F3/4 L=530	
25	92002120001	"HOSE 1"""	
26	00777600130	NIPPLE 3/4-1/2	
27	00777600117	"COPPER WASHER 1/2"""	
28	00777600124	ADAPTER 90° M/M 1/2 ADJUSTABLE	
29	92002120002	HOSE 5/8 1SN F1/2-F90°1/2 L=570	
30	92002120003	HOSE 3/8 1SN F90°1/2-OC1/4 L=800 135°	
31	92002120020	HOSE 1/2	
32	92003000001	RECOVERY TUBE Ø20X2.5	
33	00777600137	ADAPTER 1/2 ROTATING	
34	00777600115	MALE ELBOW 90° 3/8	
35	00777600177	DAMPER 400N (104 mm/s)	
36	92001430000	PUMP WORKING LEVER	
37	00777600193	KNURLED PLUG WITH OR	
38	00777600003	WASHER COPPER 3/8	
39	92002120008	HOSE 1/2 2SC F90°1/2-F90°1/2 L=560 90°	
40	00777600178	T-ADAPTER 3/8	
41	00777600164	NIPLES 1/2	
42	95599000057	GTS OIL COOLER	
43	92001150000	OIL SUCTION HOSE	
44	00111400010	SCREW M10X30 8.8 UNI 5931	
45	00111550005	WASHER M10	
46	00777600156	NIPPLE 1/2 - 3/8	
47	92001000044	DUMPER PIN	
48	00777600039	DOUBLE CABLE BOLT	
49	00777600038	WASHER BONDED 1/4	
50	00777600050	PLUG 1/4	
51	00777600001	WASHER COPPER 1/4	
52	00777600125	NIPPLE 1/2 - 1/2	
53	00111000129	SCREW UNI 5737	
54	00111000095	SELF BLO. NUT M8	
55	00777600015	NIPPLE 3/8	
56	00777600170	ROTATING CAP 3/8	
57	00111400015	ALLEN SCREW M6X40	
58	00777600040	SIMPLE CABLE BOLT	
59	00777600181	ALLUMINIUM WASHER 1/4	

P/N DESCRIPTION GTS

60	00111400040	ALLEN SCREW TCEI M6 X 30
61	00777230021	OR RING D=2.62 - Di=82.22
62	00777600159	"COPPER WASHER 1""
63	95598400000	PUMP MD10V 14/18 SEAL KIT
64	00111990123	PLASTIC COLLAR Ø20
65	92001000042	IMMERSED FILTER GASKET
66	00777600155	PLUG 3/8

GTS



S/N
→1310001

REF.02 - 00555501346

#	P/N	DESCRIPTION	GTS
1	92001140000	OIL TANK	
2	00777600176	"IN PRESSURING PLUG 0.25BAR 3/4"" LMAX=41"	
3	95599000086	FILTER CAP	
4	00777650069	RETURN FILTER CARTRIDGE 12 MICRON	
5	91001000013	OIL FILTER 12 MICRO	
6	92001000001	HYDR. PUMP 11cc	
7	92006000002		
8	92001000008	250 MICRON PLUNGED FILTER	
9	00777600128	WASHER 1/2	
10	00777600129	NIPPLE 3/4-3/4	
11	92002120005	HOSE 3/8 1SC F90°3/8-F3/8 L=1270	
12	92002120004	HOSE 3/8 1SC F90°3/8-F3/8 L=1080	
13	92002120007	HOSE 3/8 1SC F1/2-F1/2 L=600	
14	00777600135	NIPPLE 3/4-3/8	
15	92002120031	RADIATOR PIPE	
16	92002120015	HOSE 3/4 1SN N°2 F90°3/4 COMP L=260 140°	
17	00777600179	REDUCTION PLUG 3/4	
18	00777600159	"COPPER WASHER 1""	
19	00777600134	ADAPTER 90° M/M 3/4 ADJUSTABLE	
20	92002120021	HOSE 5/8 1SN F1/2-F90° 1/2 L=770	
21	92002120011	HOSE 1/4 1SN OC1/4-F1/2 L=410	
22	92002120010	HOSE 1/4 1SN OC1/4-F90°3/8 L=720 90°	
23	92002120013	HOSE 3/4 1SN F3/4-F3/4 L=530	
24	92011110001	"HYDRAULIC PIPE 1"" F1""-F90°3/4 L=325"	
25	00777600130	NIPPLE 3/4-1/2	
26	00777600117	"COPPER WASHER 1/2""	
27	00777600124	ADAPTER 90° M/M 1/2 ADJUSTABLE	
28	92011110003	HYDRAULIC PIPE 5/8 F1/2-F1/2 L=285	
29	92011110005	HYDRAULIC PIPE 3/8 F90°1/2-OC1/4 L=900 1	
30	92011110002	HYDRAULIC PIPE 1/2 2SC F90°1/2-F90°1/2 L	
31	92013000001	RETURN HYDRAULIC PIPE Ø20X2.5	
32	00777600137	ADAPTER 1/2 ROTATING	
33	00777600193		
34	00777600003	WASHER COPPER 3/8	
35	92011110004	HYDRAULIC PIPE 1/2 F90°3/8-F90°1/2 L=295	
36	00777600178	T-ADAPTER 3/8	
37	95599000057		
38	92001150000	OIL SUCTION HOSE	
39	00111400010	SCREW M10X30 8.8 UNI 5931	
40	00111550005	WASHER M10	
41	00777600156	NIPPLE 1/2 - 3/8	
42	00777600039	DOUBLE CABLE BOLT	
43	00777600050	PLUG 1/4	
44	00777600001	WASHER COPPER 1/4	
45	00777600125	NIPPLE 1/2 - 1/2	
46	00777600015	NIPPLE 3/8	
47	00777600170	ROTATING CAP 3/8	
48	00111400015	ALLEN SCREW M6X40	
49	00777600040	SIMPLE CABLE BOLT	
50	00777600181	ALLUMINIUM WASHER 1/4	
51	00111400040	ALLEN SCREW TCEI M6 X 30	
52	00777600159	"COPPER WASHER 1""	
53	00111990123	PLASTIC COLLAR Ø20	
54	92001000042	IMMERSED FILTER GASKET	
55	00777600155	PLUG 3/8	

#	P/N	DESCRIPTION	GTS
1	92001140000	OIL TANK	
2	00777600176	"IN PRESSURING PLUG 0.25BAR 3/4"" LMAX=41"	
3	95599000086	FILTER CAP	
4	00777650069	RETURN FILTER CARTRIDGE 12 MICRON	
5	91001000013	OIL FILTER 12 MICRO	
6	92001000001	HYDR. PUMP 11cc	
7	92001000006	PUMP MD10V 14	
8	92001000055	PUMP SUPPORT	
9	92001000008	250 MICRON PLUNGED FILTER	
10	00777600157	"NIPPLE 1""-3/4"	
11	00777600129	NIPPLE 3/4-3/4	
12	92002120005	HOSE 3/8 1SC F90°3/8-F3/8 L=1270	
13	92002120004	HOSE 3/8 1SC F90°3/8-F3/8 L=1080	
14	92002120007	HOSE 3/8 1SC F1/2-F1/2 L=600	
15	00777600135	NIPPLE 3/4-3/8	
16	92002120031	RADIATOR PIPE	
17	92002120015	HOSE 3/4 1SN N°2 F90°3/4 COMP L=260 140°	
18	00777600179	REDUCTION PLUG 3/4	
19	00777600159	"COPPER WASHER 1"""	
20	00777600134	ADAPTER 90° M/M 3/4 ADJUSTABLE	
21	92002120021	HOSE 5/8 1SN F1/2-F90° 1/2 L=770	
22	92002120011	HOSE 1/4 1SN OC1/4-F1/2 L=410	
23	92002120010	HOSE 1/4 1SN OC1/4-F90°3/8 L=720 90°	
24	92002120013	HOSE 3/4 1SN F3/4-F3/4 L=530	
25	92002120001	"HOSE 1"""	
26	00777600130	NIPPLE 3/4-1/2	
27	00777600117	"COPPER WASHER 1/2"""	
28	00777600124	ADAPTER 90° M/M 1/2 ADJUSTABLE	
29	92002120002	HOSE 5/8 1SN F1/2-F90°1/2 L=570	
30	92002120003	HOSE 3/8 1SN F90°1/2-OC1/4 L=800 135°	
31	92002120020	HOSE 1/2	
32	92003000001	RECOVERY TUBE Ø20X2.5	
33	00777600137	ADAPTER 1/2 ROTATING	
34	00777600115	MALE ELBOW 90° 3/8	
35	00777600177	DAMPER 400N (104 mm/s)	
36	92001430000	PUMP WORKING LEVER	
37	00777600193		
38	00777600003	WASHER COPPER 3/8	
39	92002120008	HOSE 1/2 2SC F90°1/2-F90°1/2 L=560 90°	
40	00777600178	T-ADAPTER 3/8	
41	00777600164	NIPLES 1/2	
42	95599000057		
43	92001150000	OIL SUCTION HOSE	
44	00111400010	SCREW M10X30 8.8 UNI 5931	
45	00111550005	WASHER M10	
46	00777600156	NIPPLE 1/2 - 3/8	
47	92001000044	DUMPER PIN	
48	00777600039	DOUBLE CABLE BOLT	
49	00777600038	WASHER BONDED 1/4	
50	00777600050	PLUG 1/4	
51	00777600001	WASHER COPPER 1/4	
52	00777600125	NIPPLE 1/2 - 1/2	
53	00111000129	SCREW UNI 5737	
54	00111000095	SELF BLO. NUT M8	
55	00777600015	NIPPLE 3/8	
56	00777600170	ROTATING CAP 3/8	
57	00111400015	ALLEN SCREW M6X40	
58	00777600040	SIMPLE CABLE BOLT	
59	00777600181	ALLUMINIUM WASHER 1/4	

#

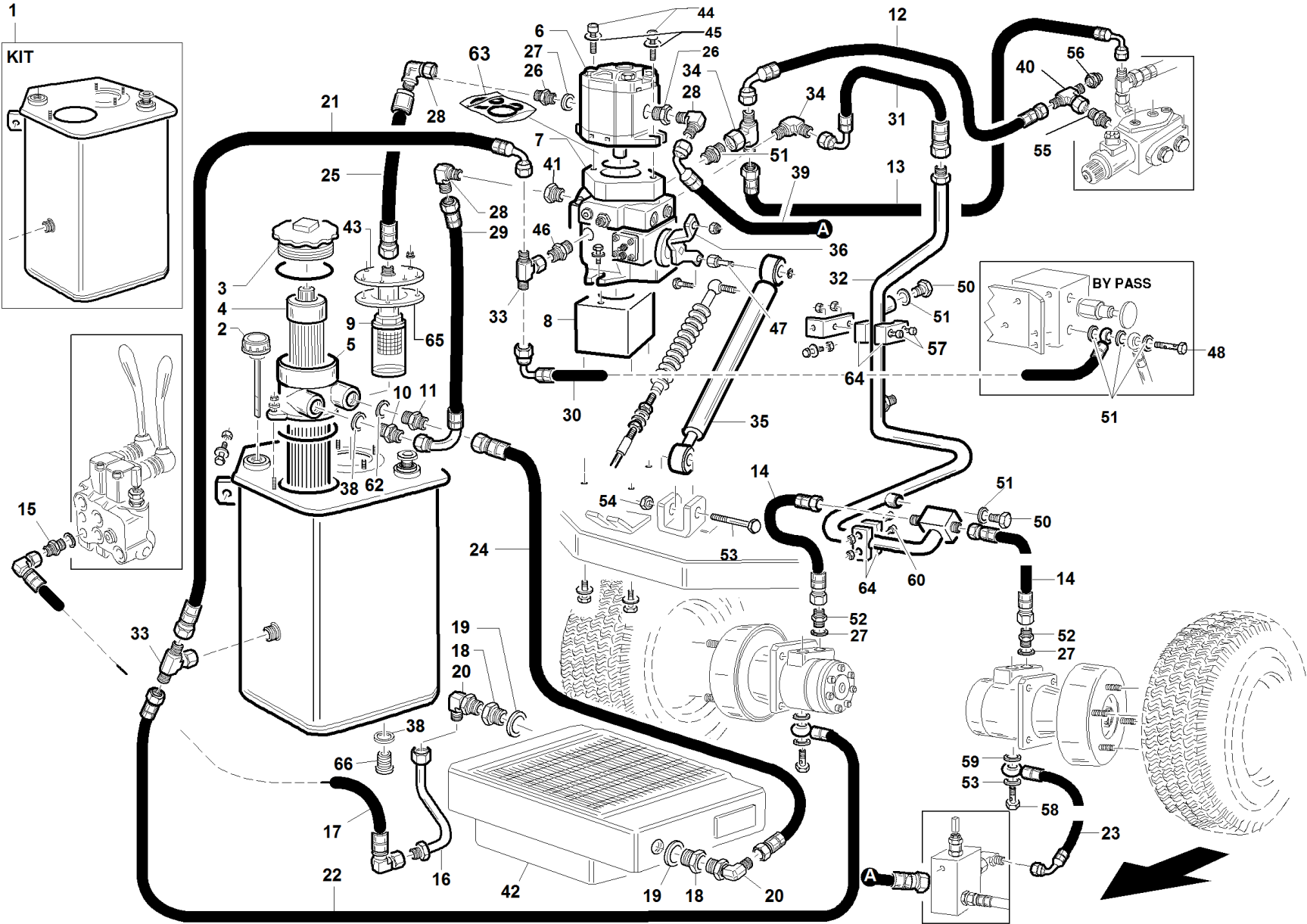
P/N

DESCRIPTION

GTS

60	00111400040	ALLEN SCREW TCEI M6 X 30
62	00777600159	"COPPER WASHER 1""
63	95598400000	PUMP MD10V 14/18 SEAL KIT
64	00111990123	PLASTIC COLLAR Ø20
65	92001000042	IMMERSED FILTER GASKET
66	00777600155	PLUG 3/8

GTS



S/N

→ **0811001 ÷ 1109010** ←

REF.02 - 00555501339

#	P/N	DESCRIPTION	GTS
1	95597100000		
2	00777600176	"IN PRESSURING PLUG 0.25BAR 3/4"" LMAX=41"	
3	95599000086	FILTER CAP	
4	00777650069	RETURN FILTER CARTRIDGE 12 MICRON	
5	91001000013	OIL FILTER 12 MICRO	
6	92001000001	HYDR. PUMP 11cc	
7	92001000006	PUMP MD10V 14	
8	92001000055	PUMP SUPPORT	
9	92001000008	250 MICRON PLUNGED FILTER	
10	00777600157	"NIPPLE 1""-3/4"	
11	00777600129	NIPPLE 3/4-3/4	
12	92002120005	HOSE 3/8 1SC F90°3/8-F3/8 L=1270	
13	92002120004	HOSE 3/8 1SC F90°3/8-F3/8 L=1080	
14	92002120007	HOSE 3/8 1SC F1/2-F1/2 L=600	
15	00777600135	NIPPLE 3/4-3/8	
16	92002120031	RADIATOR PIPE	
17	92002120015	HOSE 3/4 1SN N°2 F90°3/4 COMP L=260 140°	
18	00777600179	REDUCTION PLUG 3/4	
19	00777600159	"COPPER WASHER 1"""	
20	00777600134	ADAPTER 90° M/M 3/4 ADJUSTABLE	
21	92002120021	HOSE 5/8 1SN F1/2-F90° 1/2 L=770	
22	92002120011	HOSE 1/4 1SN OC1/4-F1/2 L=410	
23	92002120010	HOSE 1/4 1SN OC1/4-F90°3/8 L=720 90°	
24	92002120013	HOSE 3/4 1SN F3/4-F3/4 L=530	
25	92002120001	"HOSE 1"""	
26	00777600130	NIPPLE 3/4-1/2	
27	00777600117	"COPPER WASHER 1/2"""	
28	00777600124	ADAPTER 90° M/M 1/2 ADJUSTABLE	
29	92002120002	HOSE 5/8 1SN F1/2-F90°1/2 L=570	
30	92002120003	HOSE 3/8 1SN F90°1/2-OC1/4 L=800 135°	
31	92002120020	HOSE 1/2	
32	92003000001	RECOVERY TUBE Ø20X2.5	
33	00777600137	ADAPTER 1/2 ROTATING	
34	00777600115	MALE ELBOW 90° 3/8	
35	00777600177	DAMPER 400N (104 mm/s)	
36	92001430000	PUMP WORKING LEVER	
37	00777600193		
38	00777600003	WASHER COPPER 3/8	
39	92002120008	HOSE 1/2 2SC F90°1/2-F90°1/2 L=560 90°	
40	00777600178	T-ADAPTER 3/8	
41	00777600164	NIPLES 1/2	
42	95599000057		
43	92001150000	OIL SUCTION HOSE	
44	00111400010	SCREW M10X30 8.8 UNI 5931	
45	00111550005	WASHER M10	
46	00777600156	NIPPLE 1/2 - 3/8	
47	92001000044	DUMPER PIN	
48	00777600039	DOUBLE CABLE BOLT	
49	00777600038	WASHER BONDED 1/4	
50	00777600050	PLUG 1/4	
51	00777600001	WASHER COPPER 1/4	
52	00777600125	NIPPLE 1/2 - 1/2	
53	00111000129	SCREW UNI 5737	
54	00111000095	SELF BLO. NUT M8	
55	00777600015	NIPPLE 3/8	
56	00777600170	ROTATING CAP 3/8	
57	00111400015	ALLEN SCREW M6X40	
58	00777600040	SIMPLE CABLE BOLT	
59	00777600181	ALLUMINIUM WASHER 1/4	

#

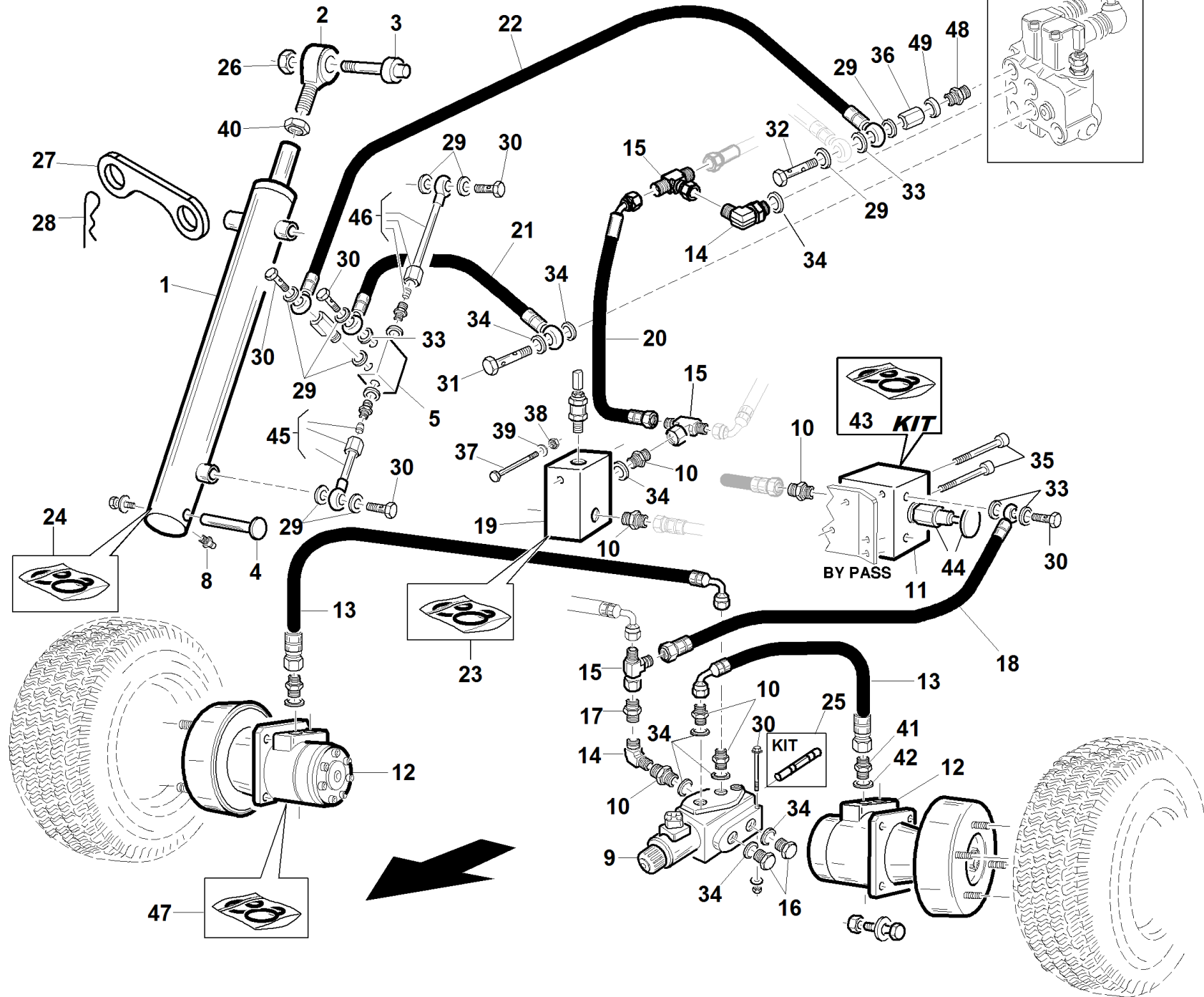
P/N

DESCRIPTION

GTS

60	00111400040	ALLEN SCREW TCEI M6 X 30
62	00777600159	"COPPER WASHER 1""
63	95598400000	PUMP MD10V 14/18 SEAL KIT
64	00111990123	PLASTIC COLLAR Ø20
65	92001000042	IMMERSED FILTER GASKET
66	00777600155	PLUG 3/8

GTS - 2WD

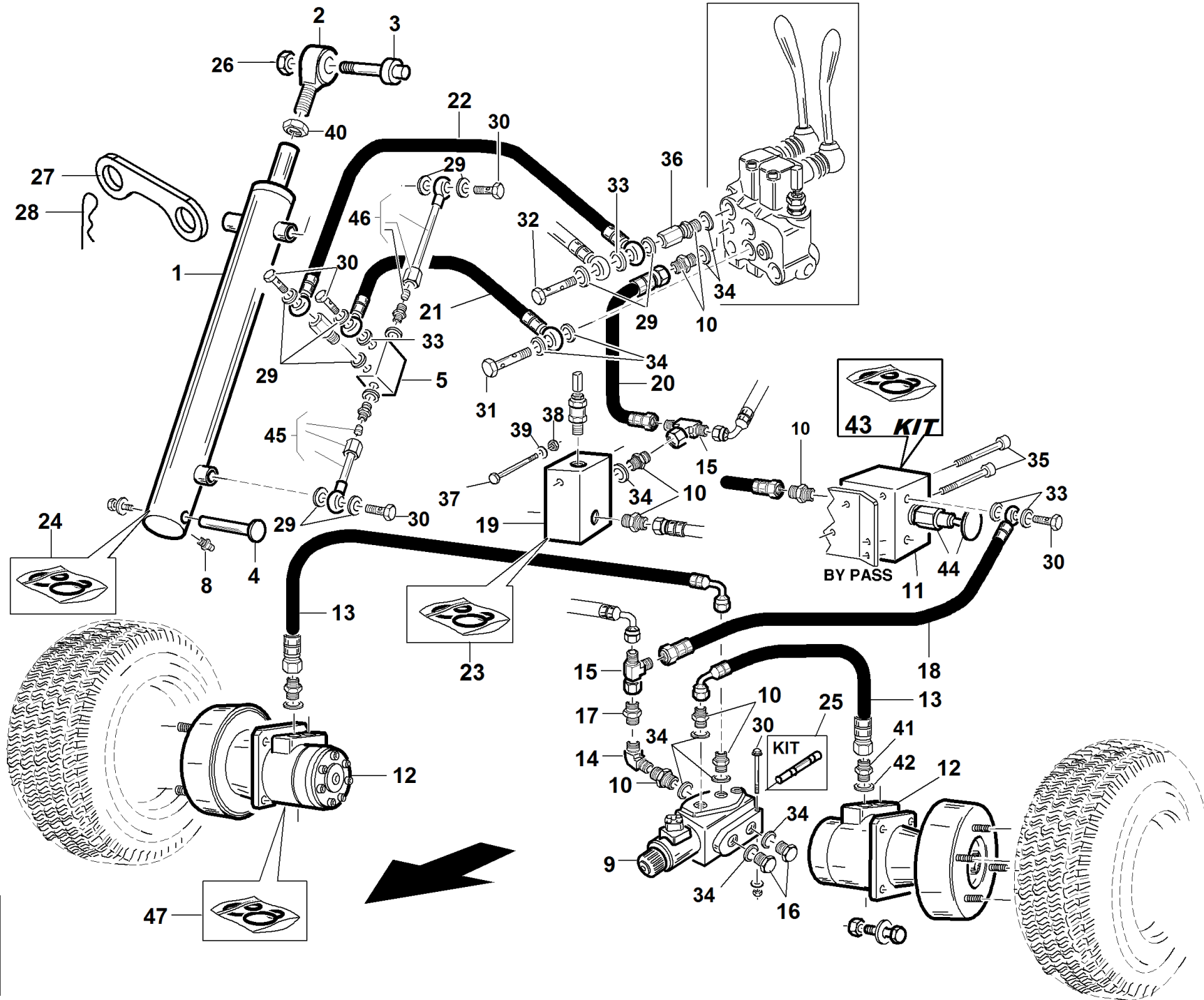


S/N
→ 1409003

REF.03 - 00555501356

1	92001000013	HOPPER LIFTING CYLINDER
2	00777200016	BIG END OF THE CONNECTING ROD TM14
3	92001000046	CYLINDER FIXING SCREW
4	92001000034	HIGH DUMP CYLINDER PIN
5	00777601700	SIMPLE BLOCK VALVE
8	00111000036	GREASER M6
9	91001000004	DIFFERENTIAL INTERLOCK VALVE Ø3mm
10	00777600015	NIPPLE 3/8
11	91004000001	BY-PASS VALVE BLOCK
12	92001000060	FRONT WHEEL HYDR. MOTOR ARS160
13	92002120006	HOSE 3/8 1SC F1/2-F90°3/8 L=870
14	00777600115	MALE ELBOW 90° 3/8
15	00777600178	T-ADAPTER 3/8
16	00777600155	PLUG 3/8
17	00777600170	ROTATING CAP 3/8
18	92002120016	HOSE 1/4 1SC OC1/4-F3/8 L=910
19	92001000003	BLOCK VALVE 250BAR
20	92011150002	HYDRAULIC PIPE 3/8 1SC F3/8 - F45° 3/8
21	92002120025	HOSE 1/4 1SN OC1/4-OC1/4 L=990 90°
22	92002120024	HOSE 1/4 1SN OC1/4-OC3/8 L=990 90°
23	95598390000	MAX 250BAR VALVE GASKET KIT
24	95598500000	GTS HIGH DUMP CYL.GASKET KIT
25	95598410000	KIT DIFFERENTIAL LOCK SPOOL
26	00111250005	SELF BL. NUT M14
27	92001000047	CYLINDER LOCKING BRACKET
28	00111000175	""R"" SPLIT PIN D.4 UNI 8833"
29	00777600001	WASHER COPPER 1/4
30	00777600040	SIMPLE CABLE BOLT
31	00777600133	DOUBLE CABLE BOLT
32	00777600039	DOUBLE CABLE BOLT
33	00777600038	WASHER BONDED 1/4
34	00777600003	WASHER COPPER 3/8
35	00111400043	SCREW TCEI M8X85 8.8
36	00777600138	EXTENSION 1/4 L=35
37	00777600087	HOSE R1 L=1350
38	00111000183	SELF BL. NUT M5
39	00111500014	PLAIN WASHER 5,3X10X1
40	00111150019	NUT M14 UNI 5589
41	00777600125	NIPPLE 1/2 - 1/2
42	00777600117	"COPPER WASHER 1/2""
43	95598600000	HTC 2WD VALVE OIL SEALS KIT
44	95599000092	VALVE MCD 28/2202-PBFB
45	00777602100	BLOCK VALVE TUBE
46	00777602000	VALVE PIPE
47	95598700000	ARS WHEEL MOTOR OIL SEALS KIT
48	00777600190	THROTTLE NIPPLE 1/4 - 3/8
49	00777600181	ALLUMINIUM WASHER 1/4

GTS - 2WD

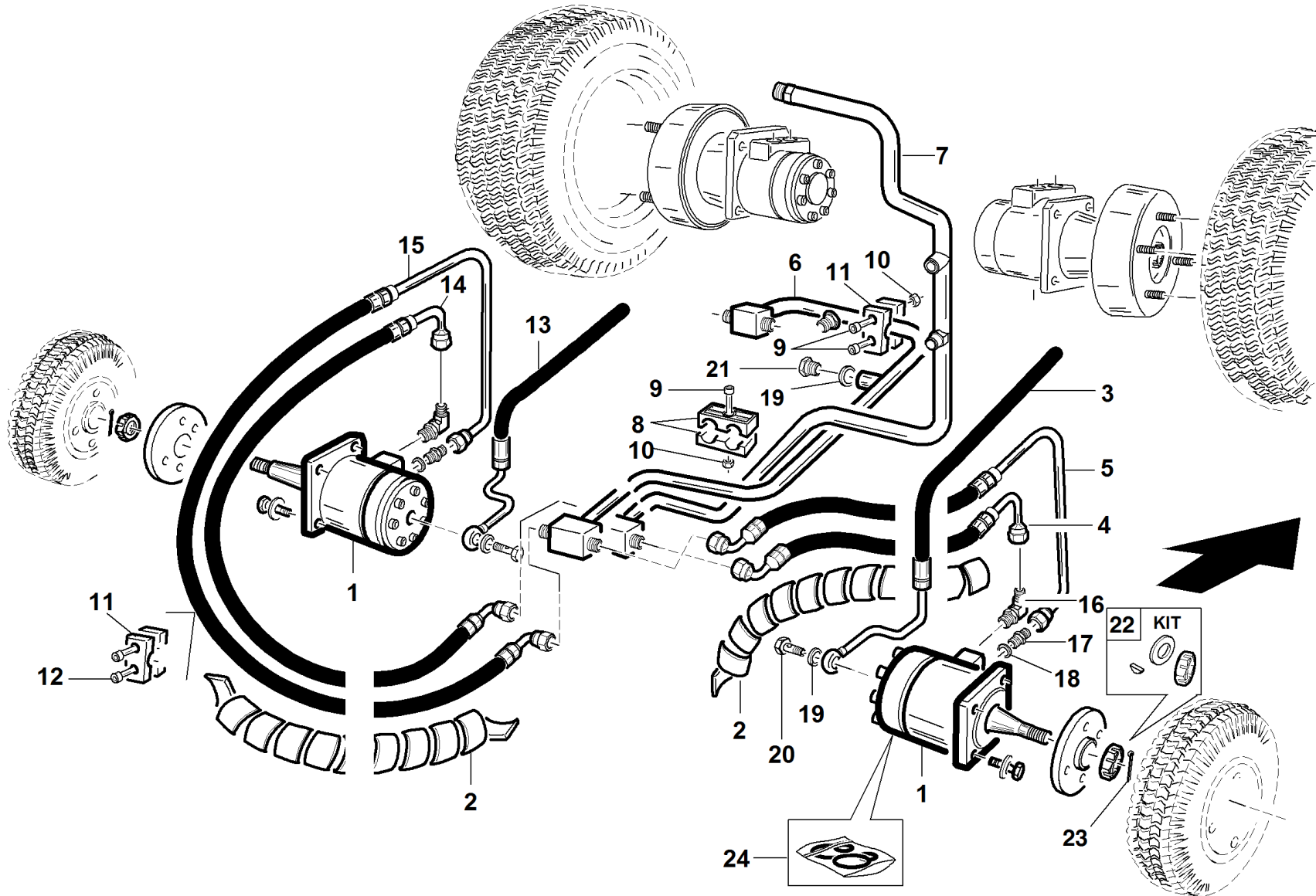


S/N
→1103002

REF.03 - 00555501336

1	92001000013	HOPPER LIFTING CYLINDER		
2	00777200016	BIG END OF THE CONNECTING ROD TM14		
3	92001000046	CYLINDER FIXING SCREW		
4	92001000034	HIGH DUMP CYLINDER PIN		
5	00777601700	SIMPLE BLOCK VALVE		
8	00111000036	GREASER M6		
9	91001000004	DIFFERENTIAL INTERLOCK VALVE Ø3mm		
10	00777600015	NIPPLE 3/8		
11	91004000001	BY-PASS VALVE BLOCK		
12	92001000060	FRONT WHEEL HYDR. MOTOR ARS160		
13	92002120006	HOSE 3/8 1SC F1/2-F90°3/8 L=870		
14	00777600115	MALE ELBOW 90° 3/8		
15	00777600178	T-ADAPTER 3/8		
16	00777600155	PLUG 3/8		
17	00777600170	ROTATING CAP 3/8		
18	92002120016	HOSE 1/4 1SC OC1/4-F3/8 L=910		
19	92001000003	BLOCK VALVE 250BAR		
20	92002120012	HOSE 3/8 1SN F3/8-F3/8 L=480		
21	92002120025	HOSE 1/4 1SN OC1/4-OC1/4 L=990 90°		
22	92002120024	HOSE 1/4 1SN OC1/4-OC3/8 L=990 90°		
23	95598390000	MAX 250BAR VALVE GASKET KIT		
24	95598500000	GTS HIGH DUMP CYL.GASKET KIT		
25	95598410000	KIT DIFFERENTIAL LOCK SPOOL		
26	00111250005	SELF BL. NUT M14		
27	92001000047	CYLINDER LOCKING BRACKET		
28	00111000175	PIN "R" D.4		
29	00777600001	WASHER COPPER 1/4		
30	00777600040	SIMPLE CABLE BOLT		
31	00777600133	DOUBLE CABLE BOLT		
32	00777600039	DOUBLE CABLE BOLT		
33	00777600038	WASHER BONDED 1/4		
34	00777600003	WASHER COPPER 3/8		
35	00111400043	SCREW TCEI M8X85 8.8		
36	00777600138	EXTENSION 1/4 L=35		
37	00777600087	HOSE R1 L=1350		
38	00111000183	SELF BL. NUT M5		
39	00111500014			
40	00111150019	NUT M14 6S		
41	00777600125	NIPPLE 1/2 - 1/2		
42	00777600117	COPPER WASHER 1/2"		
43	95598600000			
44	95599000092	VALVE MCD 28/2202-PBFB		
45	00777602100	BLOCK VALVE TUBE		
46	00777602000	VALVE PIPE		
47	95598700000	ARS WHEEL MOTOR OIL SEALS KIT		

1	92001000013	HOPPER LIFTING CYLINDER		
2	00777200016	BIG END OF THE CONNECTING ROD TM14		
3	92001000046	CYLINDER FIXING SCREW		
4	92001000034	HIGH DUMP CYLINDER PIN		
5	00777601700	SIMPLE BLOCK VALVE		
8	00111000036	GREASER M6		
9	91001000004	DIFFERENTIAL INTERLOCK VALVE Ø3mm		
10	00777600015	NIPPLE 3/8		
11	91004000001	BY-PASS VALVE BLOCK		
12	92001000005	REAR WHEEL HYDR.MOTOR ARS 130		
13	92002120006	HOSE 3/8 1SC F1/2-F90°3/8 L=870		
14	00777600115	MALE ELBOW 90° 3/8		
15	00777600178	T-ADAPTER 3/8		
16	00777600155	PLUG 3/8		
17	00777600170	ROTATING CAP 3/8		
18	92002120016	HOSE 1/4 1SC OC1/4-F3/8 L=910		
19	92001000003	BLOCK VALVE 250BAR		
20	92002120012	HOSE 3/8 1SN F3/8-F3/8 L=480		
21	92002120025	HOSE 1/4 1SN OC1/4-OC1/4 L=990 90°		
22	92002120024	HOSE 1/4 1SN OC1/4-OC3/8 L=990 90°		
23	95598390000	MAX 250BAR VALVE GASKET KIT		
24	95598500000	GTS HIGH DUMP CYL.GASKET KIT		
25	95598410000	KIT DIFFERENTIAL LOCK SPOOL		
26	00111250005	SELF BL. NUT M14		
27	92001000047	CYLINDER LOCKING BRACKET		
28	00111000175	PIN "R" D.4		
29	00777600001	WASHER COPPER 1/4		
30	00777600040	SIMPLE CABLE BOLT		
31	00777600133	DOUBLE CABLE BOLT		
32	00777600039	DOUBLE CABLE BOLT		
33	00777600038	WASHER BONDED 1/4		
34	00777600003	WASHER COPPER 3/8		
35	00111400043	SCREW TCEI M8X85 8.8		
36	00777600138	EXTENSION 1/4 L=35		
37	00777600087	HOSE R1 L=1350		
38	00111000183	SELF BL. NUT M5		
39	00111500014			
40	00111150019	NUT M14 6S		
41	00777600125	NIPPLE 1/2 - 1/2		
42	00777600117	COPPER WASHER 1/2"		
43	95598600000			
44	95599000092	VALVE MCD 28/2202-PBFB		
45	00777602100	BLOCK VALVE TUBE		
46	00777602000	VALVE PIPE		
47	95598700000	ARS WHEEL MOTOR OIL SEALS KIT		



S/N
→1310001

REF.04 - 00555501351

#

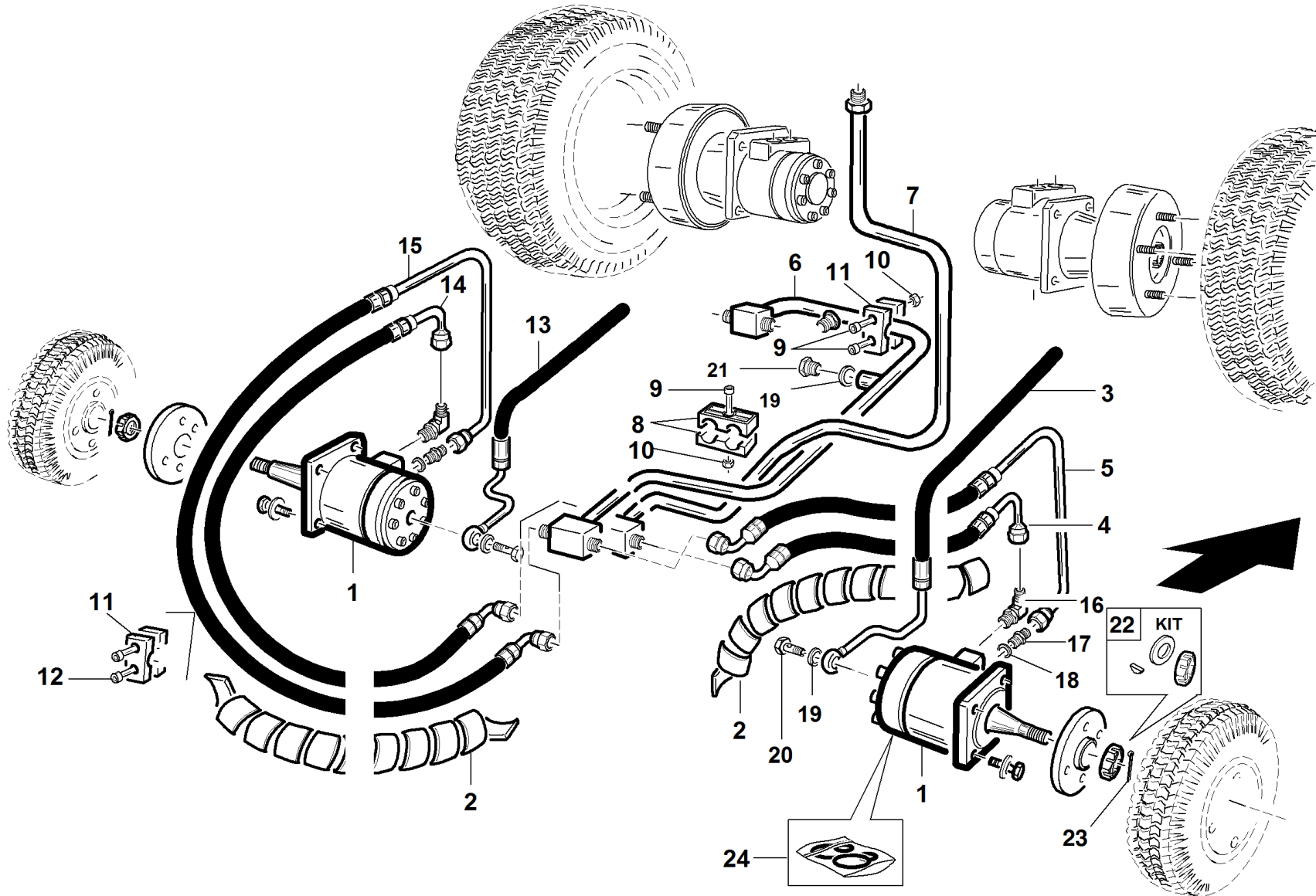
P/N

DESCRIPTION

GTS - 4WD

REF. 04 - 00555501351

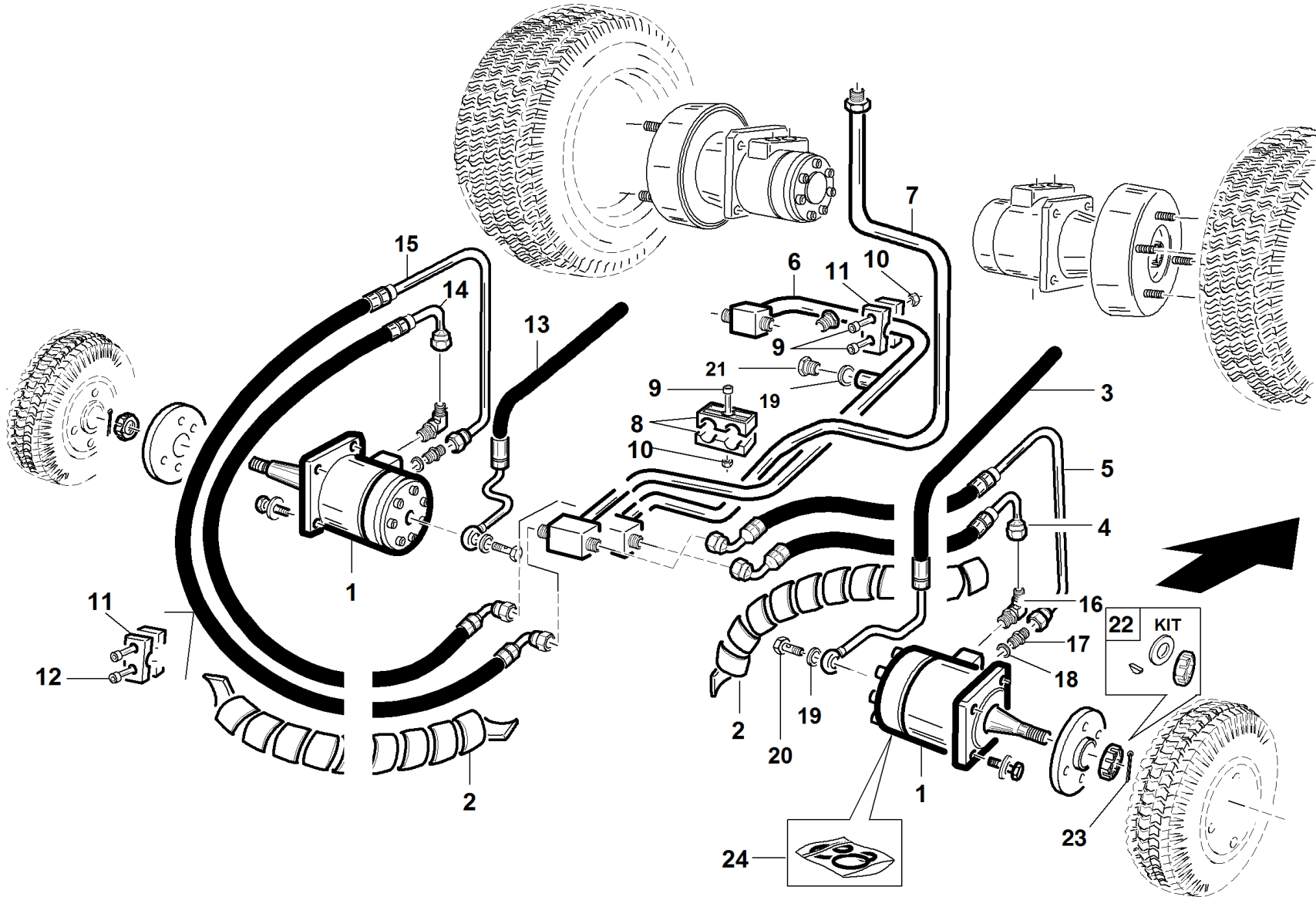
1	92002000012	REAR WHEEL HYDR. MOTOR ARS100
2	92002000011	BLACK SPIRAL D. 27 L=400mm
3	92012100002	RH WHEEL MOTOR DRAINAGE HOSE
4	92002000004	RIGHT WHEEL ENGINE HOSE
5	92002000005	RIGHT WHEEL ENGINE HOSE
6	92002000002	CENTRAL HOSE Ø20X2.5
7	92012100003	REAR MOTORS OIL RETURN HOSE
8	00111990109	PLASTIC COLLAR
9	00111400027	ALLEN SCREW M8X50
10	00111250018	"NUT ""CONEKLOK"" M8"
11	00111990121	PLASTIC COLLAR
12	00111400021	ALLEN SCREW M8X20
13	92012100001	LH WHEEL MOTOR DRAINAGE HOSE
14	92002000009	LEFT WHEEL ENGINE TUBE
15	92002000010	LEFT WHEEL ENGINE TUBE
16	00777600124	ADAPTER 90° M/M 1/2 ADJUSTABLE
17	00777600015	NIPPLE 3/8
18	00777600003	WASHER COPPER 3/8
19	00777600001	WASHER COPPER 1/4
20	00777600040	SIMPLE CABLE BOLT
21	00777600050	PLUG 1/4
22	95598470000	NUT-WASHER-TONGUA KIT
23	00111000177	PIN 4X40
24	95598700000	ARS WHEEL MOTOR OIL SEALS KIT



S/N
→1103002

REF.04 - 00555501334

1	92002000012	REAR WHEEL HYDR. MOTOR ARS100		
2	92002000011	BLACK SPIRAL D. 27 L=400mm		
3	92002000006	RIGHT WHEEL ENGINE HOSE		
4	92002000004	RIGHT WHEEL ENGINE HOSE		
5	92002000005	RIGHT WHEEL ENGINE HOSE		
6	92002000002	CENTRAL HOSE Ø20X2.5		
7	92002000003	RECOVERY TUBE Ø20X2.5		
8	00111990109	PLASTIC COLLAR		
9	00111400027	ALLEN SCREW M8X50		
10	00111250018	NUT "CONEKLOK" M8		
11	00111990121	PLASTIC COLLAR		
12	00111400021	ALLEN SCREW M8X20		
13	92002000007	LEFT WHEEL ENGINE TUBE		
14	92002000009	LEFT WHEEL ENGINE TUBE		
15	92002000010	LEFT WHEEL ENGINE TUBE		
16	00777600124	ADAPTER 90° M/M 1/2 ADJUSTABLE		
17	00777600015	NIPPLE 3/8		
18	00777600003	WASHER COPPER 3/8		
19	00777600001	WASHER COPPER 1/4		
20	00777600040	SIMPLE CABLE BOLT		
21	00777600050	PLUG 1/4		
22	95598470000	NUT-WASHER-TONGUA KIT		
23	00111000177	PIN 4X40		
24	95598700000	ARS WHEEL MOTOR OIL SEALS KIT		

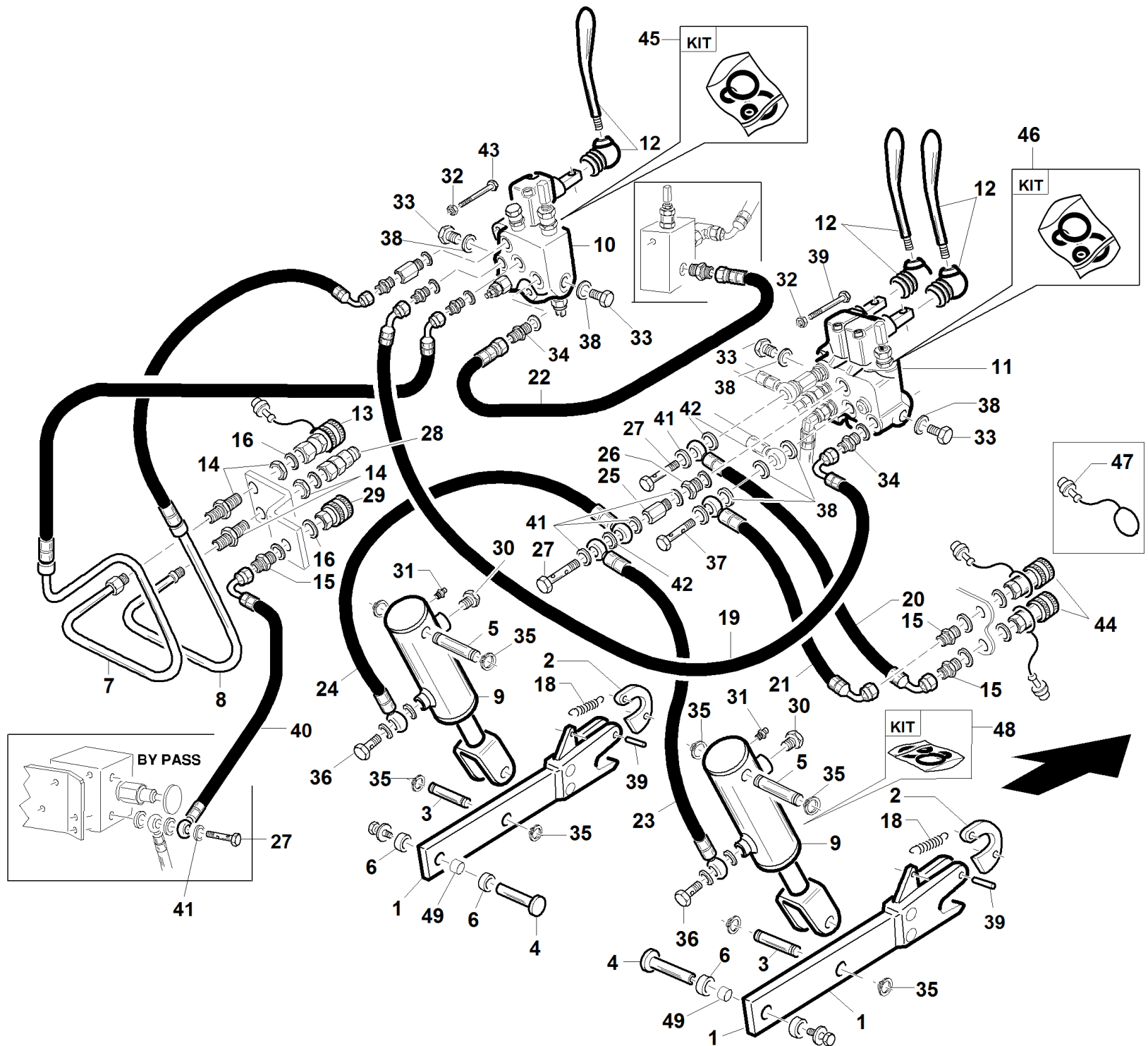


S/N

→ **0811001 ÷ 1103001** ←

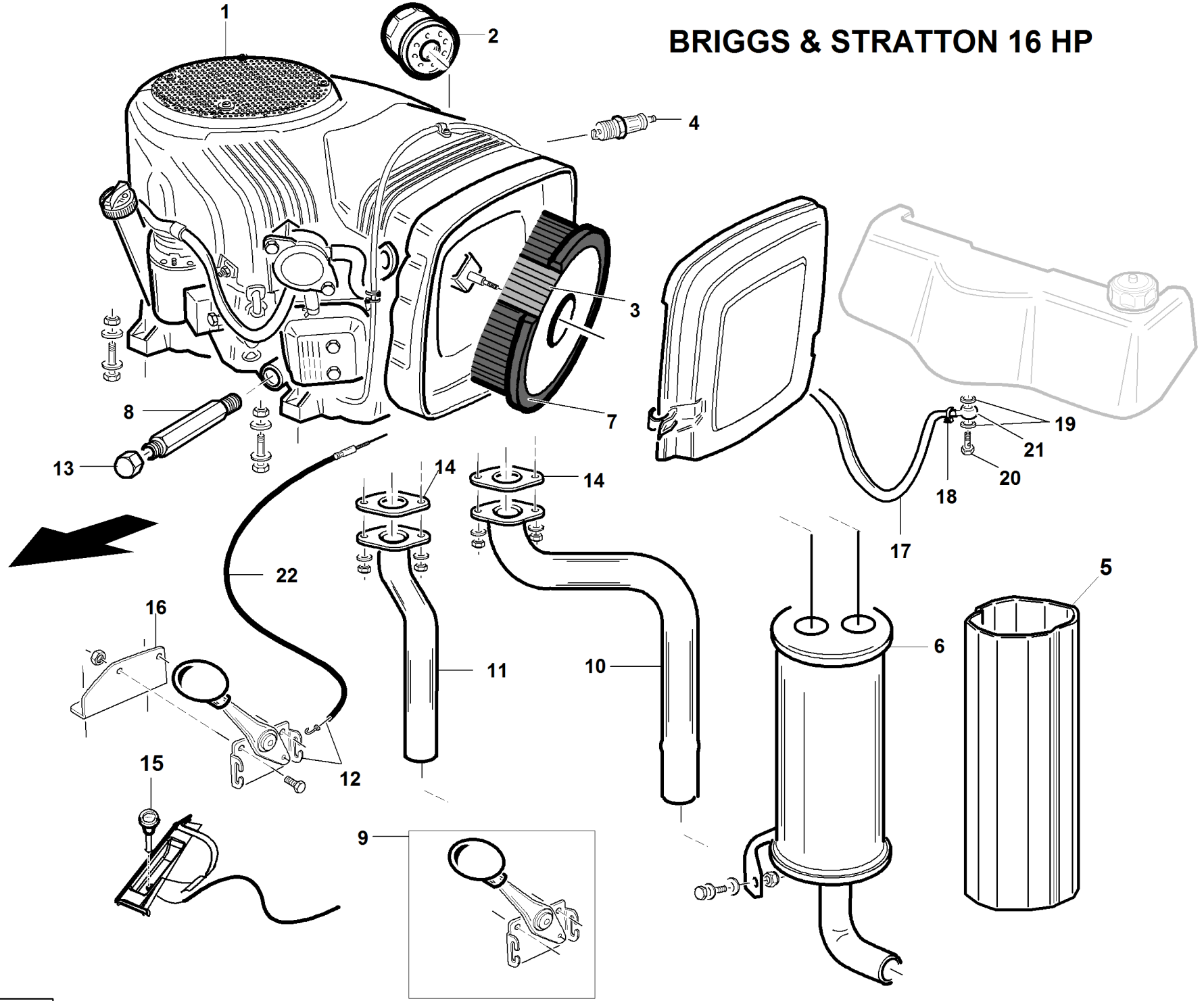
REF.04 - 00555501304

#	P/N	DESCRIPTION	GTS - 4WD	REF. 04 - 00555501304
1	92002000001	REAR WHEEL HYDR.MOTOR ARS 80		
2	92002000011	BLACK SPIRAL D. 27 L=400mm		
3	92002000006	RIGHT WHEEL ENGINE HOSE		
4	92002000004	RIGHT WHEEL ENGINE HOSE		
5	92002000005	RIGHT WHEEL ENGINE HOSE		
6	92002000002	CENTRAL HOSE Ø20X2.5		
7	92002000003	RECOVERY TUBE Ø20X2.5		
8	00111990109	PLASTIC COLLAR		
9	00111400027	ALLEN SCREW M8X50		
10	00111250018	NUT "CONEKLOK" M8		
11	00111990121	PLASTIC COLLAR		
12	00111400021	ALLEN SCREW M8X20		
13	92002000007	LEFT WHEEL ENGINE TUBE		
14	92002000009	LEFT WHEEL ENGINE TUBE		
15	92002000010	LEFT WHEEL ENGINE TUBE		
16	00777600124	ADAPTER 90° M/M 1/2 ADJUSTABLE		
17	00777600015	NIPPLE 3/8		
18	00777600003	WASHER COPPER 3/8		
19	00777600001	WASHER COPPER 1/4		
20	00777600040	SIMPLE CABLE BOLT		
21	00777600050	PLUG 1/4		
22	95598470000	NUT-WASHER-TONGUA KIT		
23	00111000177	PIN 4X40		
24	95598700000	ARS WHEEL MOTOR OIL SEALS KIT		



#	P/N	DESCRIPTION	GTS
1	92001260000	DECK LIFTING ARM	
2	91001000033	SHAFT BLOCK	
3	92001000032	CYLINDER FORK-PIN	
4	91001000018	LIFTING PIN L=52	
5	92001000033	DECK-LIFTING CYLINDER PIN	
6	91001000035	LIFR ARM SPACER	
7	92002120029	RECOVERY TUBE FOR PTO Ø20X2.5	
8	92002120028	ENTRY HOSE PTO Ø20X2.5	
9	92001581000	FRONT LIFTING CYLINDER GTS	
10	91001000010	PTO CONTROL DISTRIBUTOR	
11	92001000002	DISTRIBUTOR	
12	95599000054	DISTRIBUTOR WORKING LEVEL	
13	00777600160	FEMALE RAPID ATTACHMENT 1/2"	
14	00777600164	NIPLES 1/2	
15	00777600100	EXTENSION M/M 1/4 L=35	
16	00777600001	WASHER COPPER 1/4	
18	95001000055	TRACTION DISC SPRING	
19	92002120014	HOSE 1/2	
20	92002120026	HOSE 1/4 1SN OC1/4-F90° 1/4L=390 90°	
21	92002120027	HOSE 1/4 1SN OC3/8-F90° 1/4 L=430 90°	
22	92002120009	HOSE 1/2	
23	92002120023	HOSE 1/4 1SN OC1/4-OC1/4 L=805 0°	
24	92002120022	HOSE 1/4 1SN OC1/4-OC1/4 L=570 135°	
25	00777600138	EXTENSION 1/4 L=35	
26	00777600147	NIPPLE 1/4-3/8 2 ORIFICE	
27	00777600039	DOUBLE CABLE BOLT	
28	00777600161	MALE RAPID ATTACHMENT 1/2"	
29	00777600162	FEMALE RAPID ATTACHMENT 1/4	
30	00777600051	VENT PLUG	
31	00111000036	GREASER M6	
32	00111000095	SELF BLO. NUT M8	
33	00777600155	PLUG 3/8	
34	00777600156	NIPPLE 1/2 - 3/8	
35	00111000057	SNAP RING D.20 E	
36	00777600040	SIMPLE CABLE BOLT	
37	00777600133	DOUBLE CABLE BOLT	
38	00777600003	WASHER COPPER 3/8	
39	00111700006	PIN EL D.6X28	
40	92002120018	HOSE 1/4 1SN OC1/4-F45° 1/4 L=1440 45°	
41	00777600015	NIPPLE 3/8	
42	00777600038	WASHER BONDED 1/4	
43	00111300015	SCREW TE M8X55	
44	00777600102	FEMALE RAPID ATTACHMENT 1/4	
45	95598750000	PTO DISTRIBUTOR GASKET KIT	
46	95598760000	DISTRIBUTOR GASKET KIT	
47	00111970229	TAPPO INNESTO RAPIDO FEMMINA 1/4	
48	95598960000	OIL GASKETS KIT FOR GTS LIFTING CILINDER	
49	00111530008	BUSHING FRIMET TFP 20X22X15	

GTS



#

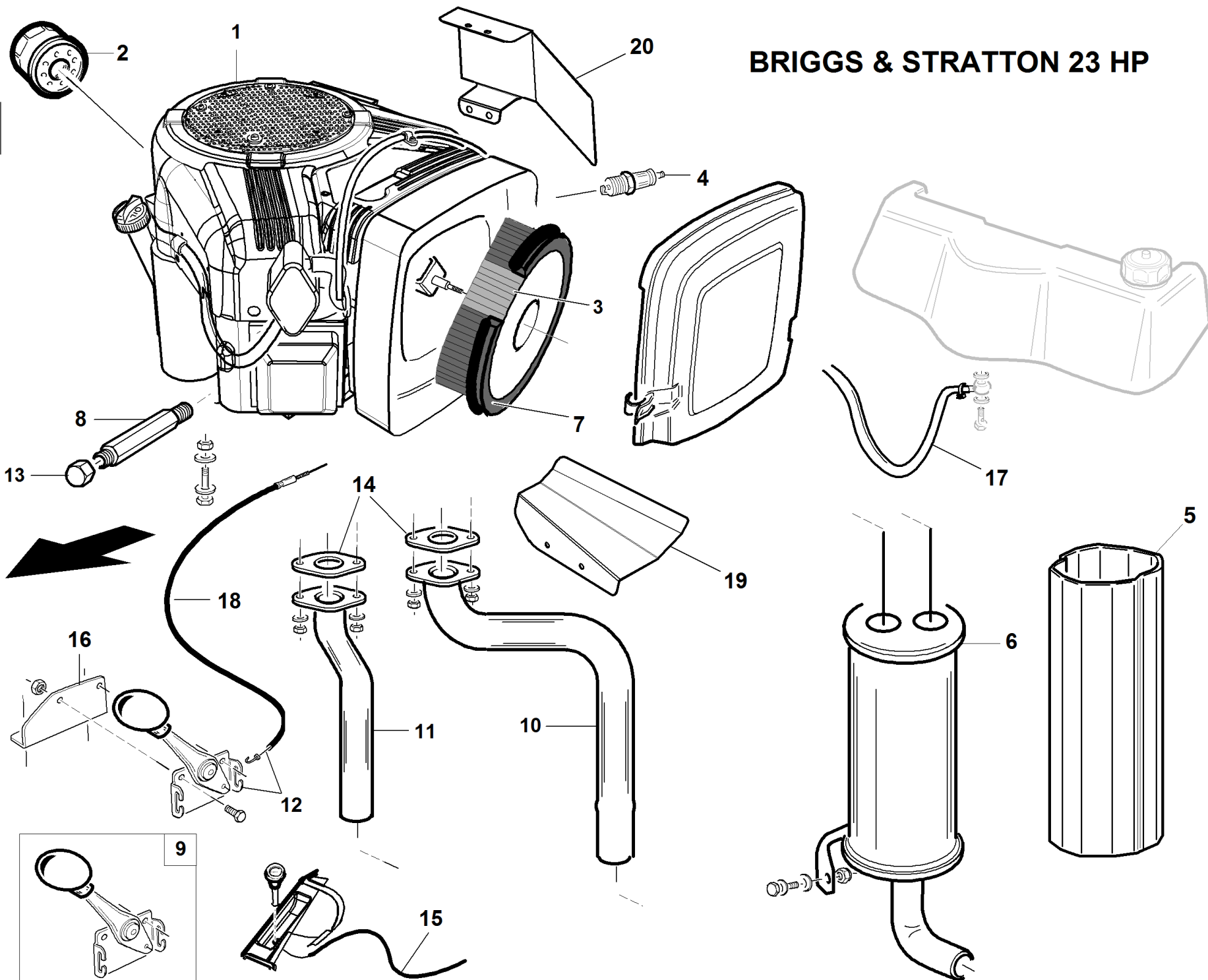
P/N

DESCRIPTION

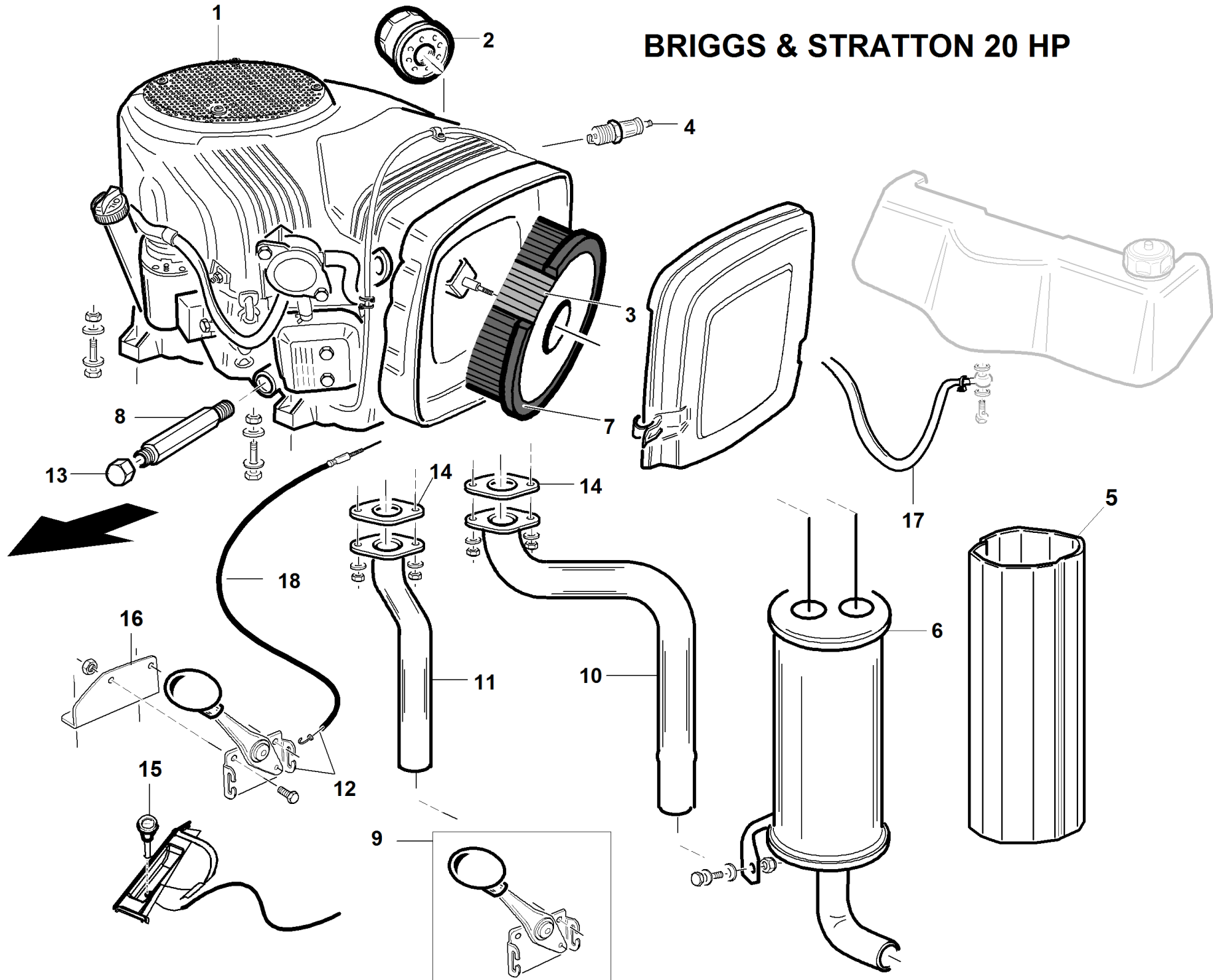
GTS

REF. 06 - 00555501306

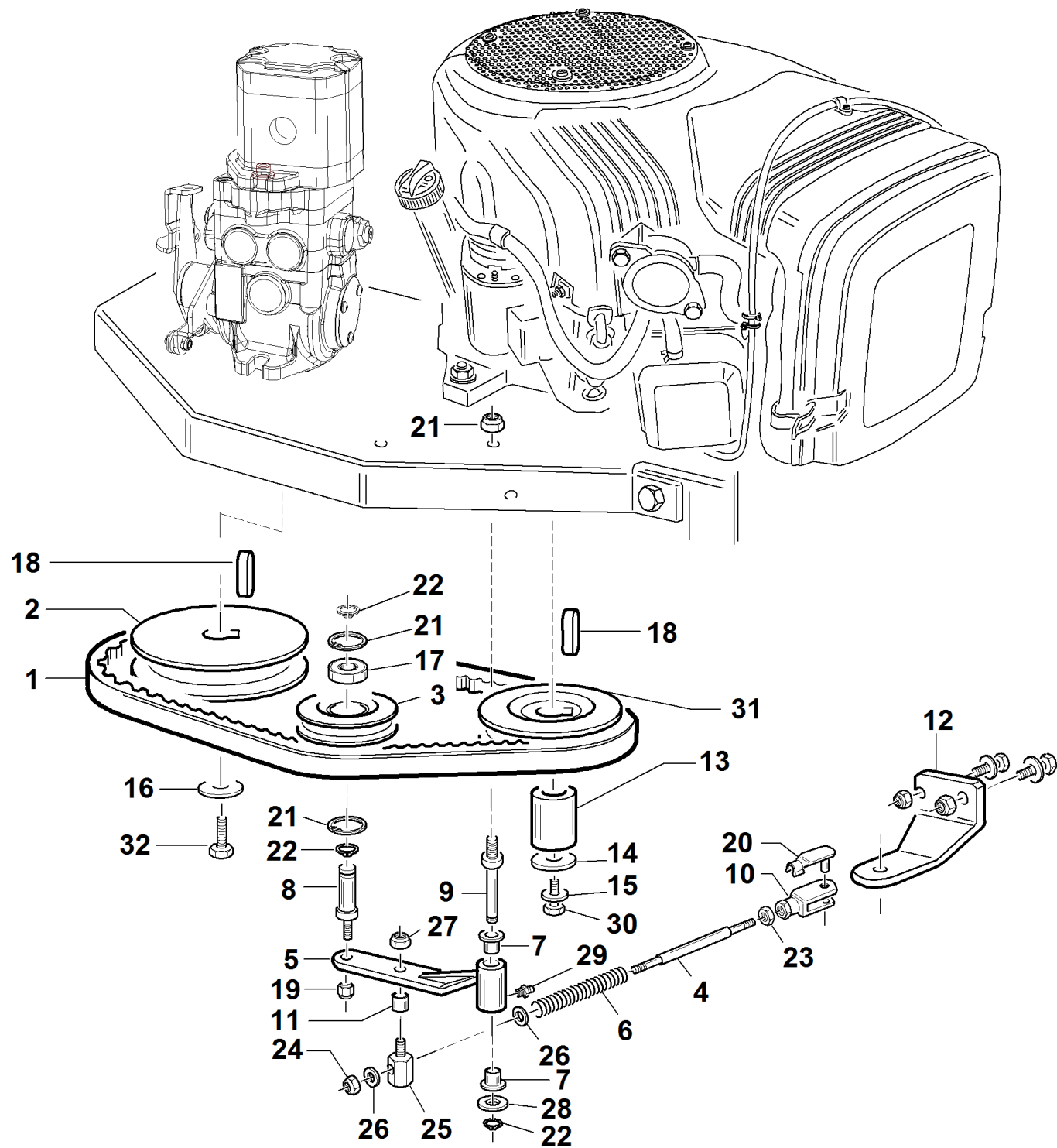
1	00777700032	B&S 16HP TWIN-CYLINDER ENGINE	
2	00777650001	OIL FILTER 9/18 HP	
3	00777650002	AIR FILTER CARTRIDGE	
4	00777750001	SPARK PLUG 491055	
5	92001470000	EXHAUST PROTECTION COMPL.	
6	92001300000	GTS160/200 EXHAUST KIT	
7	00777650003	B&S 16HP PRE-FILTER	
8	92001000056	OIL RELIEFG EXTENSION	
9	00111990104	THROTTLE LEVER WITH BLACK KNOB	
10	92001300003	EXHAUST COLLECTOR	
11	92001300002	EXHAUST COLLECTOR	
12	92001200000	LEVER WITH CABLE	
13	00777600170	ROTATING CAP 3/8	
14	00111990009	EXHAUST GASKET	
15	92001000029	STARTER CABLE	
16	94500000042	ACCELERATOR SUPPORT	
17	92001000059		
18	00111810010	CLAMP 10-16 TYPE NORMA	
19	00777600001	WASHER COPPER 1/4	
20	00777600040	SIMPLE CABLE BOLT	
21	00777600183	METAL EYELET 1/4	
22	92001200001		



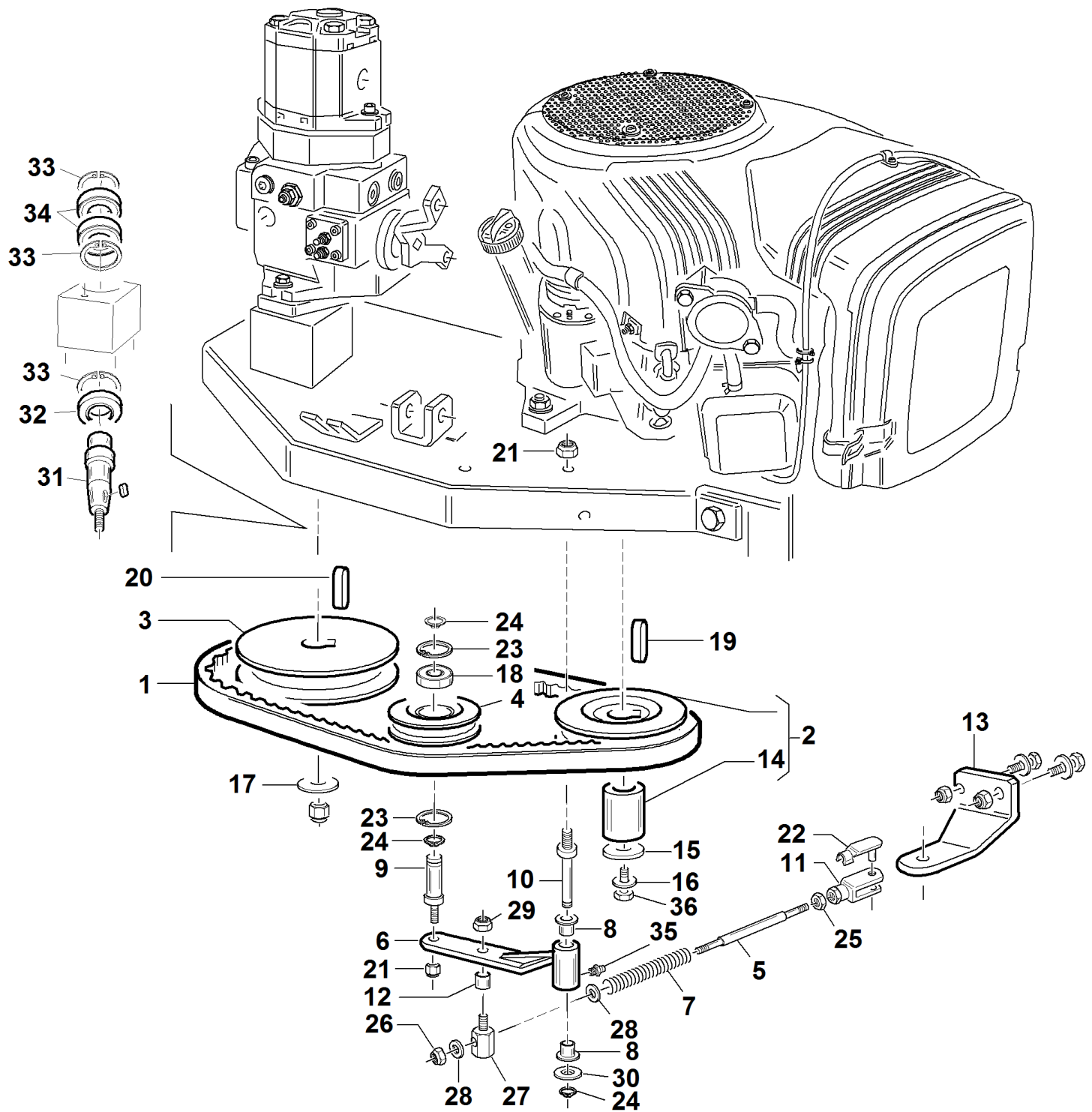
#	P/N	DESCRIPTION	GTS
1	00777700038	B&S 23HP VERTICAL SHAFT ENGINE	
2	00777650001	OIL FILTER 9/18 HP	
3	00777650070	B&S 20HP FILTER CARTRIDGE	
4	00777750001	SPARK PLUG 491055	
5	92001470000	EXHAUST PROTECTION COMPL.	
6	92001300001	GTS PETROL ENGINE MUFFLER	
7	00777650071	B&S 20HP PRE-FILTER	
8	92001000056	OIL RELIEFG EXTENSION	
9	00111990104	THROTTLE LEVER WITH BLACK KNOB	
10	92011140001	REAR EXAHUST MANIFOLD	
11	92011140002	FRONT EXAHUST MANIFOLD	
12	92001200000	LEVER WITH CABLE	
13	00777600170	ROTATING CAP 3/8	
14	00111990148	B&S 21-23HP EXHAUST GASKET	
15	92001000029	STARTER CABLE	
16	92001000041	ACCELERATOR LEVER SUPPORT	
17	92001000059		
18	92001200001		
19	92011000004	EXHAUST MANIFOLD HEAT COVER	
20	92011000005	OIL COOLER HEAT COVER	



#	P/N	DESCRIPTION	GTS
1	00777700033	B&S 20HP TWIN-CYLINDER ENGINE	
2	00777650001	OIL FILTER 9/18 HP	
3	00777650070	B&S 20HP FILTER CARTRIDGE	
4	00777750001	SPARK PLUG 491055	
5	92001470000	EXHAUST PROTECTION COMPL.	
6	92001300000	GTS160/200 EXHAUST KIT	
7	00777650071	B&S 20HP PRE-FILTER	
8	92001000056	OIL RELIEFG EXTENSION	
9	00111990104	THROTTLE LEVER WITH BLACK KNOB	
10	92001300003	EXHAUST COLLECTOR	
11	92001300002	EXHAUST COLLECTOR	
12	92001200000	LEVER WITH CABLE	
13	00777600170	ROTATING CAP 3/8	
14	00111990009	EXHAUST GASKET	
15	92001000029	STARTER CABLE	
16	92001000041	ACCELERATOR LEVER SUPPORT	
17	92001000059		
18	92001200001		

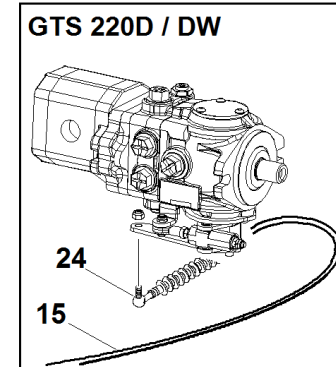
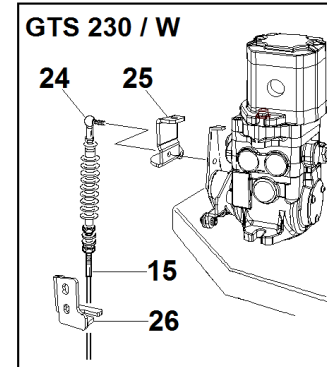
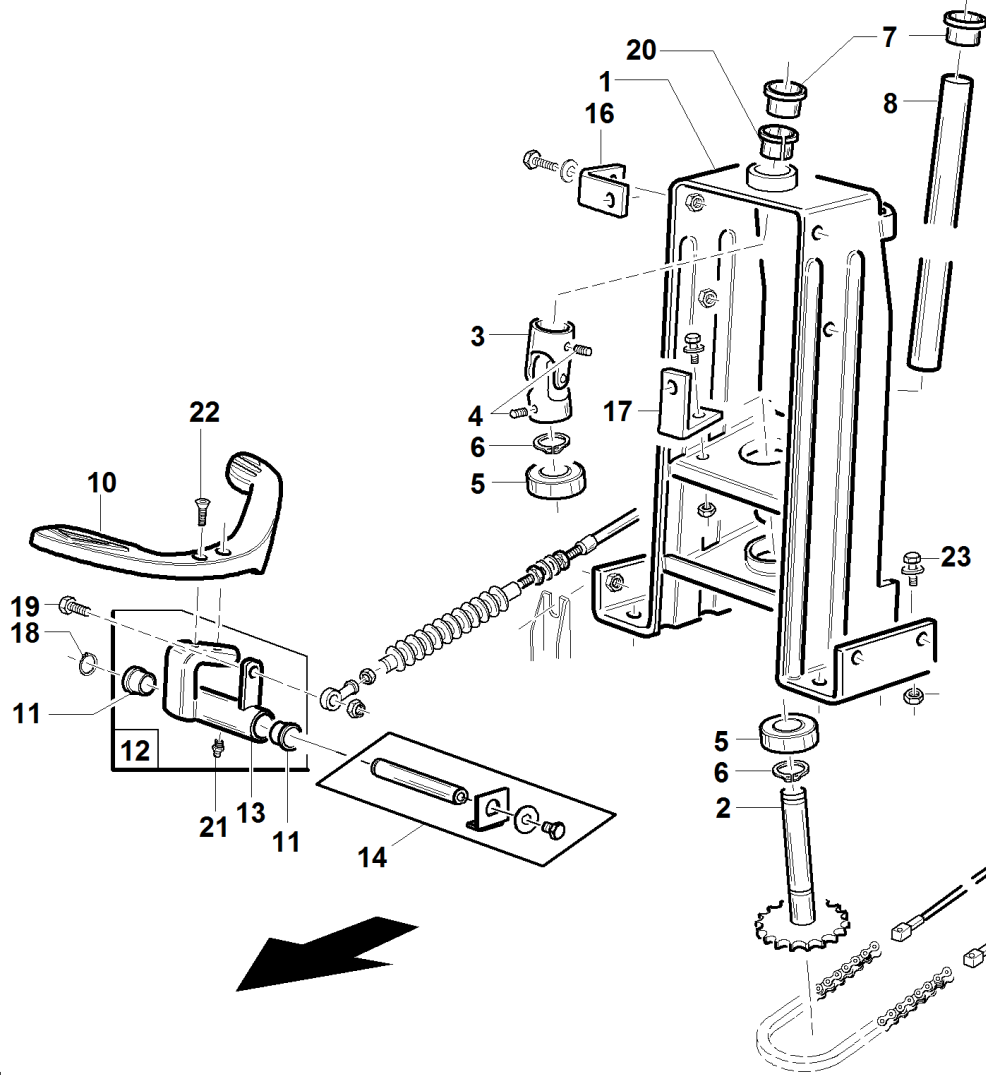


#	P/N	DESCRIPTION	GTS
1	00111980037	GATES POWER II XPA 1030 BELT	
2	92011000001	PUMP PULLEY	
3	92001000016	BELT TIGHTENER	
4	92001000021	LEVER STAFF BELT TIGHTENER	
5	94500190000	TIGHTENER BELT LEVER	
6	95200000002	ENGINE BELT TIGHTENER SPRING	
7	95001000060	BRASS BUSHING	
8	92001000019	BELT TIGHTENING PIN	
9	92001000018	BELT TIGHTENING PIN	
10	00777180002	FORK IN M8	
11	00111530009	BUSHING FRIMET Ø10X7 TFF1007	
12	92001000020		
13	92001000022	ENGINE PULLEY FIXING SPACER	
14	00111500003	WASHER 12X36X3	
15	00111550007	WASHER M12	
16	00111000132	WASHER P. 8,4X32X2,5 ZNT	
17	00777100032	KOYO BEARING 6003 2RS 17X35X10	
18	00111900022	TONGUE 1/4 X 1/4 X 14,5	
19	00111250008	SELF BL. NUT M12	
20	00777180001	FORKED PIN D.8	
21	00111650005	SNAP RING D.35 I	
22	00111650004	SNAP RING D.15 E	
23	00111000082	NUT M8	
24	00111000071	SELF BLO. NUT M8	
25	94010820000	SPRING TENSION DRILL ROD	
26	00111000087	WASHER P.8,4X15.6X1,5	
27	00111000080	SELF BLO. SCREW M10	
28	00111500004	WASHER 15,2X28X2.5	
29	00111000036	GREASER M6	
30	00111300089	SCREW TE 7/16X35	
31	92001000012	ENGINE PULLEY	
32	00111450003	SCREW WASHER M8X20	



#	P/N	DESCRIPTION	GTS
1	00111980036	BELT GATES XPA 1060	
2	95599000059	PULLEY KIT + ENGINE SPACER (GTS)	
3	92001000014	PUMP PULLEY	
4	92001000016	BELT TIGHTENER	
5	92001000021	LEVER STAFF BELT TIGHTENER	
6	94500190000	TIGHTENER BELT LEVER	
7	95222000002	BELT-TIGHTENER ADJUSTMENT SPRING	
8	95001000060	BRASS BUSHING	
9	92001000019	BELT TIGHTENING PIN	
10	92001000018	BELT TIGHTENING PIN	
11	00777180002	FORK IN M8	
12	00111530009	BUSHING FRIMET Ø10X7 TFF1007	
13	92001000020		
14	92001000022	ENGINE PULLEY FIXING SPACER	
15	00111500003	WASHER 12X36X3	
16	00111550007	WASHER M12	
17	00111500031	WASHER P. 14X36X3	
18	00777100032	KOYO BEARING 6003 2RS 17X35X10	
19	00111900022	TONGUE 1/4 X 1/4 X 14,5	
20	00111900006	TONGUE A 6X6X18	
21	00111250008	SELF BL. NUT M12	
22	00777180001	FORKED PIN D.8	
23	00111650005	SNAP RING D.35 I	
24	00111650004	SNAP RING D.15 E	
25	00111000082	NUT M8	
26	00111000071	SELF BLO. NUT M8	
27	94010820000	SPRING TENSION DRILL ROD	
28	00111000087	WASHER P.8,4X15.6X1,5	
29	00111000080	SELF BLO. SCREW M10	
30	00111500004	WASHER 15,2X28X2.5	
31	91001000008	PULLEY SHAFT	
32	00777250031	SEAL WASHER AS 30X62X7	
33	00111650029	SNAP RING D.62	
34	00777100024	BEARING CLA 6206 0X62X16	
35	00111000036	GREASER M6	
36	00111300089	SCREW TE 7/16X35	

GTS

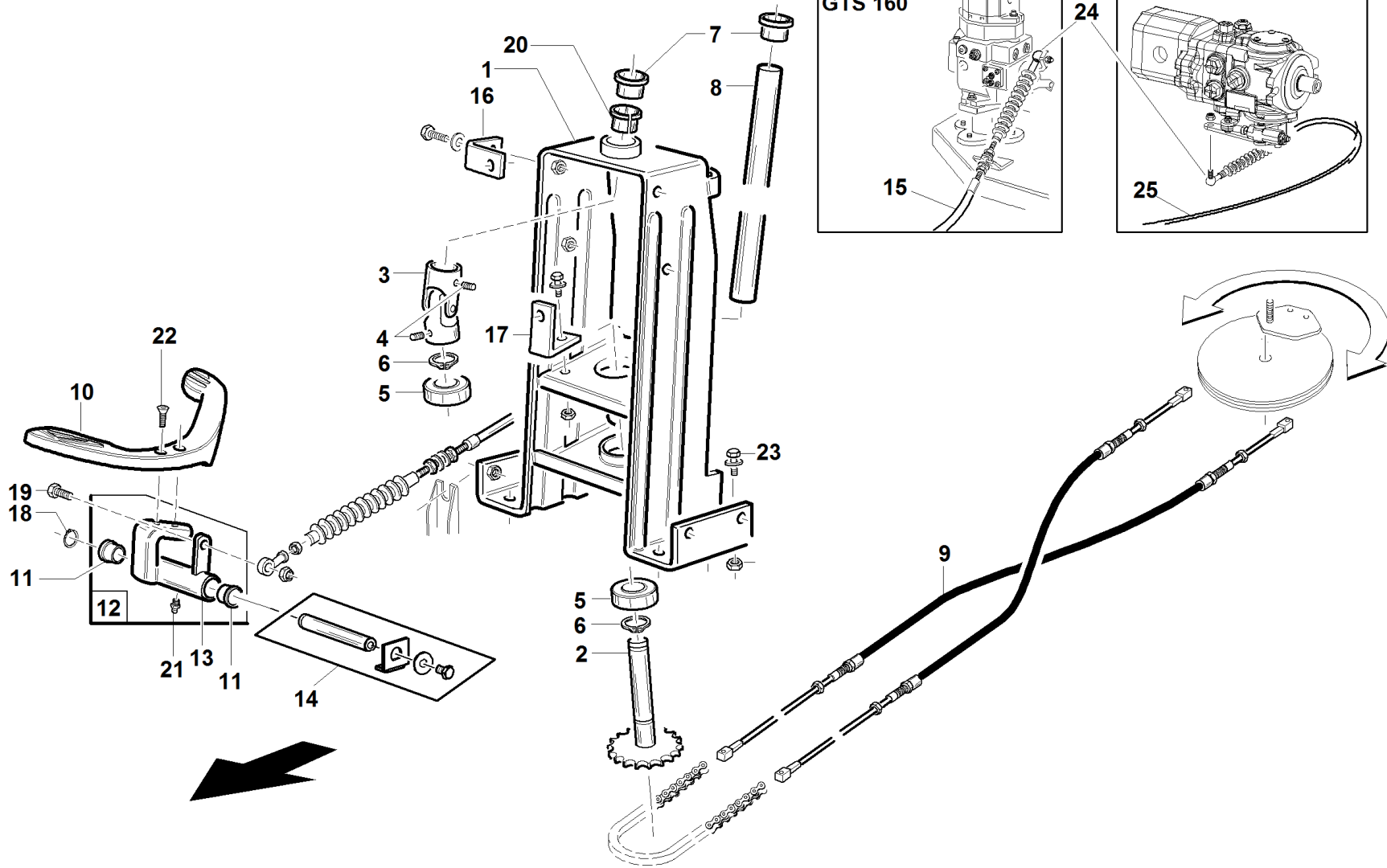


S/N
→ **1310001**

REF.09 - 00555501349

#	P/N	DESCRIPTION	GTS
1	94500260000	STEERING COLUMN	
2	92001000027	PINION SHAFT	
3	00777200002	STEERING JOINT	
4	00111000147	PIN EL D.5X30	
5	00777100008	BEARING 6204 2RS 20x47x14	
6	00111000057	SNAP RING D.20 E	
7	95500000029	BUSHING STEERING	
8	95500000023	STEERING WHEEL SHAFT	
9	92001000031	COMPLETE STEERING CABLE	
10	95533000003	ACCELERATOR PEDAL	
11	95001000060	BRASS BUSHING	
12	92001540000	ACCELERATOR PEDAL SUPPORT	
13	92001330000	ACCELERATOR PEDAL SUPPORT	
14	95597270000	PEDAL PIN KIT	
15	92006000012	ADVANCEMENT CABLE GTSD	
16	92001360000	UPPER TERMINAL BOARD SUPP.	
17	92001370000	LOWER TERMINAL BOARD SUPPORT	
18	00111650004	SNAP RING D.15 E	
19	00111300008	SCREW TE M8X25	
20	00111990017	BUSHING WITH EDGE TFF 20/16,5	
21	00111000036	GREASER M6	
22	00111350022	SCREW TSPEI M8X30 ZNT	
23	00111000059	FAKE SCREW/WASH. M8X14	
24	00777200026	ROUND JOINT M6	
25	92011000002	PUMP CONTROL EXTENDED LEVER	
26	92011000003	ADVACEMENT CABLE FIXING BRACKET	

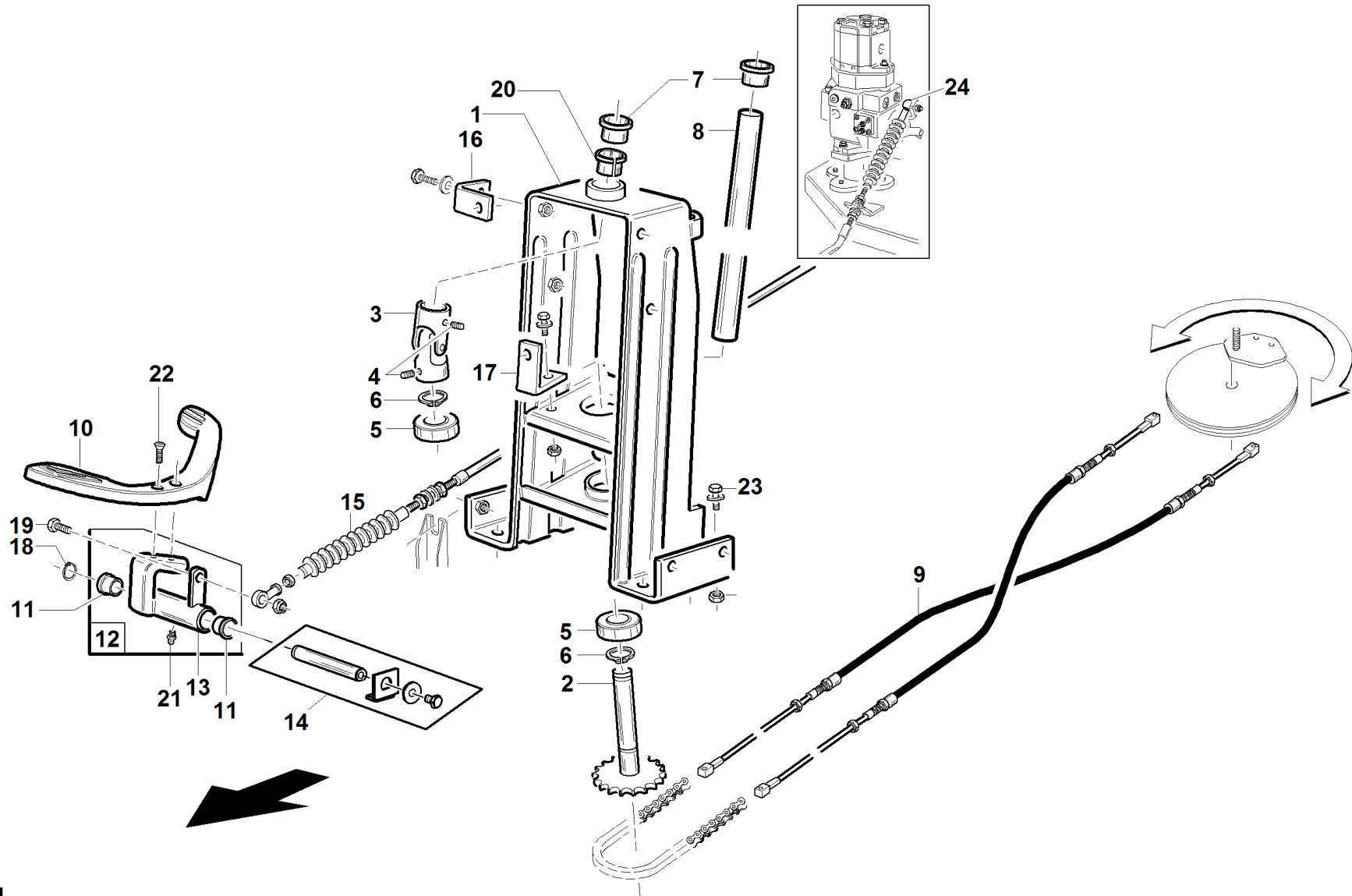
GTS



S/N
→ **1003053**

REF. 09 - 00555501323

#	P/N	DESCRIPTION	GTS
1	94500260000	STEERING COLUMN	
2	92001000027	PINION SHAFT	
3	00777200002	STEERING JOINT	
4	00111000147	PIN EL D.5X30	
5	00777100008	BEARING 6204 2RS 20x47x14	
6	00111000057	SNAP RING D.20 E	
7	95500000029	BUSHING STEERING	
8	95500000023	STEERING WHEEL SHAFT	
9	92001000031	COMPLETE STEERING CABLE	
10	95533000003	ACCELERATOR PEDAL	
11	95001000060	BRASS BUSHING	
12	92001540000	ACCELERATOR PEDAL SUPPORT	
13	92001330000	ACCELERATOR PEDAL SUPPORT	
14	95597270000	PEDAL PIN KIT	
15	92001000028	ADVANCEMENT CABLE	
16	92001360000	UPPER TERMINAL BOARD SUPP.	
17	92001370000	LOWER TERMINAL BOARD SUPPORT	
18	00111650004	SNAP RING D.15 E	
19	00111300008	SCREW TE M8X25	
20	00111990017	BUSHING WITH EDGE TFF 20/16,5	
21	00111000036	GREASER M6	
22	00111350022	SCREW TSPEI M8X30 ZNT	
23	00111000059	FAKE SCREW/WASH. M8X14	
24	00777200026	ROUND JOINT M6	
25	92006000012	ADVANCEMENT CABLE GTSD	



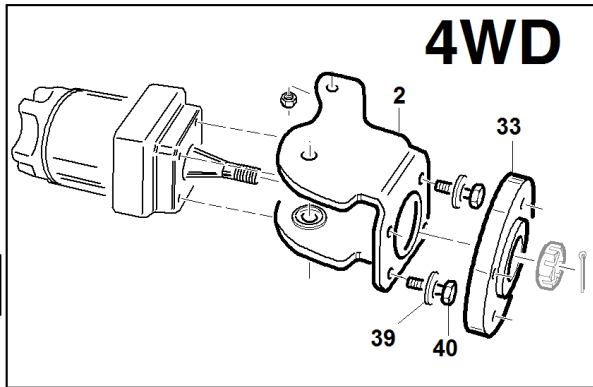
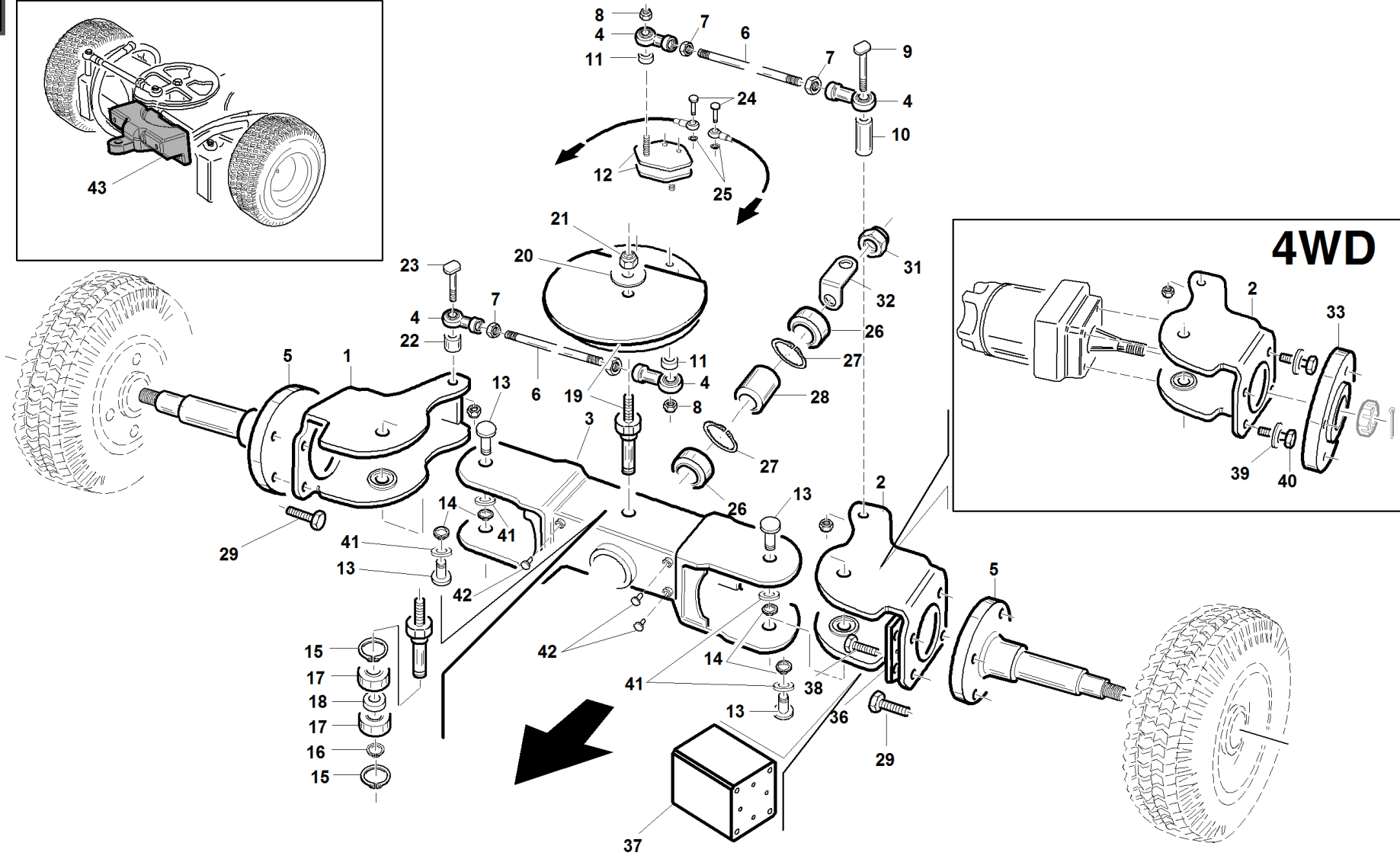
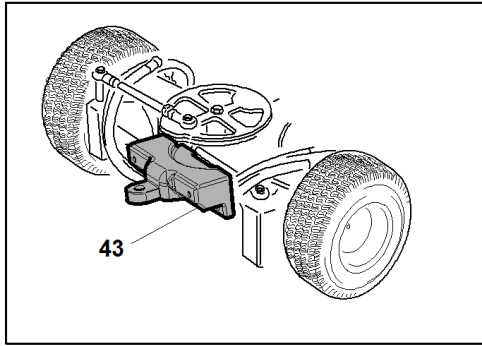
S/N

→ **0811001 ÷ 1003052** ←

REF.09 - 00555501308

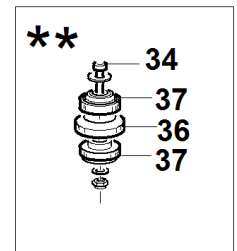
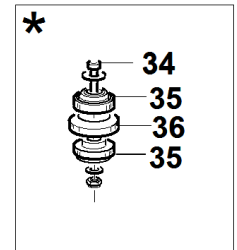
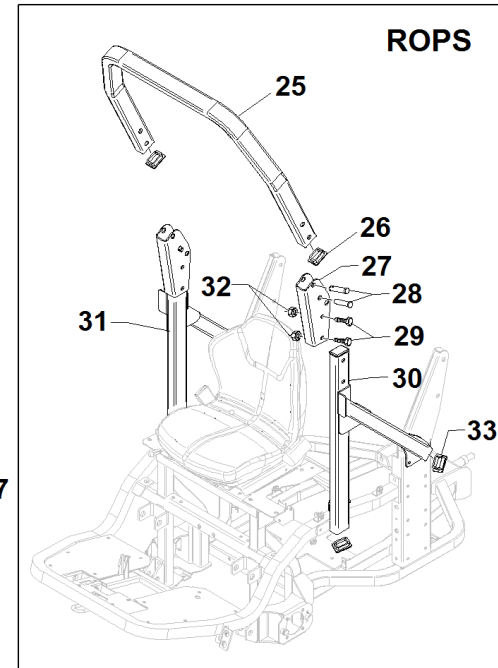
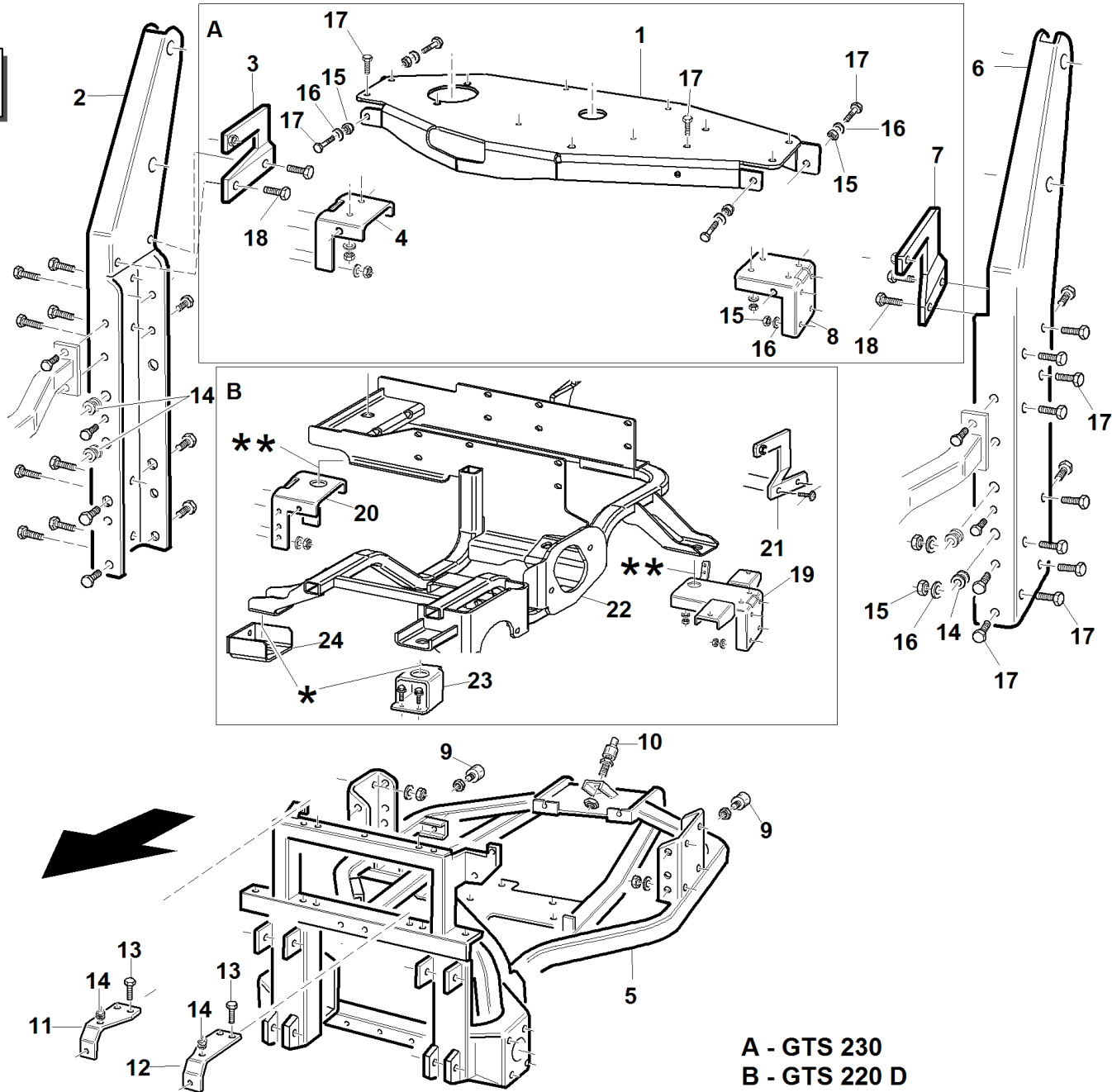
#	P/N	DESCRIPTION	GTS
1	94500260000	STEERING COLUMN	
2	92001000027	PINION SHAFT	
3	00777200002	STEERING JOINT	
4	00111000147	PIN EL D.5X30	
5	00777100008	BEARING 6204 2RS 20x47x14	
6	00111000057	SNAP RING D.20 E	
7	95500000029	BUSHING STEERING	
8	95500000023	STEERING WHEEL SHAFT	
9	92001000031	COMPLETE STEERING CABLE	
10	95533000003	ACCELERATOR PEDAL	
11	95001000060	BRASS BUSHING	
12	92001540000	ACCELERATOR PEDAL SUPPORT	
13	92001330000	ACCELERATOR PEDAL SUPPORT	
14	95597270000	PEDAL PIN KIT	
15	92001000028	ADVANCEMENT CABLE	
16	92001360000	UPPER TERMINAL BOARD SUPP.	
17	92001370000	LOWER TERMINAL BOARD SUPPORT	
18	00111650004	SNAP RING D.15 E	
19	00111300008	SCREW TE M8X25	
20	00111990017	BUSHING WITH EDGE TFF 20/16,5	
22	00111350022	SCREW TSPEI M8X30 ZNT	
23	00111000059	FAKE SCREW/WASH. M8X14	
21	00111000036	GREASER M6	
24	00777200026	ROUND JOINT M6	

GTS



#	P/N	DESCRIPTION	GTS
1	92001450000	LEFT REAR WHEEL-ROTOR SUPPORT	
2	92001190000	RIGHT REAR WHEEL-ROTOR SUPPORT	
3	92002102000	REAR COMPLETE AXLE	
4	00777200019	SPHEROX TF12 RIGHT	
5	95311160001	WHEEL SHAFT 2WD	
6	92002100013	TIE ROD STEERINGH	
7	00111150012	NUT M12	
8	00111250002	SELF BL. NUT M12	
9	92002100012	STEERING PIN L=103.5	
10	92002100011	SPACER D12X20H=62.4	
11	92002100002	SPACER Ø12X20 H=5	
12	92002101000	STEERING SHAPED PLATE	
13	92002100001	REAR AXLE FORK PIN	
14	00111650034	SNAP RING D.17 E	
15	00111650005	SNAP RING D.35 I	
16	00111650014	SNAP RING D.17 E	
17	00777100010	BEARING 6003 2RS 17X35X10	
18	92002100005	SPACER Ø22.5X17.5 H=4.7	
19	95598370000	STEERING FIFTH WHEEL+ PIN	
20	00111000170	WASHER 17X30X3	
21	00111250003	SELF BL. NUT M16	
22	92002100006	SPACER Ø12X20 H=18.3 ZNT	
23	92002100010	STEERING PIN L=59.5	
24	92002100007	STEERING CABLE PIN	
25	00111650033	SNAP RING E X Ø6	
26	00777100012	BEARING 6006 2RS 30X55X13	
27	00111650035	SNAP RING I X Ø55	
28	92002100008	REAR AXLE BEARING SPACER	
29	00111000103	SCREW TE M10X30	
31	00111250007	SELF BL. NUT M20X1.5	
32	94500000073	HOOK	
33	92002000008	WHEEL HUB 4 HOLES D.85	
36	92003000002		
37	92003000003	BALLAST	
38	00111300052	SCREW TE UNI 5739	
39	00111550005	WASHER M10	
40	00111000076	SCREW TE M10X25	
41	92002100003	SPACER Ø17.2XØ30X1.5	
42	00111970095	KNOB -81205-	
43	92113000000		

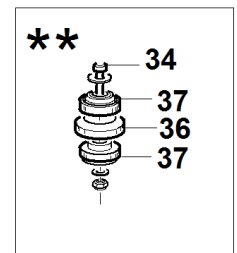
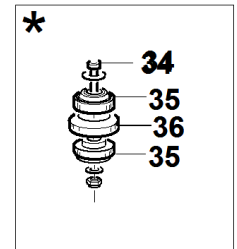
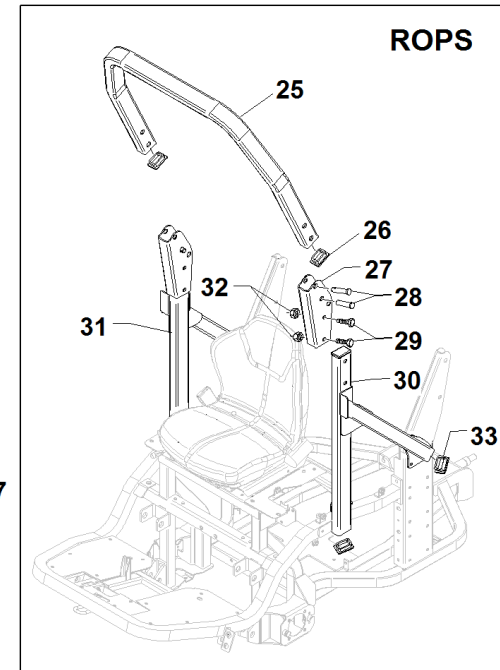
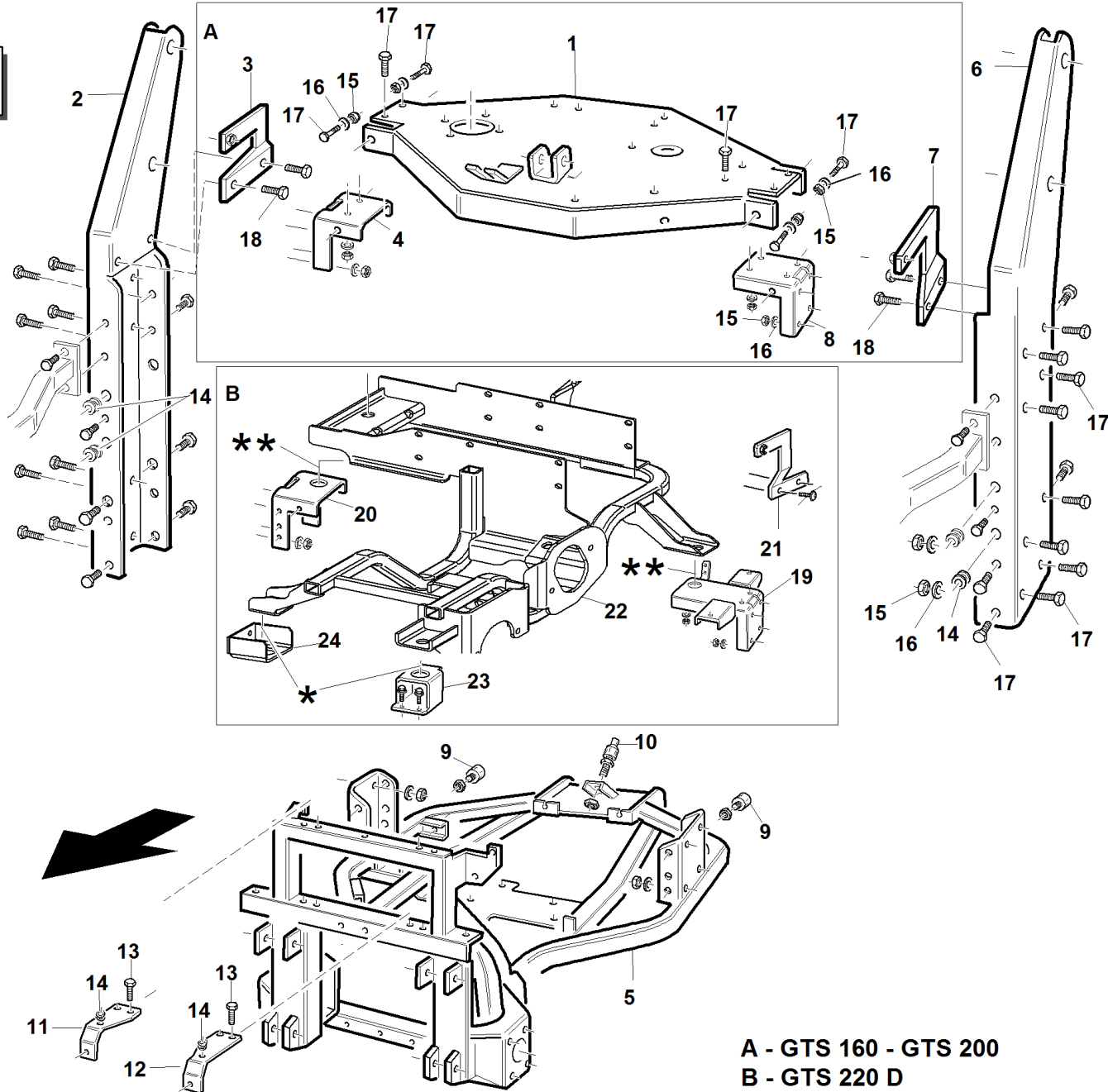
GTS



**A - GTS 230
B - GTS 220 D**

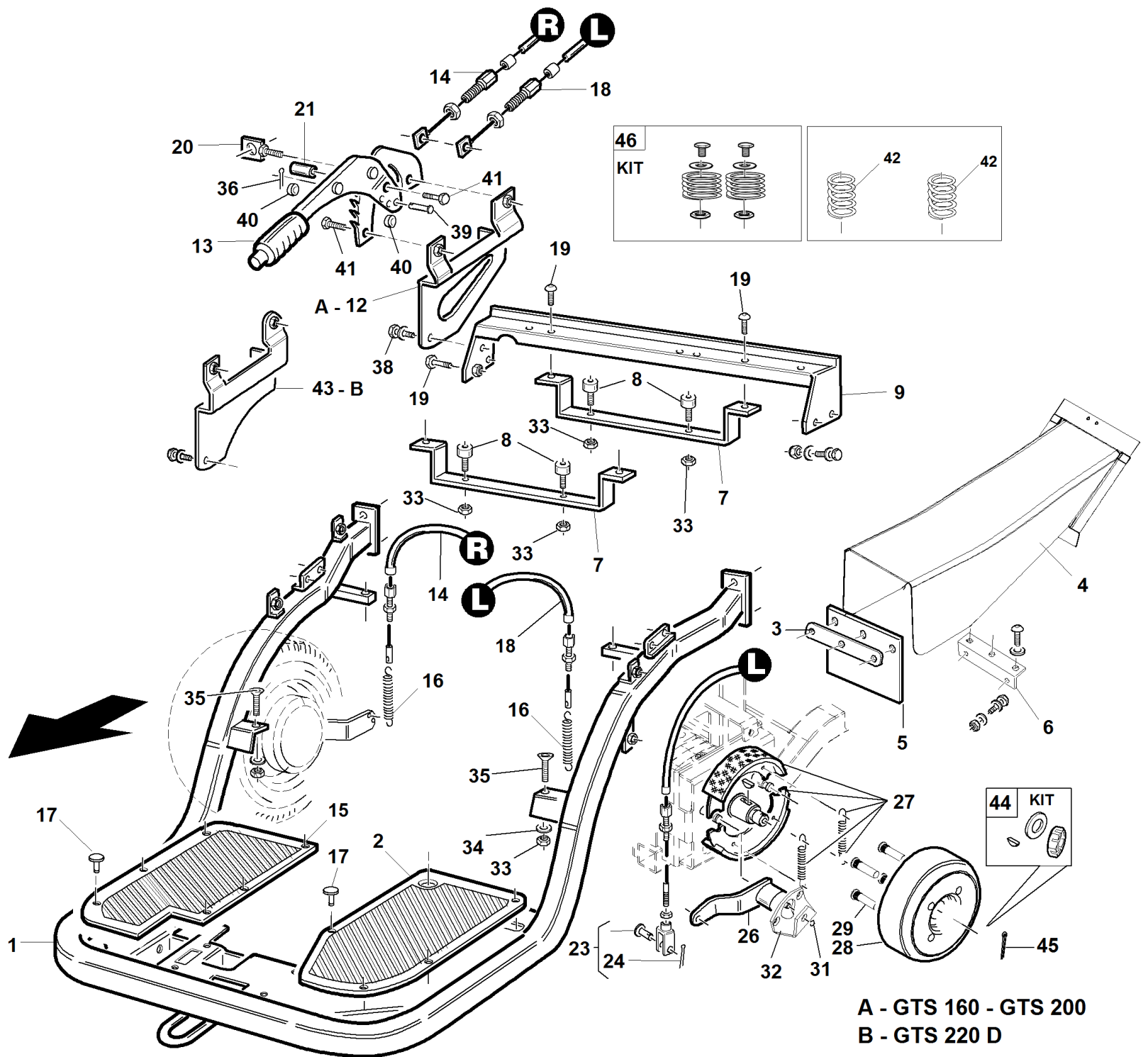
#	P/N	DESCRIPTION	GTS
1	92011100000	ENGINE SUPPORT FRAME	
2	94500330000	RIGHT OVERTURNING HOPPER COLUMN	
3	92001340000	LEFT ENGINE HOOD SUPPORT	
4	92004120000		
5	92001100000	GTS FRAME	
6	94500340000	LEFT OVERTURNING HOPPER COLUMN	
7	92001350000	ENGINE HOOD LEFT SUPPORT	
8	92004130000		
9	00111970179	VIBRATION-DAMPING STOPPER	
10	94500000062	LOCKING HOPPER PIN	
11	92001400000	RIGHT TANK SUPPORT PLATE	
12	92001390000	TANK SUPP.PLATE LEFT	
13	00111450003	SCREW WASHER M8X20	
14	00111970066	CABLE HOLDER D.I.9	
15	00111250014	SELF BL. NUT M8	
16	00111000087	WASHER P.8,4X15.6X1,5	
17	00111300061	SCREW TE M8X20	
18	00111000059	FAKE SCREW/WASH. M8X14	
19	92006210000	ENGINE LEFT SUPPORT BRACKET	
20	92006250000		
21	92006220000	LEFT ENGINE HOOD SUPPORT	
22	92006190000	ENGINE SUPPORT FRAME	
23	92006000015	SX FRONT VIBRATION-DAMPING FIX. BRACKET	
24	92006000017	DX FRONT VIBRATION-DAMPING FIX. BRACKET	
25	92108120000		
26	00111970212	RETTANGULAR PLASTIC CAP	
27	92108000001	ROPS ARTICULATION	
28	92108000003	PIN Ø16X62	
29	00111300076	SCREW	
30	92108200000		
31	92108100000		
32	00111000175	PIN "R" D.4	
33	00111970181	RECTANGULAR PUSH ROD 50X30	
34	00111400047	SCREW TCEI M16X110	
35	00111970225	DAMPER MDS66/4020-55	
36	91001000002	SPACER SP=16	
37	00111970189	VIBRATION-DAMPING STOPPER MDS80/3820-65	

GTS



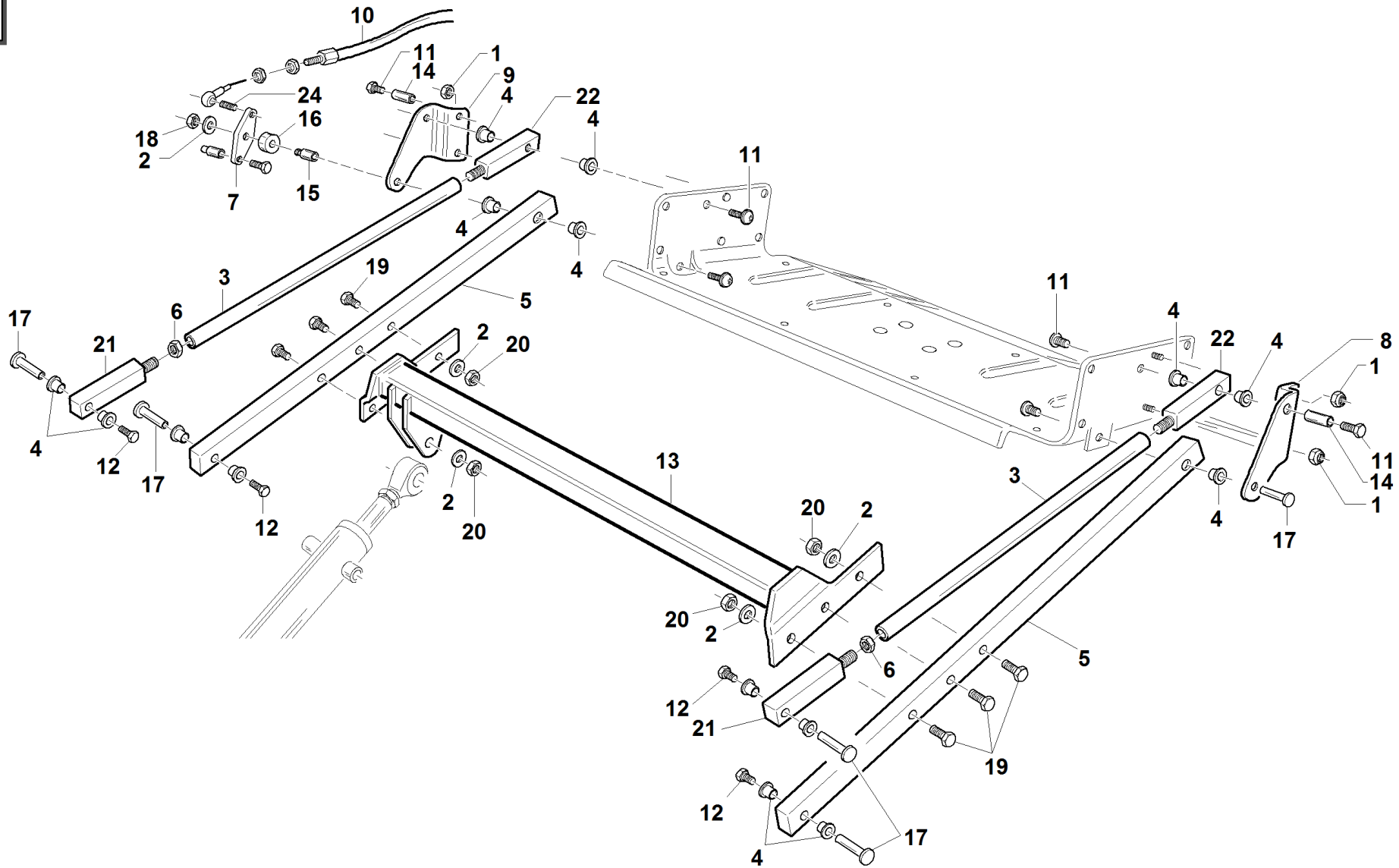
**A - GTS 160 - GTS 200
B - GTS 220 D**

#	P/N	DESCRIPTION	GTS
1	92001440000	COMPL. ENGINE SUPPORT	
2	94500330000	RIGHT OVERTURNING HOPPER COLUMN	
3	92001340000	LEFT ENGINE HOOD SUPPORT	
4	92004120000		
5	92001100000	GTS FRAME	
6	94500340000	LEFT OVERTURNING HOPPER COLUMN	
7	92001350000	ENGINE HOOD LEFT SUPPORT	
8	92004130000		
9	00111970179	VIBRATION-DAMPING STOPPER	
10	94500000062	LOCKING HOPPER PIN	
11	92001400000	RIGHT TANK SUPPORT PLATE	
12	92001390000	TANK SUPP.PLATE LEFT	
13	00111450003	SCREW WASHER M8X20	
14	00111970066	CABLE HOLDER D.I.9	
15	00111250014	SELF BL. NUT M8	
16	00111000087	WASHER P.8,4X15.6X1,5	
17	00111300061	SCREW TE M8X20	
18	00111000059	FAKE SCREW/WASH. M8X14	
19	92006210000	ENGINE LEFT SUPPORT BRACKET	
20	92006250000		
21	92006220000	LEFT ENGINE HOOD SUPPORT	
22	92006190000	ENGINE SUPPORT FRAME	
23	92006000015	SX FRONT VIBRATION-DAMPING FIX. BRACKET	
24	92006000017	DX FRONT VIBRATION-DAMPING FIX. BRACKET	
25	92108120000		
26	00111970212	RETTANGULAR PLASTIC CAP	
27	92108000001	ROPS ARTICULATION	
28	92108000003	PIN Ø16X62	
29	00111300076	SCREW	
30	92108200000		
31	92108100000		
32	00111000175	PIN "R" D.4	
33	00111970181	RECTANGULAR PUSH ROD 50X30	
34	00111400047	SCREW TCEI M16X110	
35	00111970225	DAMPER MDS66/4020-55	
36	91001000002	SPACER SP=16	
37	00111970189	VIBRATION-DAMPING STOPPER MDS80/3820-65	



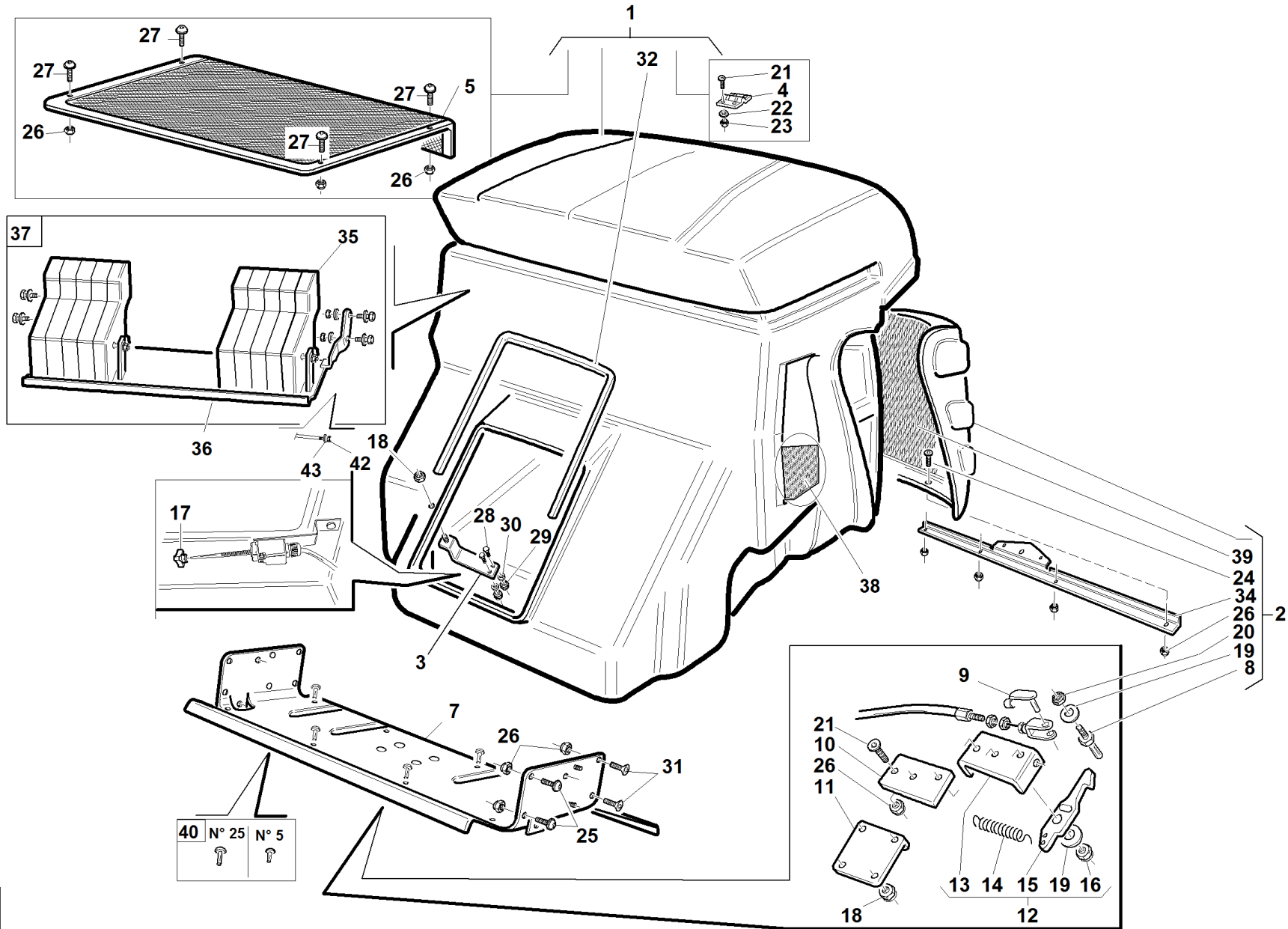
A - GTS 160 - GTS 200
B - GTS 220 D

#	P/N	DESCRIPTION	GTS
1	92001110000	GTS FRONT FOOTBOARD	
2	92001000052	LEFT FOOT PAD	
3	92001000057	FIXING PLATE	
4	92001410000	COMPLETE TUNNEL	
5	92001000058	RUBBER STRAP	
6	92001490000	TUNNEL ANGULAR	
7	92001240000	RADIATOR SUPP. BRACKET	
8	00111970127	STOPPER M8 D30X20	
9	92001310000	REAR SUPP.SEAT TIE ROD	
12	92001420000	HAND BRAKE SUPPORT BRACKET	
13	00111990015	HAND BRAKE LEVER	
14	92001000049	HAND BRAKE CABLE RIGHT	
15	92001000051	RIGHT FOOT PAD	
16	92001000053	SPRING De=12 L=100.2 FILO=3	
17	00111970169	CLOSER PLUG D. 10.5	
18	92001000048	HAND BRAKE CABLE LEFT	
19	00111450003	SCREW WASHER M8X20	
20	PZ95042190000	MICRO SUPPORT	
21	95002000004	HOPPER STOP PIN	
23	95598340000	PIN KIT Ø 12X30 + SPLIT 4X40	
24	00111000177	PIN 4X40	
26	92001120000	HAND BRAKE LEVEL	
27	92001250000	BRAKE SHOES KIT 152.4X25	
28	92001000009	BRAKE DRUM W/ 4 HOLES	
29	00111990102	LITTLE COLUMN M12x1.5x35	
31	00111650001	SNAP RING D.40 E	
32	92001000010	BRAKE CAM BLOCK BRACKET	
33	00111000071	SELF BLO. NUT M8	
34	00111000087	WASHER P.8,4X15.6X1,5	
35	00111350021	SCREW TSPEI M8X25	
36	00111750006	SPLIT PIN 1,6X20	
37	92001000049	HAND BRAKE CABLE RIGHT	
38	00111000059	FAKE SCREW/WASH. M8X14	
39	00777180003	PIN Ø8 L=40 UNI 1710	
40	95001000027	BORE WASHER Ø8.25X14 L=8	
41	00111450003	SCREW WASHER M8X20	
42	89001000045	SPRING. De=38.1 L=75 FILO=4.8 ZNT	
43	92006160000	HAND BRAKE SUPPORT BRACKET	
44	95598470000	NUT-WASHER-TONGUA KIT	
45	00111000177	PIN 4X40	
46	95597060000	KIT	



#	P/N	DESCRIPTION	GTS
1	00111000071	SELF BLO. NUT M8	
2	00111000015	WASHER D.10,5X21X2	
3	94500000008	OVERTURNING HOPPER TIE ROD	
4	00111530003	BUSHING TFF 14X16 L=9	
5	92001000039	HOPPER OVERTURNING ARM	
6	00111150005	NUT M16X1.5	
7	94500840000	OPEN HOPPER LEVER	
8	94500170000	LEFT HOPPER SUPPORT	
9	94500180000	RIGHT HOPPER SUPPORT	
10	94500000067	OPEN HOPPER WIRE CABLE	
11	00111450010	SCREW/W M6X10	
12	00111450014	SCREW FR M6X12	
13	92001180000	HOPPER CROSS ARM	
14	94500000047	TIE ROD PIN	
15	94500000053	RIGHT HOPPER TIE ROD	
16	94500000051	SPACER 10.25X16X10.5	
17	94500000007	HOPPER FIXING PIN	
18	00111250004	SELF BL. NUT M10	
19	00111300059	SCREW TE M10X45	
20	00111250013	SELF BL.NUT M10	
21	94500000006	BUSHING M16X1.5	
22	94500000005	ARM BUSHING M16X1.5	
24	00111320001	STUD BOLT M8X16	

GTS

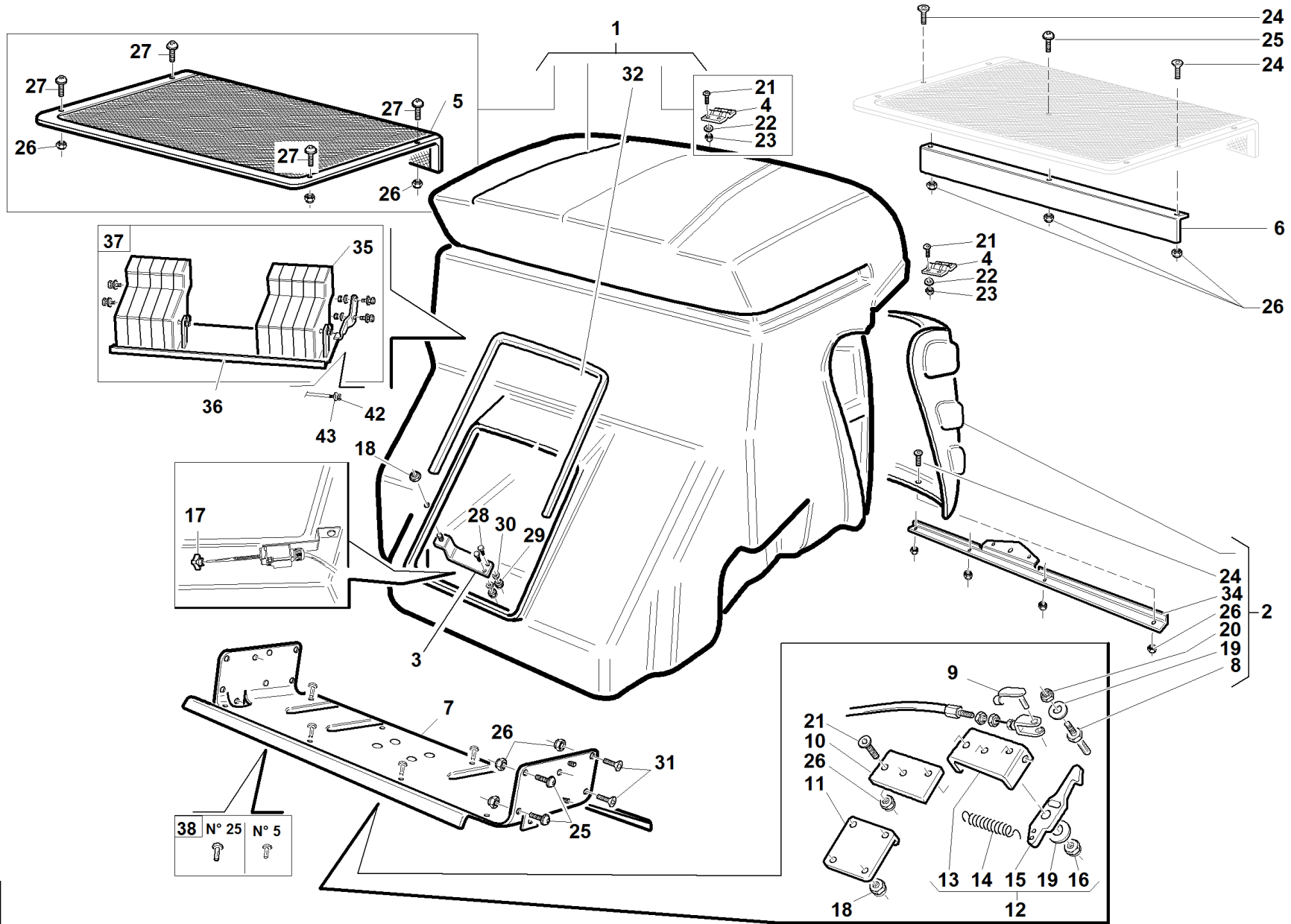


S/N
→ **0911015**

REF. 14 - 00555501322

#	P/N	DESCRIPTION	GTS
1	92001481000	ASSEMBLED GTS HOPPER	
2	94500050000	ASSEMB.TG TECH -GTS COLLECTOR COVER	
3	94500630000	HOPPER MICRO SUPPORT	
4	00777580003	METAL HING 50x76	
5	94500970000	TG TECH HOPPER GRID	
7	94500270000	HOPPER SUPPORT	
8	94500000109	CLOSER HOPPER DRILL ROD	
9	00777180001	FORKED PIN D.8	
10	94500000108	HOOK SUPPORT SPACER	
11	94500000072	CENTRING HOPPER PLATE	
12	94500810000	HOPPER HOOK	
13	94017190000	HOOK SUPPORT	
14	94500000111	TG TECH ENCLOSING SPRING	
15	94500000083	TG TECH HOPPER HOOK	
16	00111000080	SELF BLO. SCREW M10	
17	00111970042	FEMALE KNOB THB20M4	
18	00111000071	SELF BLO. NUT M8	
19	00111000070	WASHER P. 11X30X2.5 ZNT	
20	00111250004	SELF BL. NUT M10	
21	00111350030	SCREW TSPEI M6X25	
22	00111000037	WASHER 6.6X18X2	
23	00111000166	SELF BL. SCREW M6	
24	00111000014	SCREW TSPEI M6X16	
25	00111300011	SCREW TE M6X20	
26	00111000035	SELF BLOC. NUT M6	
27	00111450012	SCREW FR M 6X20	
28	00111300024	SCREW TE M4X35	
29	00111250006	SELF BL. NUT M4	
30	00111500010	WASHER 4.3X9X0.8	
31	00111350023	SCREW TSPEI M6X20	
32	94500830002	HOPPER WASHER L=930	
34	94500000110	REINFORCEMENT	
35	95049000037	PG REAR BALLAST	
36	92105100000		
37	92105000000		
38	92001481100		
39	94500050002		
40	95598560000		
42	00111150002	NUT M10 6S ZNT	
43	00111150013		

GTS



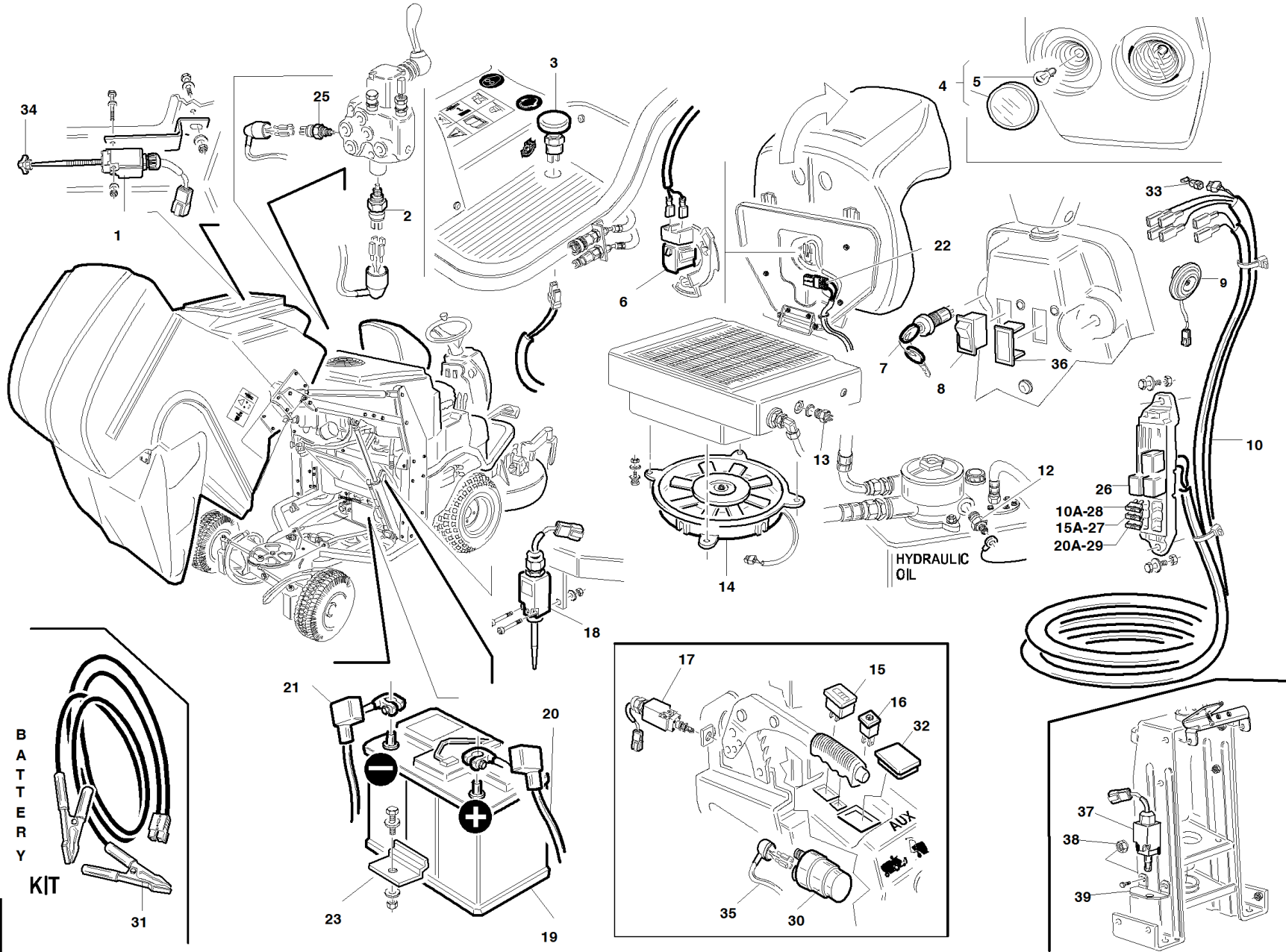
S/N

→ 0811001 ÷ 0911014 ←

REF. 14 - 0055501313

#	P/N	DESCRIPTION	GTS
1	92001481000	ASSEMBLED GTS HOPPER	
2	94500050000	ASSEMB.TG TECH -GTS COLLECTOR COVER	
3	94500630000	HOPPER MICRO SUPPORT	
4	00777580003	METAL HING 50x76	
5	94500970000	TG TECH HOPPER GRID	
6	94500460000	COLLECTOR GRID WING	
7	94500270000	HOPPER SUPPORT	
8	94500000109	CLOSER HOPPER DRILL ROD	
9	00777180001	FORKED PIN D.8	
10	94500000108	HOOK SUPPORT SPACER	
11	94500000072	CENTRING HOPPER PLATE	
12	94500810000	HOPPER HOOK	
13	94017190000	HOOK SUPPORT	
14	94500000111	TG TECH ENCLOSING SPRING	
15	94500000083	TG TECH HOPPER HOOK	
16	00111000080	SELF BLO. SCREW M10	
17	00111970042	FEMALE KNOB THB20M4	
18	00111000071	SELF BLO. NUT M8	
19	00111000070	WASHER P. 11X30X2.5 ZNT	
20	00111250004	SELF BL. NUT M10	
21	00111350030	SCREW TSPEI M6X25	
22	00111000037	WASHER 6.6X18X2	
23	00111000166	SELF BL. SCREW M6	
24	00111000014	SCREW TSPEI M6X16	
25	00111300011	SCREW TE M6X20	
26	00111000035	SELF BLOC. NUT M6	
27	00111450012	SCREW FR M 6X20	
28	00111300024	SCREW TE M4X35	
29	00111250006	SELF BL. NUT M4	
30	00111500010	WASHER 4.3X9X0.8	
31	00111350023	SCREW TSPEI M6X20	
32	94500830002	HOPPER WASHER L=930	
34	94500000110	REINFORCEMENT	
35	95049000037	PG REAR BALLAST	
36	92105100000		
37	92105000000		
38	95598560000		
42	00111150002	NUT M10 6S ZNT	
43	00111150013		

GTS

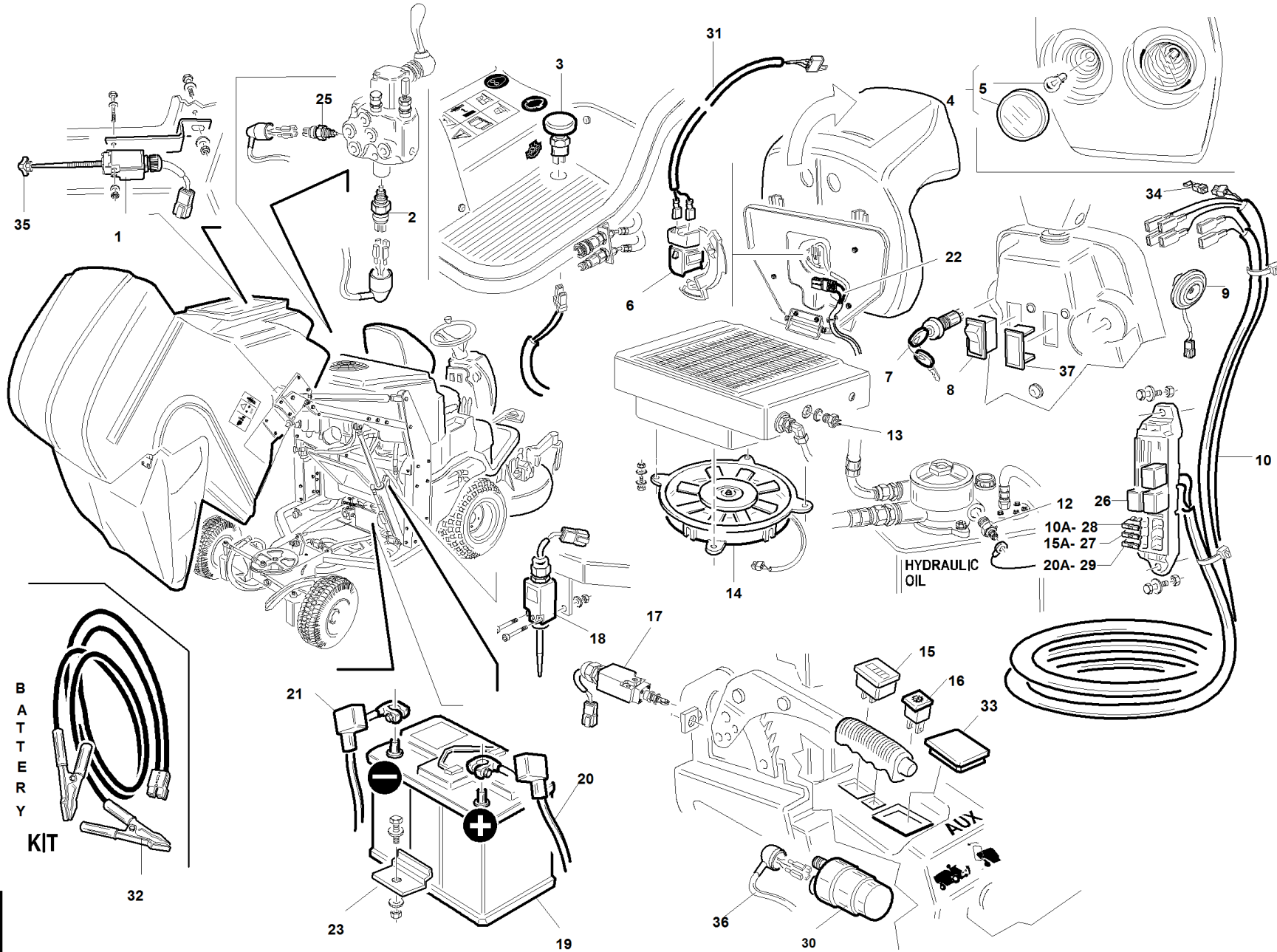


S/N
→ **0904040**

REF. 15 - 00555501320

#	P/N	DESCRIPTION	GTS
1	92001290009	FULL HOPPER WIRED MICRO SWITCH	
2	00777800202	PTO MICRO SWITCH	
3	91002140011	DIFFERENTIAL BLOCK SWITCH	
4	00777800137	PROJECTOR	
5	95599000021	LAMP WITH SUPPORT	
6	00777800216	SEAT MICRO SWITCH	
7	00777800222	START SWITCH	
8	00777800007	SWITCH	
9	00777800022	HORN 12V	
10	92001290006	GTS160/200 CENTRAL EL.HARNESS	
12	95599000061	DIFFERENTIAL PRESSURE SWITCH	
13	00777800201	TYHERMOSTAT 50°-60° M22X1,5	
14	95599000058	GTS ELECTRIC FAN (4Kw)	
15	00777800219	HOUR METER	
16	91002140010	OBSTRUCTION FILTER PILOT LIGHT	
17	94011250000	TG 200 HANDBRAKE WIRED MICRO	
18	94500650000	CLOSE HOPPER WIRED MICRO	
19	95599000036	BATTERY 12V 43A	
20	92001290002	POSITIVE BATTERY CABLE	
21	92001290003	NEGATIVE BATTERY CABLE	
22	92001290004	WIRED EMERGENCY BATTERY PLUG	
23	94500000079	BRACKET FIXING BATTERY	
25	00777800211	THERMOSTAT EUROS SWITCH 95°C	
26	00777800059	MICRO RELAYS 12V	
27	00777800213	MICRO BLADE FUSE 15A	
28	00777800212	MICRO BLADE FUSE 10A	
29	00777800214	"MICRO BLADE FUSE 20A	
30	00777800012	RELAY 06020	
31	92001290005	WIRED BATTERY PLUG	
32	00111970215	RECTANGULAR CAP	
33	00777800239	ELECTRIC DIODE P600K W/CONNECTOR	
34	00111970042	FEMALE KNOB THB20M4	
35	95599000122	CONTACTOR-STARTER POSITIVE CABLE	
36	00111970159	PLUG	
37	95410140002		
38	00111000035	SELF BLOC. NUT M6	
39	92111000005		

GTS

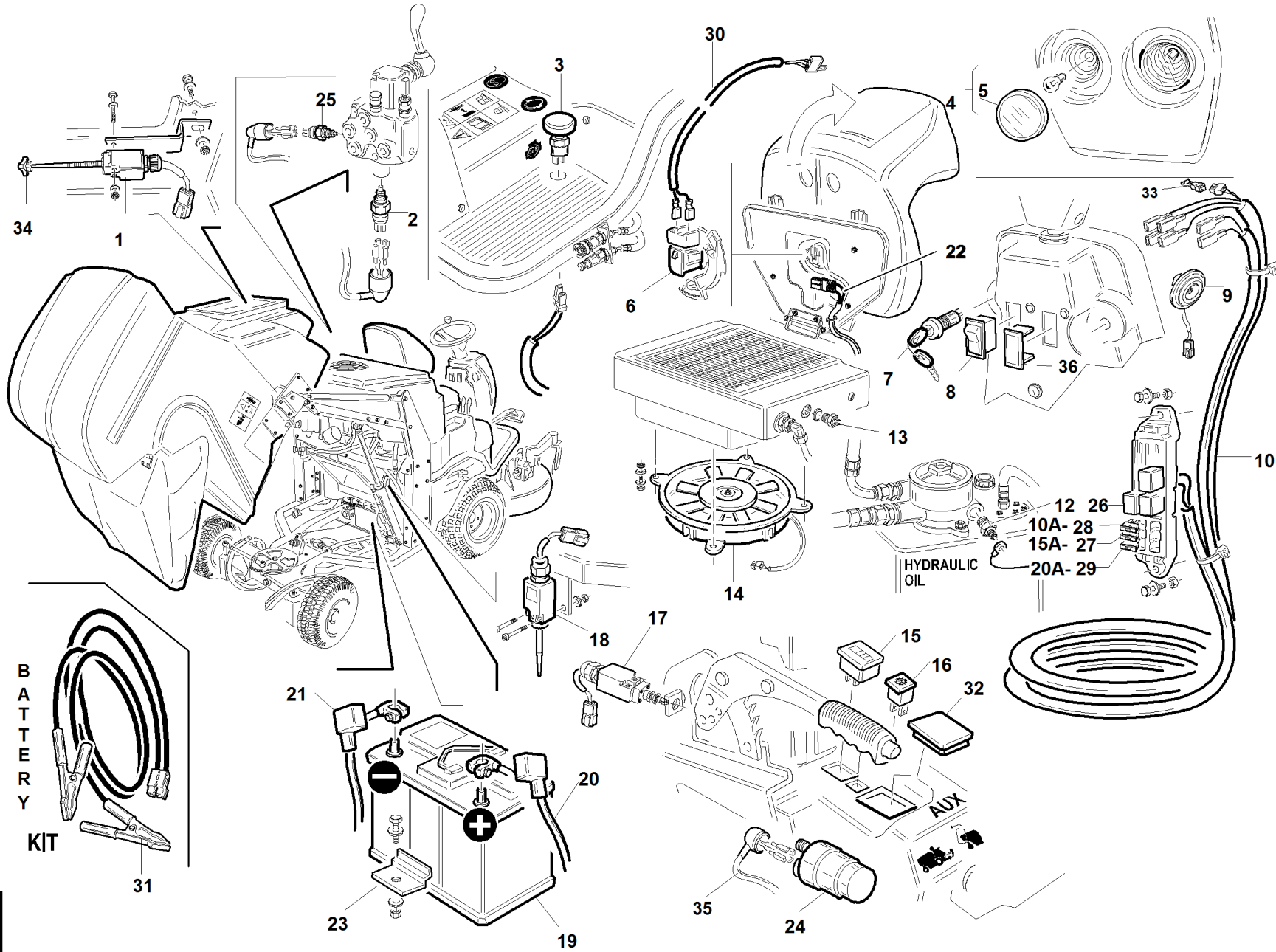


S/N
→ 0902008 ÷ 0904039 ←

REF. 15 - 00555501319

#	P/N	DESCRIPTION	GTS
1	92001290009	FULL HOPPER WIRED MICRO SWITCH	
2	00777800202	PTO MICRO SWITCH	
3	91002140011	DIFFERENTIAL BLOCK SWITCH	
4	00777800137	PROJECTOR	
5	95599000021	LAMP WITH SUPPORT	
6	00777800216	SEAT MICRO SWITCH	
7	00777800222	START SWITCH	
8	00777800007	SWITCH	
9	00777800022	HORN 12V	
10	92001290006	GTS160/200 CENTRAL EL.HARNESS	
36	95599000122	CONTACTOR-STARTER POSITIVE CABLE	
12	95599000061	DIFFERENTIAL PRESSURE SWITCH	
13	00777800201	TYHERMOSTAT 50°-60° M22X1,5	
14	95599000058	GTS ELECTRIC FAN (4Kw)	
15	00777800219	HOUR METER	
16	91002140010	OBSTRUCTION FILTER PILOT LIGHT	
17	94011250000	TG 200 HANDBRAKE WIRED MICRO	
18	94500650000	CLOSE HOPPER WIRED MICRO	
19	95599000036	BATTERY 12V 43A	
20	92001290002	POSITIVE BATTERY CABLE	
21	92001290003	NEGATIVE BATTERY CABLE	
22	92001290004	WIRED EMERGENCY BATTERY PLUG	
23	94500000079	BRACKET FIXING BATTERY	
25	00777800211	THERMOSTAT EUROSCHWITZ 95°C	
26	00777800059	MICRO RELAYS 12V	
27	00777800213	MICRO BLADE FUSE 15A	
28	00777800212	MICRO BLADE FUSE 10A	
29	00777800214	"MICRO BLADE FUSE 20AMICRO BLADE FUSE 2"	
30	00777800012	RELAY 06020	
31	95599000062	GTS CABLE	
32	92001290005	WIRED BATTERY PLUG	
33	00111970215	RECTANGULAR CAP	
34	00777800239	ELECTRIC DIODE P600K W/CONNECTOR	
35	00111970042	FEMALE KNOB THB20M4	
36	95599000122	CONTACTOR-STARTER POSITIVE CABLE	
37	00111970159	PLUG	

GTS

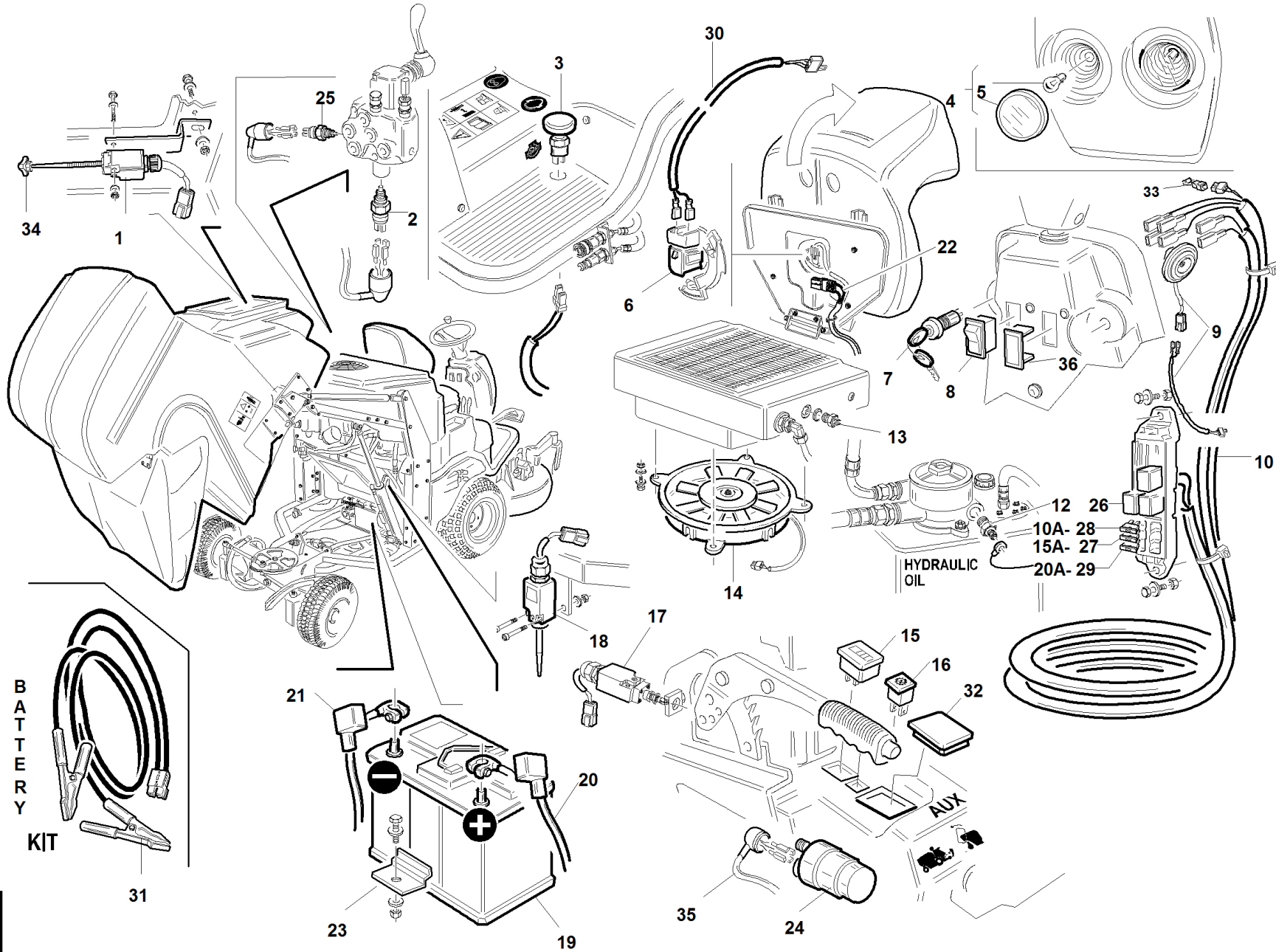


S/N
 → 0901042 ÷ 0902007 ←

REF. 15 - 00555501314

#	P/N	DESCRIPTION	GTS
1	92001290009	FULL HOPPER WIRED MICRO SWITCH	
2	00777800202	PTO MICRO SWITCH	
3	91002140011	DIFFERENTIAL BLOCK SWITCH	
4	00777800137	PROJECTOR	
5	95599000021	LAMP WITH SUPPORT	
6	00777800216	SEAT MICRO SWITCH	
7	00777800222	START SWITCH	
8	00777800007	SWITCH	
9	00777800022	HORN 12V	
10	92001290006	GTS160/200 CENTRAL EL.HARNESS	
12	95599000061	DIFFERENTIAL PRESSURE SWITCH	
13	00777800201	TYHERMOSTAT 50°-60° M22X1,5	
14	95599000058	GTS ELECTRIC FAN (4Kw)	
15	00777800219	HOUR METER	
16	91002140010	OBSTRUCTION FILTER PILOT LIGHT	
17	94011250000	TG 200 HANDBRAKE WIRED MICRO	
18	94500650000	CLOSE HOPPER WIRED MICRO	
19	95599000036	BATTERY 12V 43A	
20	92001290002	POSITIVE BATTERY CABLE	
21	92001290003	NEGATIVE BATTERY CABLE	
22	92001290004	WIRED EMERGENCY BATTERY PLUG	
23	94500000079	BRACKET FIXING BATTERY	
24	00777800012	RELAY 06020	
25	00777800210	THERMOSTAT COBO 95°C	
26	00777800059	MICRO RELAYS 12V	
27	00777800213	MICRO BLADE FUSE 15A	
28	00777800212	MICRO BLADE FUSE 10A	
29	00777800214	"MICRO BLADE FUSE 20AMICRO BLADE FUSE 2"	
30	95599000062	GTS CABLE	
31	92001290005	WIRED BATTERY PLUG	
32	00111970215	RECTANGULAR CAP	
33	00777800239	ELECTRIC DIODE P600K W/CONNECTOR	
34	00111970042	FEMALE KNOB THB20M4	
35	95599000122	CONTACTOR-STARTER POSITIVE CABLE	
36	00111970159	PLUG	

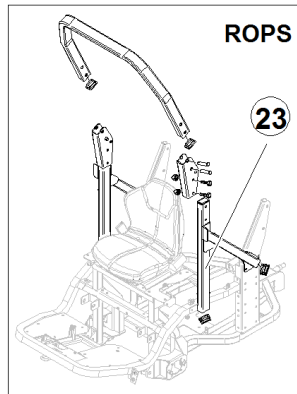
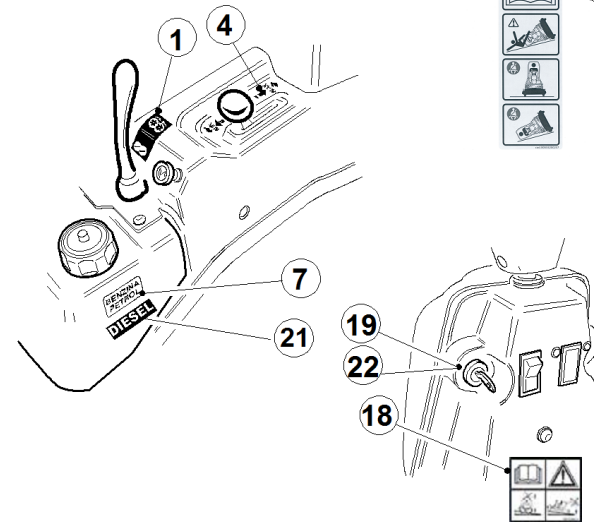
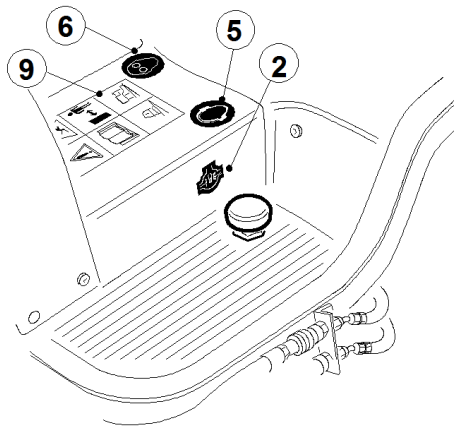
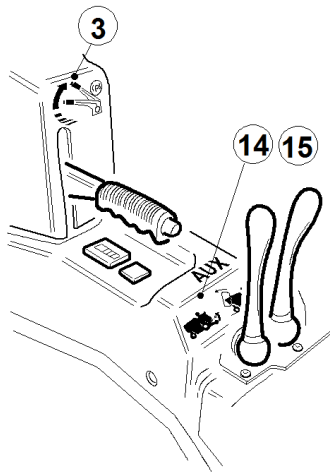
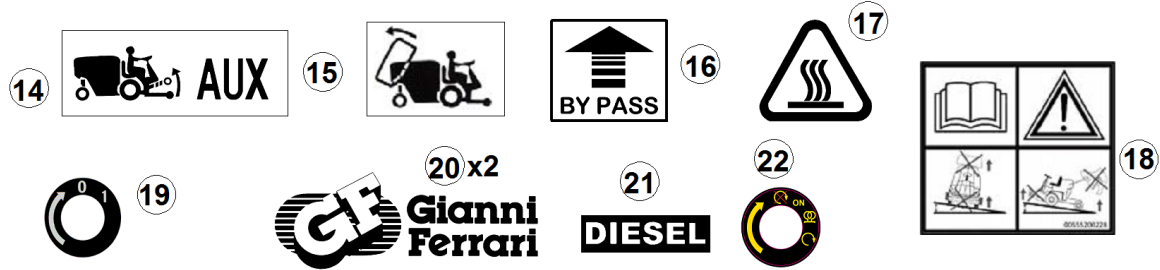
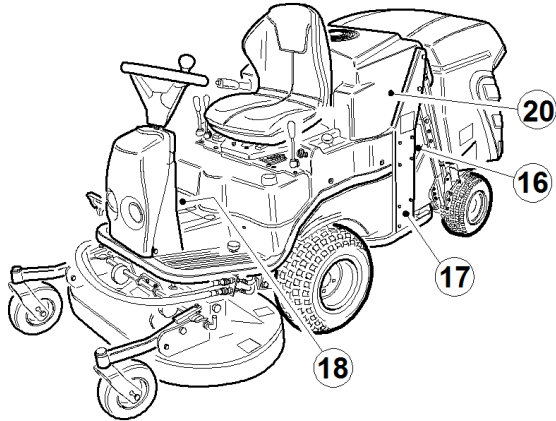
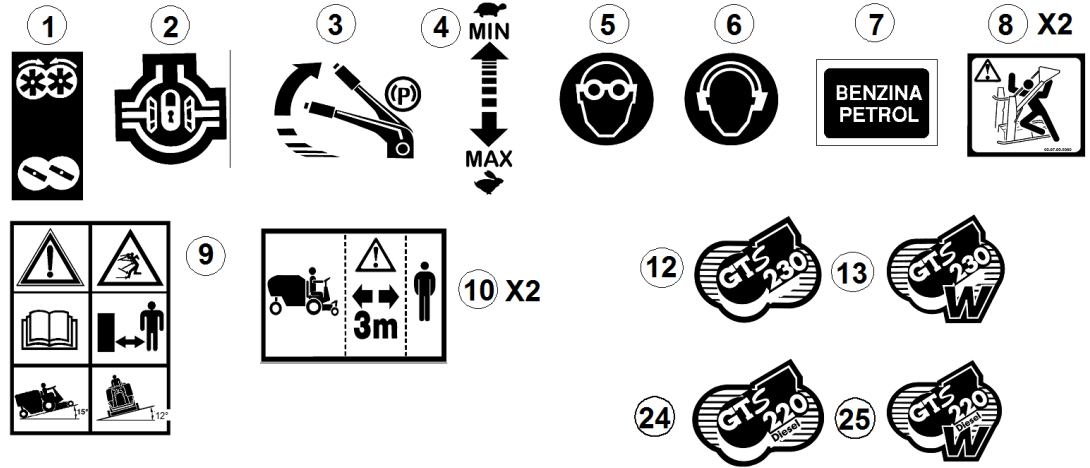
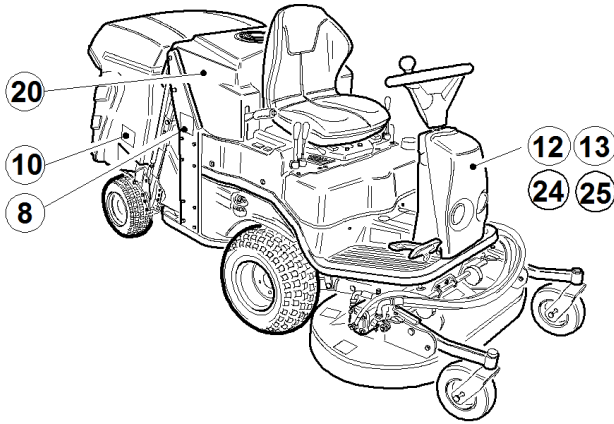
GTS



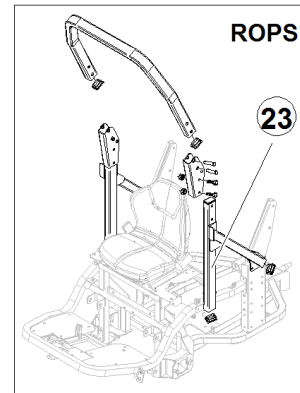
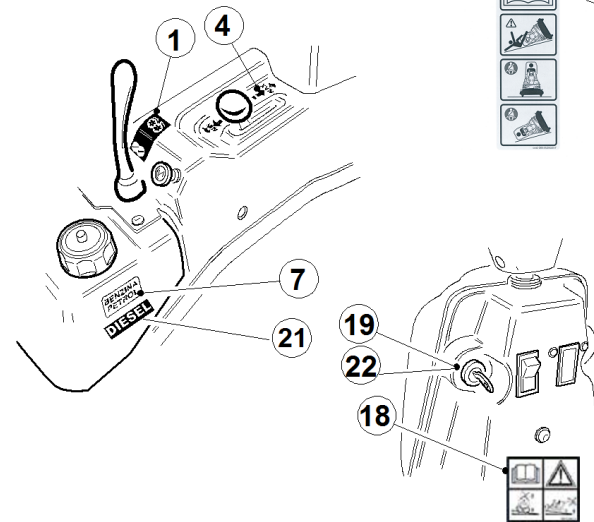
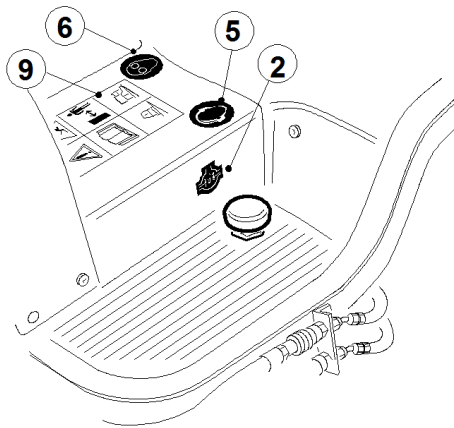
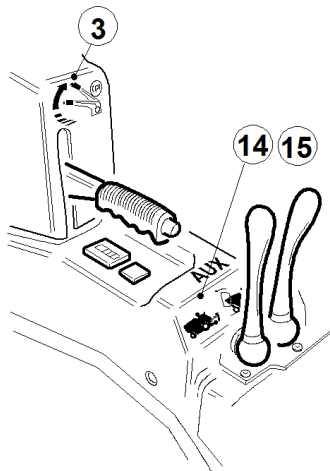
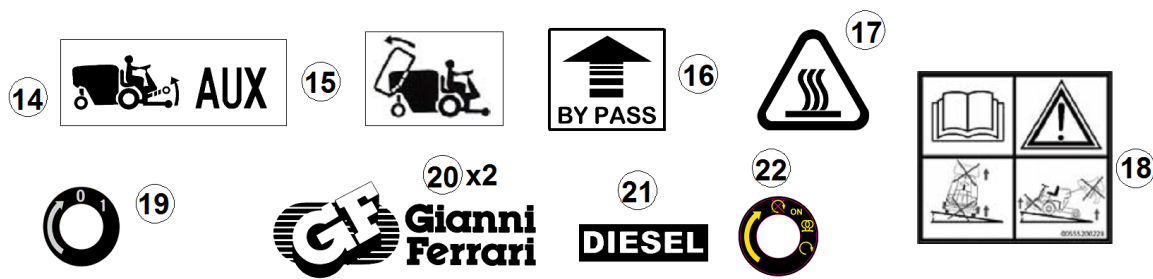
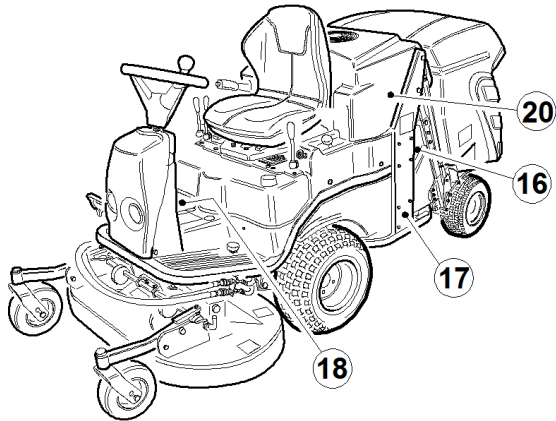
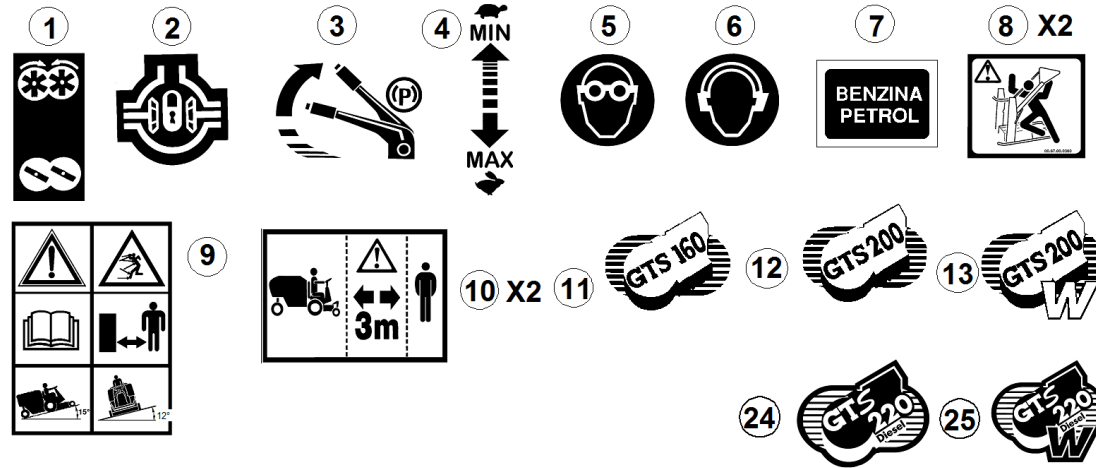
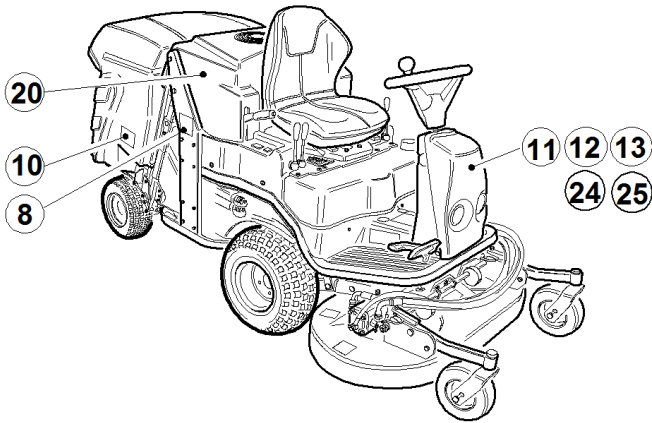
S/N
 → 0811001 ÷ 0901040 ←

REF. 15 - 00555501321

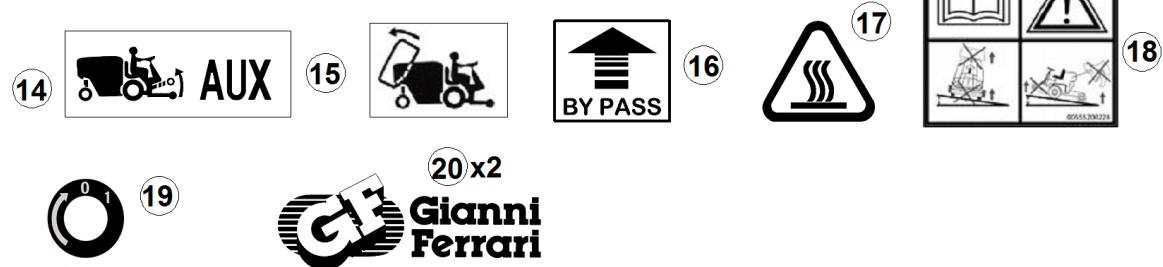
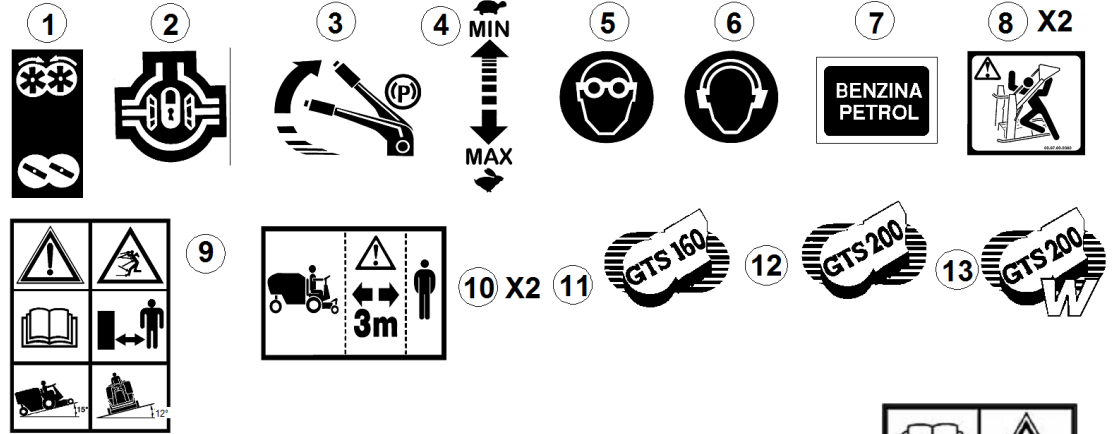
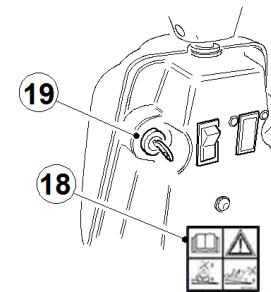
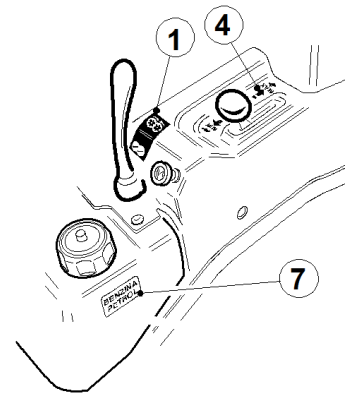
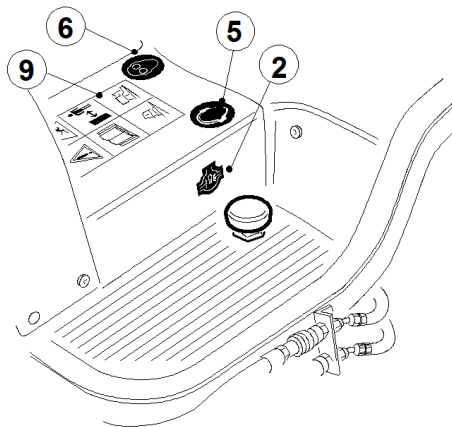
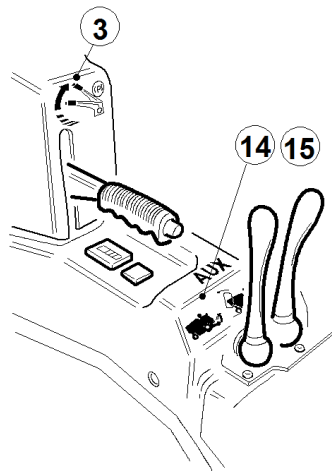
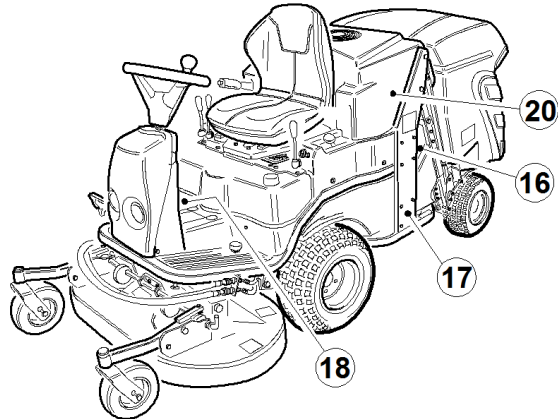
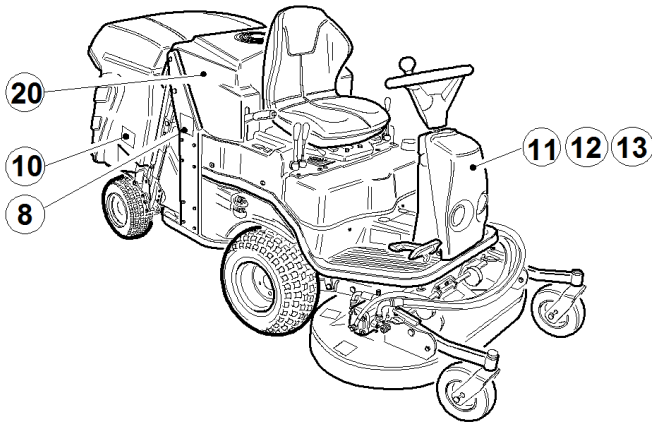
#	P/N	DESCRIPTION	GTS
1	92001290009	FULL HOPPER WIRED MICRO SWITCH	
2	00777800202	PTO MICRO SWITCH	
3	91002140011	DIFFERENTIAL BLOCK SWITCH	
4	00777800137	PROJECTOR	
5	95599000021	LAMP WITH SUPPORT	
6	00777800216	SEAT MICRO SWITCH	
7	00777800222	START SWITCH	
8	00777800007	SWITCH	
9	95598350000	GTS CLAXON KIT	
10	92001290006	GTS160/200 CENTRAL EL.HARNESS	
12	95599000061	DIFFERENTIAL PRESSURE SWITCH	
13	00777800201	TYHERMOSTAT 50°-60° M22X1,5	
14	95599000058	GTS ELECTRIC FAN (4Kw)	
15	00777800219	HOUR METER	
16	91002140010	OBSTRUCTION FILTER PILOT LIGHT	
17	94011250000	TG 200 HANDBRAKE WIRED MICRO	
18	94500650000	CLOSE HOPPER WIRED MICRO	
19	95599000036	BATTERY 12V 43A	
20	92001290002	POSITIVE BATTERY CABLE	
21	92001290003	NEGATIVE BATTERY CABLE	
22	92001290004	WIRED EMERGENCY BATTERY PLUG	
23	94500000079	BRACKET FIXING BATTERY	
24	00777800012	RELAY 06020	
25	00777800210	THERMOSTAT COBO 95°C	
26	00777800059	MICRO RELAYS 12V	
27	00777800213	MICRO BLADE FUSE 15A	
28	00777800212	MICRO BLADE FUSE 10A	
29	00777800214	"MICRO BLADE FUSE 20AMICRO BLADE FUSE 2"	
30	95599000062	GTS CABLE	
31	92001290005	WIRED BATTERY PLUG	
32	00111970215	RECTANGULAR CAP	
33	00777800239	ELECTRIC DIODE P600K W/CONNECTOR	
34	00111970042	FEMALE KNOB THB20M4	
35	95599000122	CONTACTOR-STARTER POSITIVE CABLE	
36	00111970159	PLUG	



#	P/N	DESCRIPTION	GTS
1	00555200006	TRANSFER PRINTING	
2	00555200008	TRANSFER PRINTING BLOC	
3	00555200128	TRANSFER PRINTING BRAKE	
4	00555200127	TRANSFER PRINTING	
5	00555200130	TRANSFER PRINTING EYE PROTECTION	
6	00555200129	TRANSFER PRINT.HEARING PROTEC.	
7	00555200163	"PETROL" FUEL TRANSFER PRINTING	
8	00555200119	TRANSFER PRINTING	
9	00555200143	DANGER TRANSFER PRINTING	
10	00555200018	TRANF. KEEP AWAY	
12	00555200291	GTS 230 W DECAL	
13	00555200290	GTS 230 DECAL	
14	00555200203	TRANSFER PRINTING FOR MOWER DECK & AUX	
15	00555200135	TRANSFER PRINTING	
16	00555200141	TRANSFER PRINTING	
17	00555200142	TRANSFER PRINTING	
18	00555200228	TRANSF.PRINTING"LIFTEDHOPPER+MOWER DECK	
19	00555200013	TRANSFER PRINTING START	
20	00555200165	YELLOW GIANNI FERRARI TRANSF. PRINTING	
21	00555200114	TRANSFER PRINTING "DIESEL"	
22	00555200251		
23	00555200257	ROPS-SAFETY TRANSFER PRINT	
24	00555200250	TRANSF.PRINTING "GTS 220 D"	
25	00555200235	TRANSFER PRINTING "GTS 220 DW"	



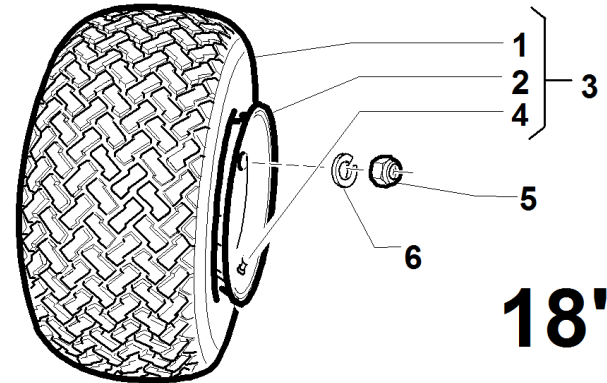
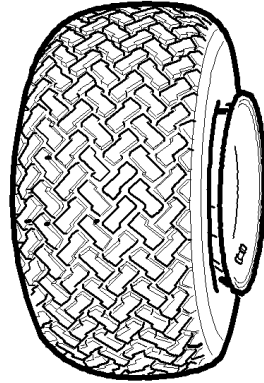
#	P/N	DESCRIPTION	GTS
1	00555200006	TRANSFER PRINTING	
2	00555200008	TRANSFER PRINTING BLOC	
3	00555200128	TRANSFER PRINTING BRAKE	
4	00555200127	TRANSFER PRINTING	
5	00555200130	TRANSFER PRINTING EYE PROTECTION	
6	00555200129	TRANSFER PRINT.HEARING PROTEC.	
7	00555200163	"PETROL" FUEL TRANSFER PRINTING	
8	00555200119	TRANSFER PRINTING	
9	00555200143	DANGER TRANSFER PRINTING	
10	00555200018	TRANF. KEEP AWAY	
11	00555200217	TRANSFER PRINTING "GTS 160"	
12	00555200216	"GTS 200" TRANSFER PRINTING	
13	00555200215	"GTS 200W" TRANSFER PRINTING	
14	00555200203	TRANSFER PRINTING FOR MOWER DECK & AUX	
15	00555200135	TRANSFER PRINTING	
16	00555200141	TRANSFER PRINTING	
17	00555200142	TRANSFER PRINTING	
18	00555200228	TRANSF.PRINTING"LIFTEDHOPPER+MOWER DECK	
19	00555200013	TRANSFER PRINTING START	
20	00555200165	YELLOW GIANNI FERRARI TRANSF. PRINTING	
21	00555200114	TRANSFER PRINTING "DIESEL"	
22	00555200251		
23	00555200257	ROPS-SAFETY TRANSFER PRINT	
24	00555200250	TRANSF.PRINTING "GTS 220 D"	
25	00555200235	TRANSFER PRINTING "GTS 220 DW"	



#	P/N	DESCRIPTION	GTS
1	00555200006	TRANSFER PRINTING	
2	00555200008	TRANSFER PRINTING BLOC	
3	00555200128	TRANSFER PRINTING BRAKE	
4	00555200127	TRANSFER PRINTING	
5	00555200130	TRANSFER PRINTING EYE PROTECTION	
6	00555200129	TRANSFER PRINT.HEARING PROTEC.	
7	00555200163	"PETROL" FUEL TRANSFER PRINTING	
8	00555200119	TRANSFER PRINTING	
9	00555200143	DANGER TRANSFER PRINTING	
10	00555200018	TRANF. KEEP AWAY	
11	00555200217	TRANSFER PRINTING "GTS 160"	
12	00555200216	"GTS 200" TRANSFER PRINTING	
13	00555200215	"GTS 200W" TRANSFER PRINTING	
14	00555200203	TRANSFER PRINTING FOR MOWER DECK & AUX	
15	00555200135	TRANSFER PRINTING	
16	00555200141	TRANSFER PRINTING	
17	00555200142	TRANSFER PRINTING	
18	00555200228	TRANSF.PRINTING"LIFTEDHOPPER+MOWER DECK	
19	00555200013	TRANSFER PRINTING START	
20	00555200165	YELLOW GIANNI FERRARI TRANSF. PRINTING	
21	00555200114	TRANSFER PRINTING "DIESEL"	
22	00555200251		
23	00555200257	ROPS-SAFETY TRANSFER PRINT	

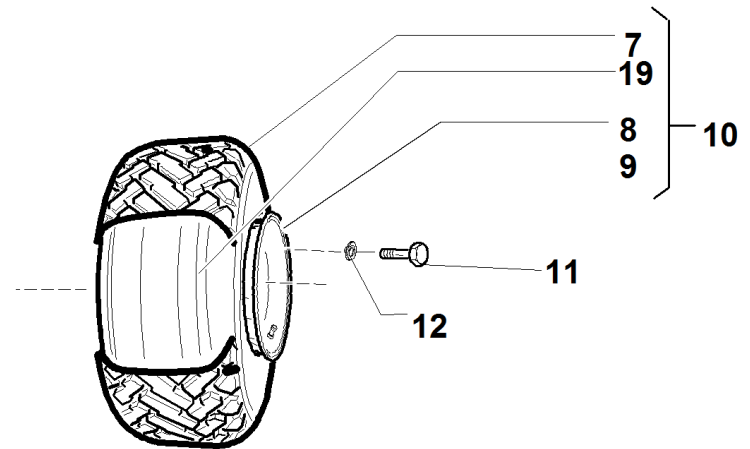
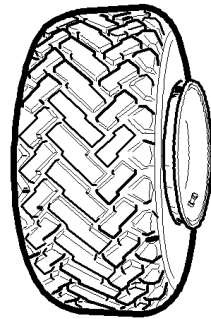
TRELLEBORG

GTS

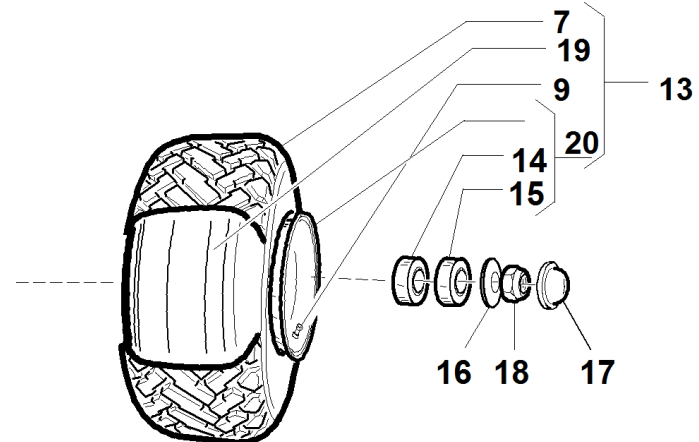
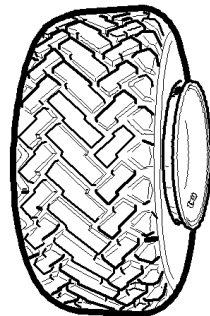


18"

4WD



2WD



13"

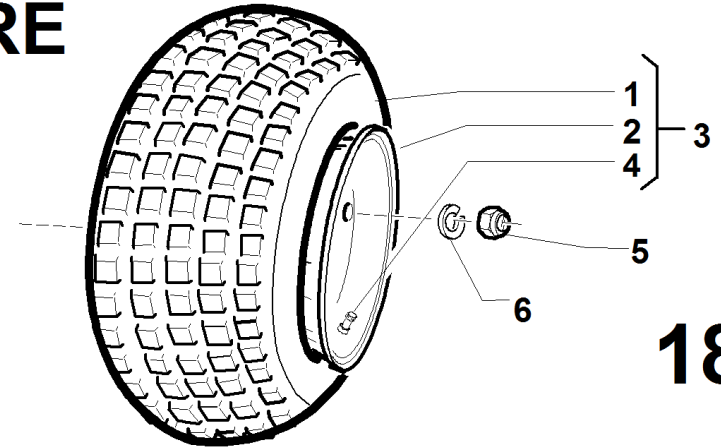
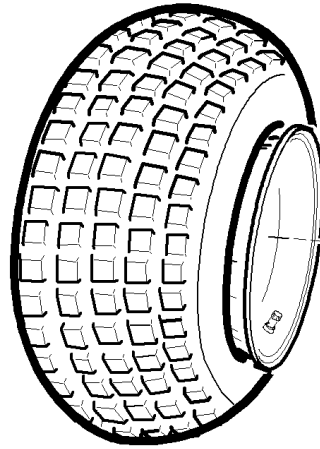
S/N
→1104037

REF. 17 - 00555501333

#	P/N	DESCRIPTION	GTS
1	00111940030	TRELLEBORG 18X8.50-8 4PR TYRE	
2	92001640001	WHEEL RIM	
3	92001640000	COMPLETE WHEEL 18X8.50-8	
4	00111930006	TUBELESS VALVE TR413	
5	00111250009	SELF BL. NUT M12X1.5	
6	00111550004	ELASTIC WASHER M12	
7	00111940013	PNEUMATIC TRELLEBROG 140-6 4T539	
8	92001160001	RIM 3.75X6" (4 HOLES Ø85)	
9	00111930006	TUBELESS VALVE TR413	
10	92002160000	COMPLETE WHEEL 140-6 (4WD)	
11	00111300055	SCREW TE M12X1,25X25	
12	00111550004	ELASTIC WASHER M12	
13	92003120000	WHEEL 140-6 (2WD)	
14	00777100008	BEARING 6204 2RS 20x47x14	
15	00777100028	KOYO BEARING 6303 2RS	
16	95303110004	SPACER D14.5XD35X3	
17	00777270005	CAP D=47	
18	00111250011	SELF BL. NUT M14x1,5	
19	00111930001	CARLISE WHEEL 20X10.00-8	
20	92003110001	WHEEL RIM 3.75X6"	

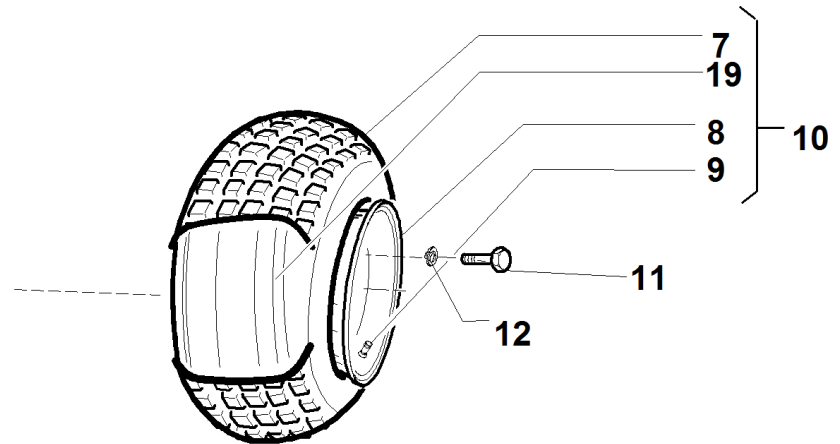
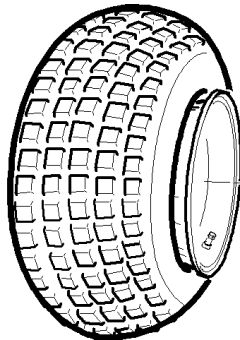
GTS

KING TIRE

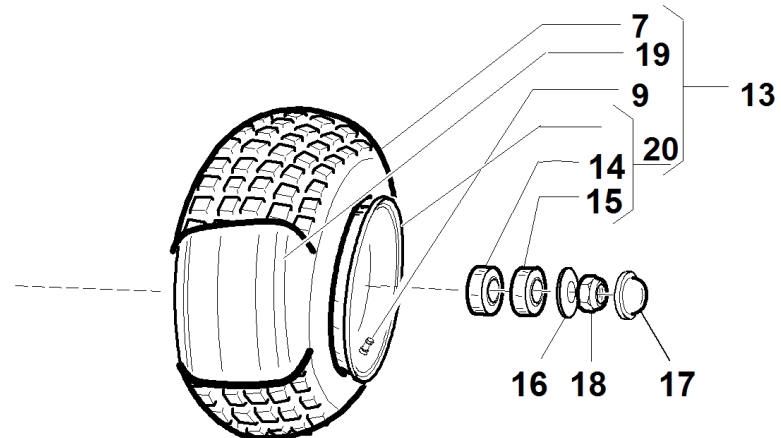
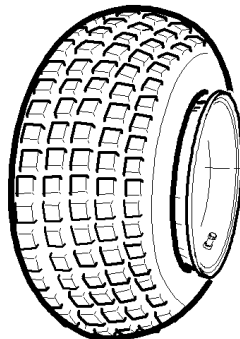


18"

4WD



2WD



13"

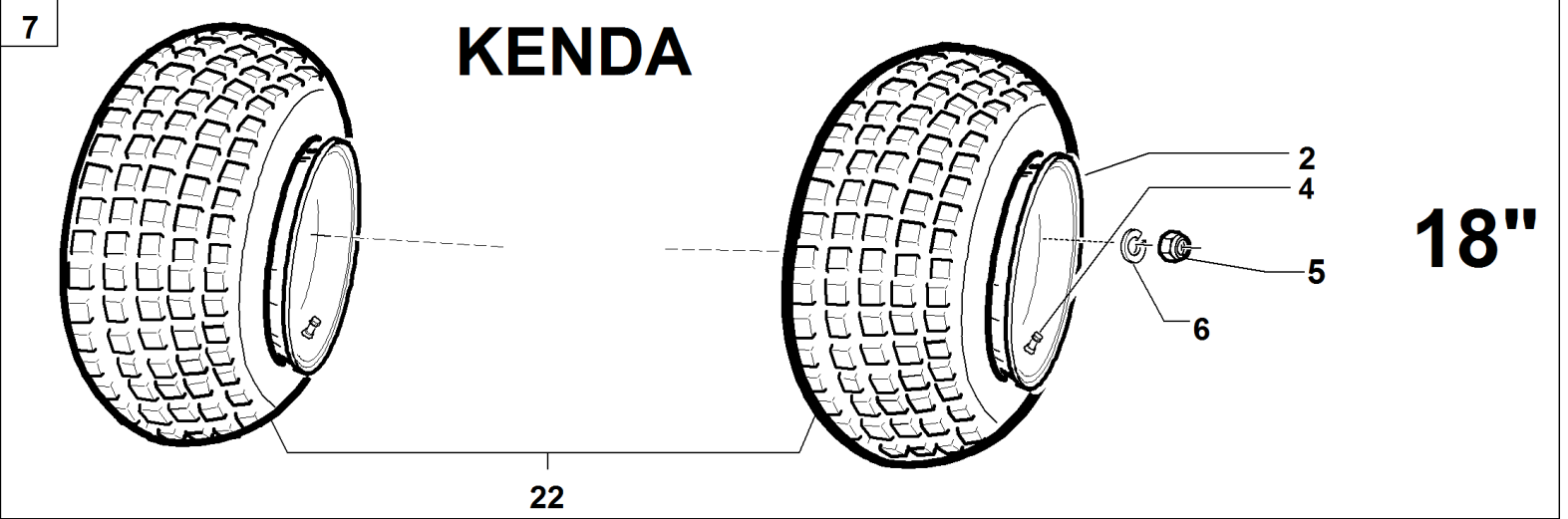
S/N

→ 0903012 ÷ 1104036 ←

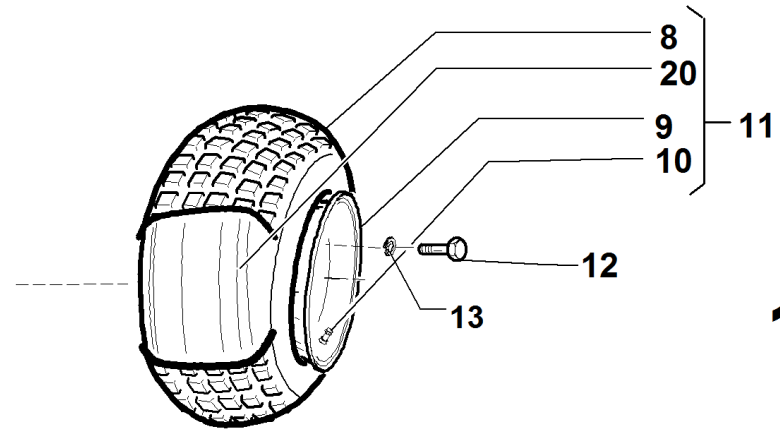
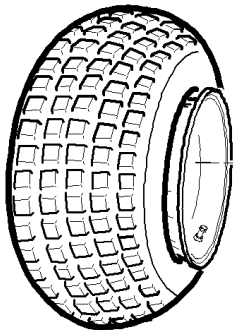
REF. 17 - 00555501318

#	P/N	DESCRIPTION	GTS
1	00111940028	KING TIRE18X8.00-8 4PR	
2	92001170001	WHEEL RIM 5.75X8"	
3	92001510000	WHEEL 18X8.00-8	
4	00111930006	TUBELESS VALVE TR413	
5	00111250009	SELF BL. NUT M12X1.5	
6	00111550004	ELASTIC WASHER M12	
7	00111940014	TYRE 13X5.00-6	
8	92001160001	RIM 3.75X6" (4 HOLES Ø85)	
9	00111930006	TUBELESS VALVE TR413	
10	92001160000	WHEEL 13X5.00-6	
11	00111300055	SCREW TE M12X1,25X25	
12	00111550004	ELASTIC WASHER M12	
13	92003110000	WHEEL 13X5.00-6	
14	00777100008	BEARING 6204 2RS 20x47x14	
15	00777100028	KOYO BEARING 6303 2RS	
16	95303110004	SPACER D14.5XD35X3	
17	00777270005	CAP D=47	
18	00111250011	SELF BL. NUT M14x1,5	
19	00111930001	CARLISE WHEEL 20X10.00-8	
20	92003110001	WHEEL RIM 3.75X6"	

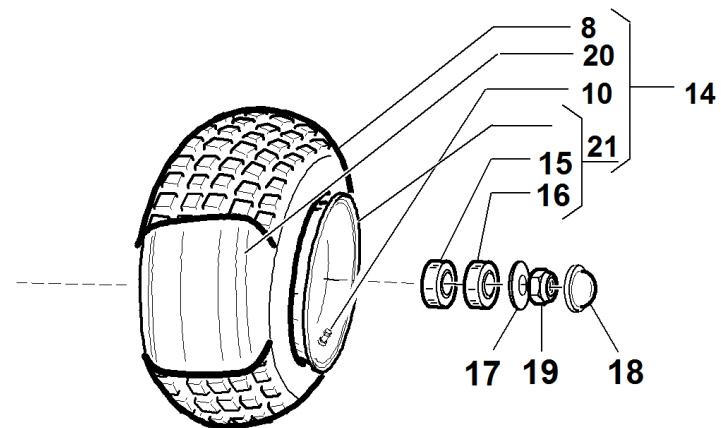
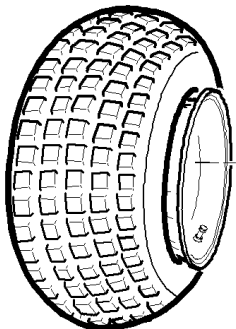
GTS



4WD



2WD



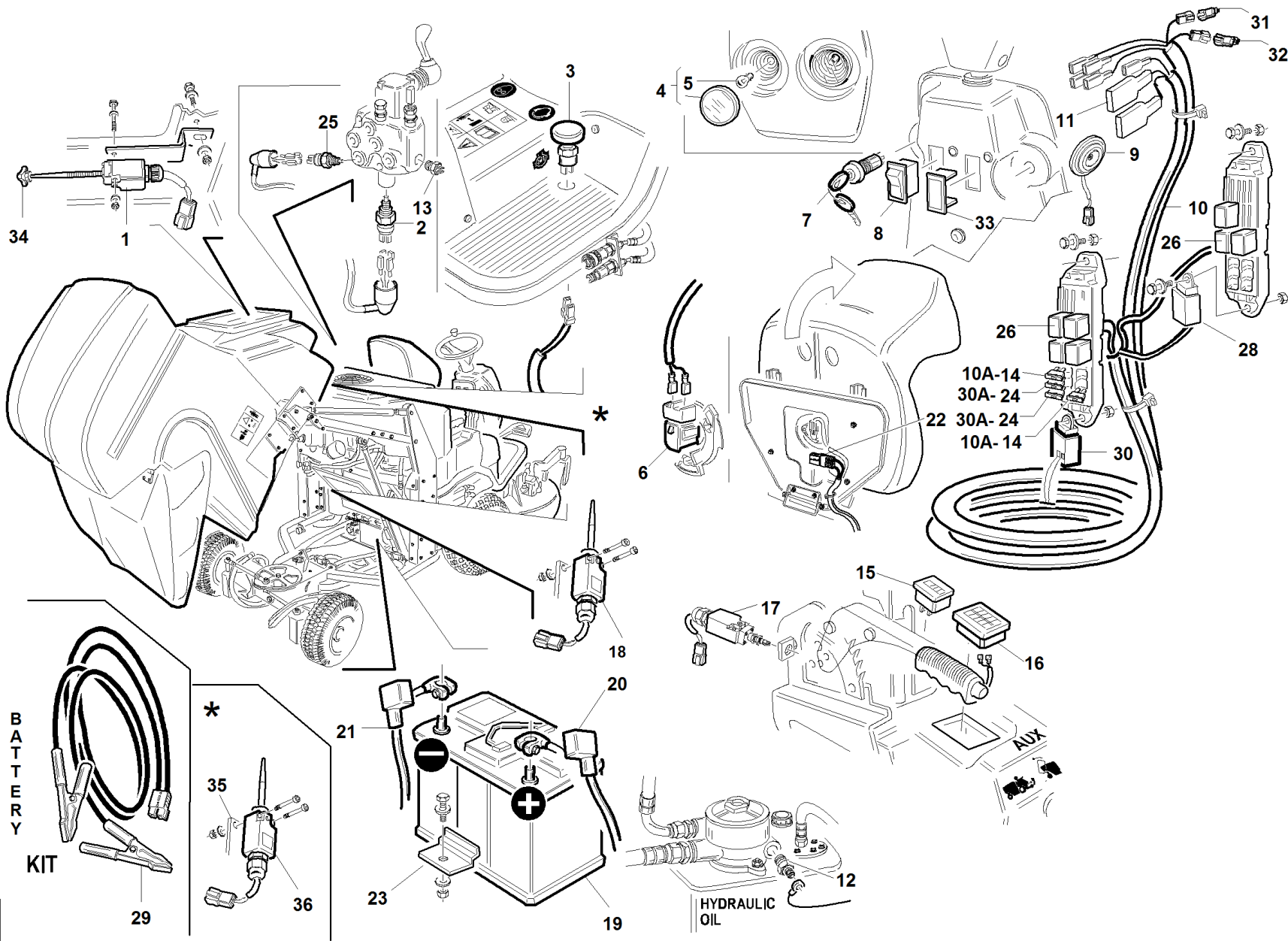
S/N

→ **0811001 ÷ 0903011** ←

REF. 17 - 00555501317

#	P/N	DESCRIPTION	GTS
2	92001170001	WHEEL RIM 5.75X8"	
4	00111930006	TUBELESS VALVE TR413	
5	00111250009	SELF BL. NUT M12X1.5	
6	00111550004	ELASTIC WASHER M12	
7	95598480000	KING TIRE WHEEL PAIR 18X8.00-8 4PR	
8	00111940014	TYRE 13X5.00-6	
9	92001160001	RIM 3.75X6" (4 HOLES Ø85)	
10	00111930006	TUBELESS VALVE TR413	
11	92001160000	WHEEL 13X5.00-6	
12	00111300055	SCREW TE M12X1,25X25	
13	00111550004	ELASTIC WASHER M12	
14	92003110000	WHEEL 13X5.00-6	
15	00777100008	BEARING 6204 2RS 20x47x14	
16	00777100028	KOYO BEARING 6303 2RS	
17	95303110004	SPACER D14.5XD35X3	
18	00777270005	CAP D=47	
19	00111250011	SELF BL. NUT M14x1,5	
20	00111930001	CARLISE WHEEL 20X10.00-8	
21	92003110001	WHEEL RIM 3.75X6"	
22	95598610000	PNEUMATIC PAIR KING TIRE	

GTS-DIESEL

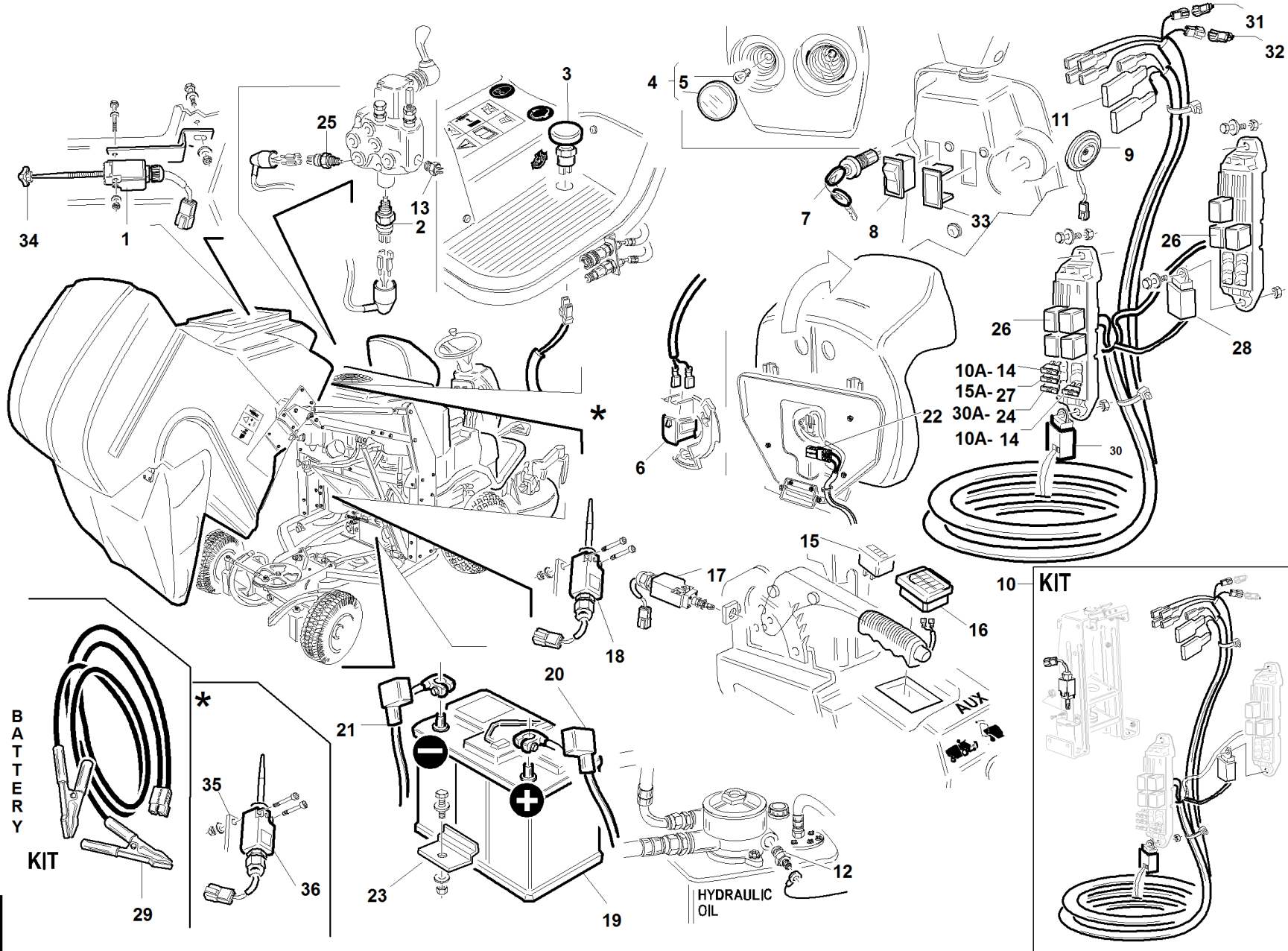


S/N
→1202006

REF. 18 - 00555501340

1	92001290009	FULL HOPPER WIRED MICRO SWITCH		
2	00777800202	PTO MICRO SWITCH		
3	91002140011	DIFFERENTIAL BLOCK SWITCH		
4	00777800137	PROJECTOR		
5	95599000021	LAMP WITH SUPPORT		
6	00777800216	SEAT MICRO SWITCH		
7	00777800130	KUBOTA KEY BLOCK		
8	00777800007	SWITCH		
9	00777800022	HORN 12V		
10	92006120005			
11	00777800228	TIMER PANEL		
12	95599000061	DIFFERENTIAL PRESSURE SWITCH		
13	00777800227	PRESSURE SWITCH		
14	00777800212	MICRO BLADE FUSE 10A		
15	00777800219	HOUR METER		
16	00777800232	PILOT LIGHTS INSTRUMENT		
17	94011250000	TG 200 HANDBRAKE WIRED MICRO		
18	94500650000	CLOSE HOPPER WIRED MICRO		
19	95599000036	BATTERY 12V 43A		
20	92006120002			
21	92006120003			
22	92001290004	WIRED EMERGENCY BATTERY PLUG		
23	94500000079	BRACKET FIXING BATTERY		
24	00777800231	MICRO BLADE FUSE 30A		
25	00777800211	THERMOSTAT EUROS SWITCH 95°C		
26	00777800059	MICRO RELAYS 12V		
28	00777800173	KUBOTA RELAY T0070-31410		
29	92001290005	WIRED BATTERY PLUG		
30	00777800234	RELE PRERISCALDO KUBOTA NGK LAMPTIMER DC		
31	00777800236	ELECTRIC DIODE IN 400 1A W/CONNECTOR		
32	00777800235	ELECTRIC DIODE BY 255 3A W/CONNECTOR		
33	00111970159	PLUG		
34	00111970042	FEMALE KNOB THB20M4		
35	92006000030	ENGINE-COVER MICROSWITCH SUPPORT		
36	91008110003	CLOSED HOOD WIRED MICRO SWITCH		
37	95410140002			
38	00111000035	SELF BLOC. NUT M6		
39	92111000005			

GTS-DIESEL

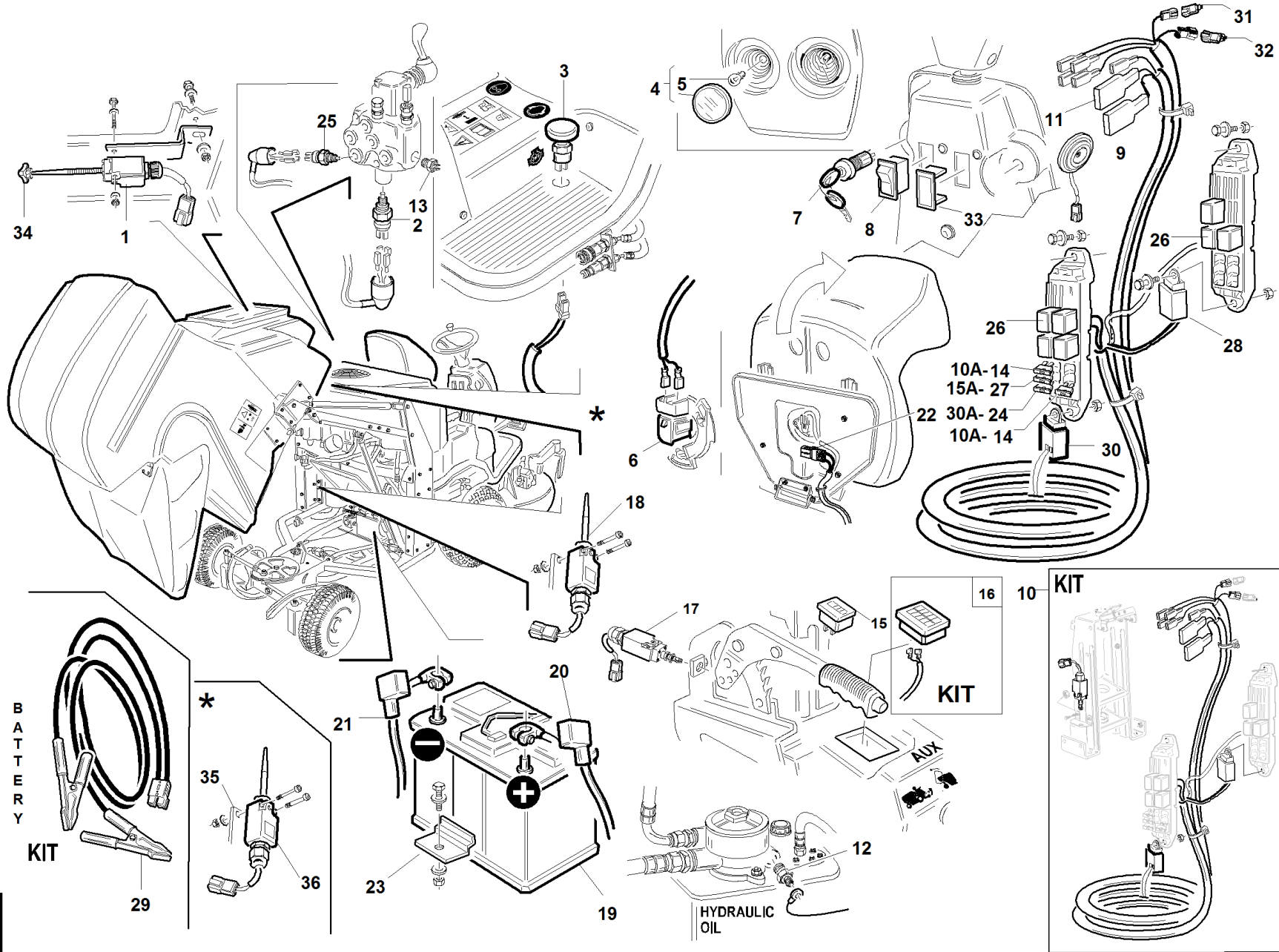


S/N
 → 1104009 ÷ 1202005 ←

REF. 18 - 0055501332

#	P/N	DESCRIPTION	GTS-DIESEL	REF. 18 - 0055501332
1	92001290009	FULL HOPPER WIRED MICRO SWITCH		
2	00777800202	PTO MICRO SWITCH		
3	91002140011	DIFFERENTIAL BLOCK SWITCH		
4	00777800137	PROJECTOR		
5	95599000021	LAMP WITH SUPPORT		
6	00777800216	SEAT MICRO SWITCH		
7	00777800230	DIESEL COBO STARTER SWITCH		
8	00777800007	SWITCH		
9	00777800022	HORN 12V		
10	95597180000			
11	00777800228	TIMER PANEL		
12	95599000061	DIFFERENTIAL PRESSURE SWITCH		
13	00777800227	PRESSURE SWITCH		
14	00777800212	MICRO BLADE FUSE 10A		
15	00777800219	HOUR METER		
16	00777800232	PILOT LIGHTS INSTRUMENT		
17	94011250000	TG 200 HANDBRAKE WIRED MICRO		
18	94500650000	CLOSE HOPPER WIRED MICRO		
19	95599000036	BATTERY 12V 43A		
20	92006120002			
21	92006120003			
22	92001290004	WIRED EMERGENCY BATTERY PLUG		
23	94500000079	BRACKET FIXING BATTERY		
24	00777800231	MICRO BLADE FUSE 30A		
25	00777800211	THERMOSTAT EUROS SWITCH 95°C		
26	00777800059	MICRO RELAYS 12V		
27	00777800213	MICRO BLADE FUSE 15A		
28	00777800173	KUBOTA RELAY T0070-31410		
29	92001290005	WIRED BATTERY PLUG		
30	00777800234	RELE PRERISCALDO KUBOTA NGK LAMPTIMER DC		
31	00777800236	ELECTRIC DIODE IN 400 1A W/CONNECTOR		
32	00777800235	ELECTRIC DIODE BY 255 3A W/CONNECTOR		
33	00111970159	PLUG		
34	00111970042	FEMALE KNOB THB20M4		
35	92006000030	ENGINE-COVER MICROSWITCH SUPPORT		
36	91008110003	CLOSED HOOD WIRED MICRO SWITCH		

GTS-DIESEL

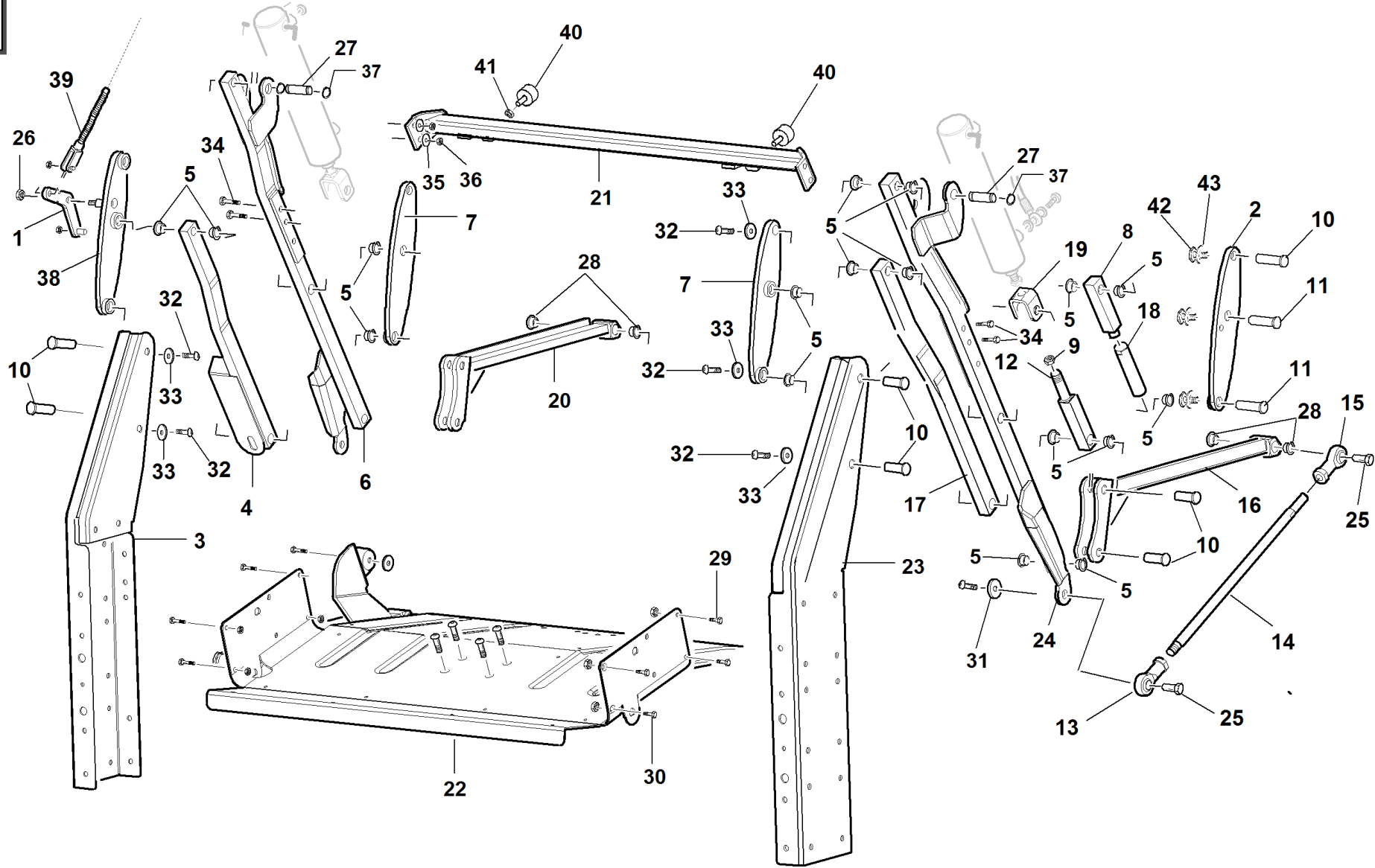


S/N
 → 1003053 ÷ 1103909 ←

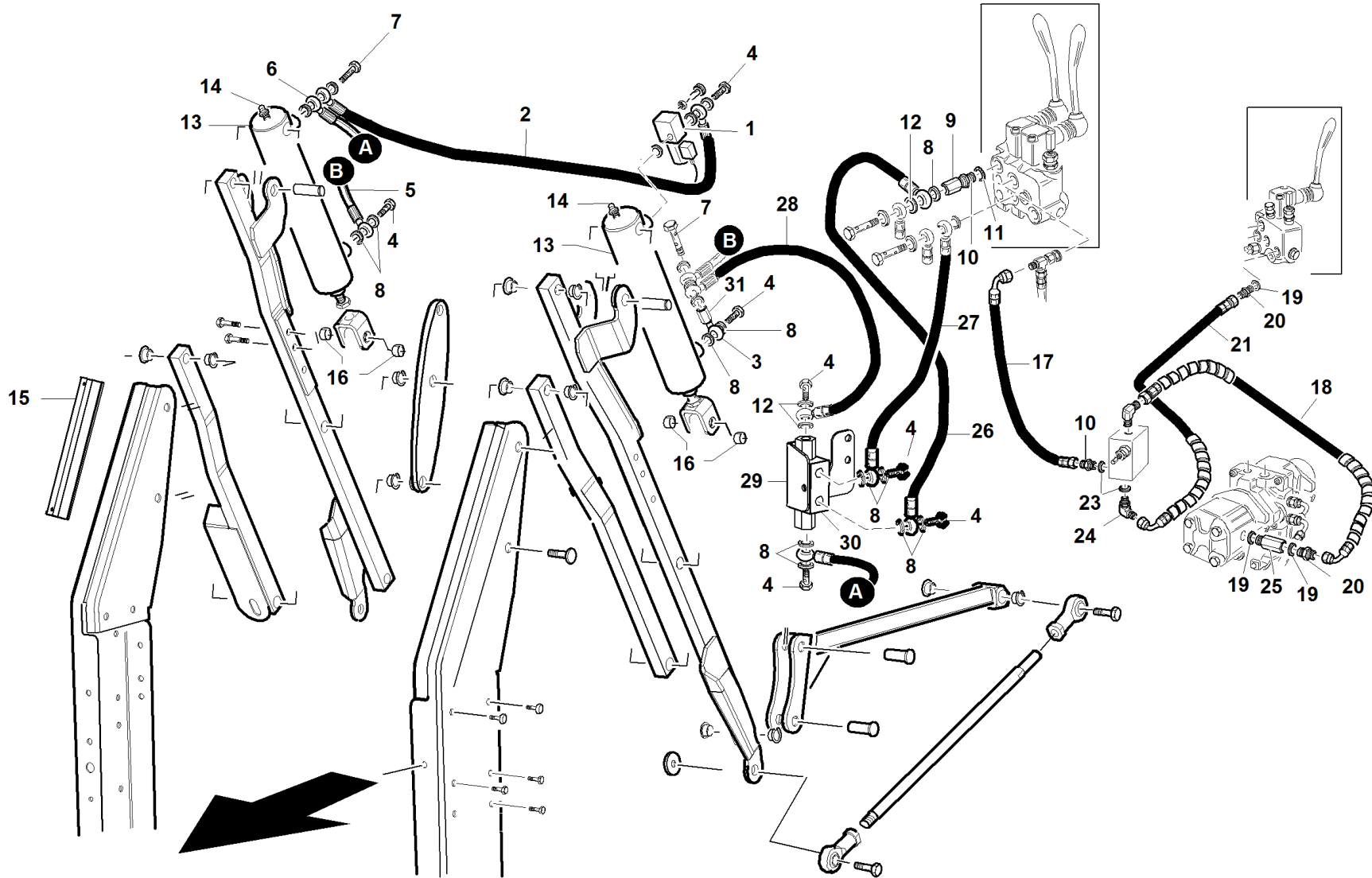
REF. 18 - 00555501325

#	P/N	DESCRIPTION	GTS-DIESEL	REF. 18 - 0055501325
1	92001290009	FULL HOPPER WIRED MICRO SWITCH		
2	00777800202	PTO MICRO SWITCH		
3	91002140011	DIFFERENTIAL BLOCK SWITCH		
4	00777800137	PROJECTOR		
5	95599000021	LAMP WITH SUPPORT		
6	00777800216	SEAT MICRO SWITCH		
7	00777800230	DIESEL COBO STARTER SWITCH		
8	00777800007	SWITCH		
9	00777800022	HORN 12V		
10	95597180000			
11	00777800228	TIMER PANEL		
12	95599000061	DIFFERENTIAL PRESSURE SWITCH		
13	00777800227	PRESSURE SWITCH		
14	00777800212	MICRO BLADE FUSE 10A		
15	00777800219	HOUR METER		
16	95598710000	PILOT LIGHTS INSTRUMENT KIT		
17	94011250000	TG 200 HANDBRAKE WIRED MICRO		
18	94500650000	CLOSE HOPPER WIRED MICRO		
19	95599000036	BATTERY 12V 43A		
20	92006120002			
21	92006120003			
22	92001290004	WIRED EMERGENCY BATTERY PLUG		
23	94500000079	BRACKET FIXING BATTERY		
24	00777800231	MICRO BLADE FUSE 30A		
25	00777800211	THERMOSTAT EUROS SWITCH 95°C		
26	00777800059	MICRO RELAYS 12V		
27	00777800213	MICRO BLADE FUSE 15A		
28	00777800173	KUBOTA RELAY T0070-31410		
29	92001290005	WIRED BATTERY PLUG		
30	00777800234	RELE PRERISCALDO KUBOTA NGK LAMPTIMER DC		
31	00777800236	ELECTRIC DIODE IN 400 1A W/CONNECTOR		
32	00777800235	ELECTRIC DIODE BY 255 3A W/CONNECTOR		
33	00111970159	PLUG		
34	00111970042	FEMALE KNOB THB20M4		
35	92006000030	ENGINE-COVER MICROSWITCH SUPPORT		
36	91008110003	CLOSED HOOD WIRED MICRO SWITCH		

GTS



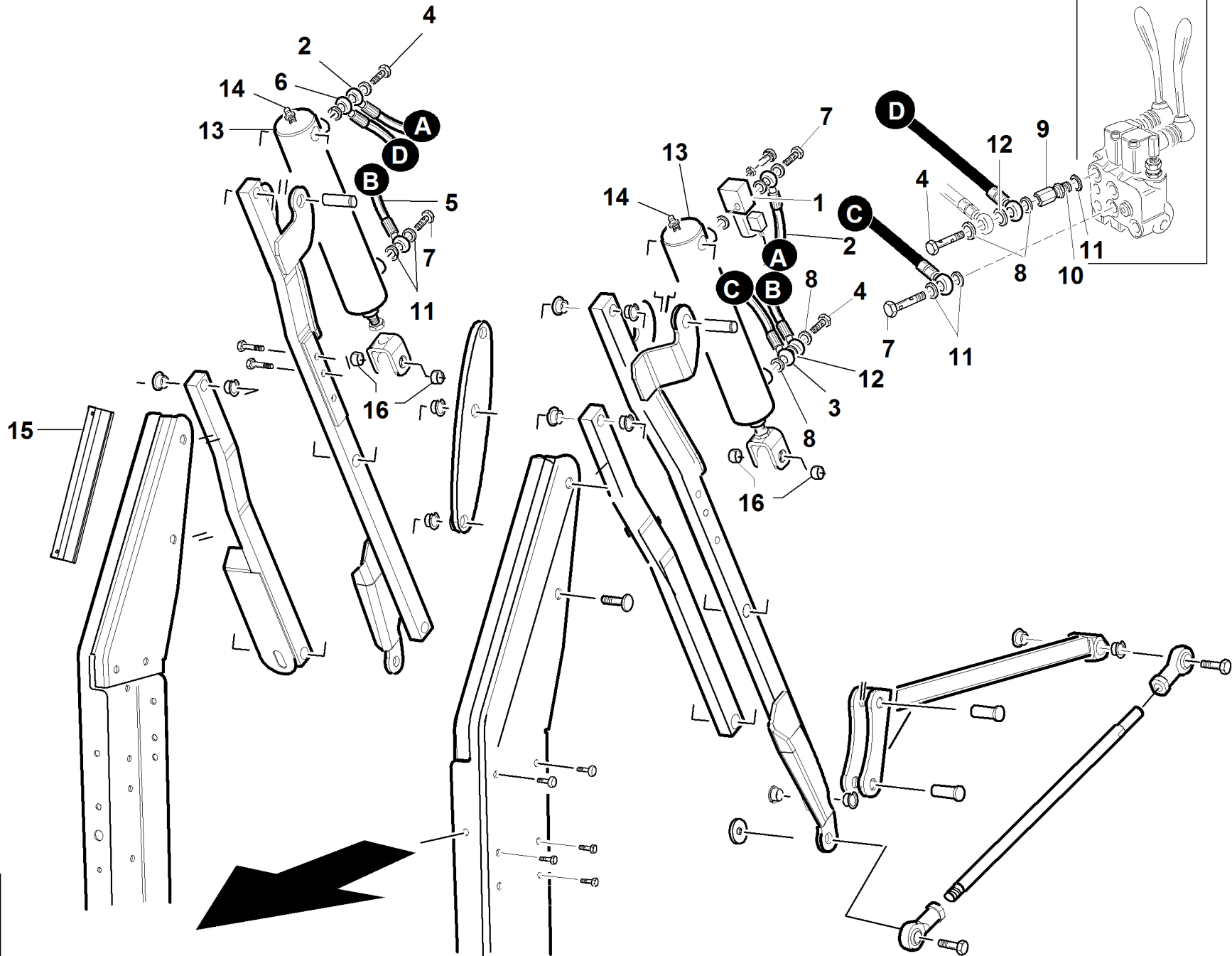
#	P/N	DESCRIPTION	GTS
1	92007000009	HOPPER OPEN BAR	
2	92007170000	HOPPER LIFT LEFY EXT. BAR	
3	94500330000	RIGHT OVERTURNING HOPPER COLUMN	
4	92007210000	HOPPER LIFTING ARM LOWER	
5	00111530003	BUSHING TFF 14X16 L=9	
6	92007130000	HOPPER LIFTING RIGHT ARM	
7	92007190000	HOPPER LIFT INT. BAR	
8	94500000005	ARM BUSHING M16X1.5	
9	00111150005	NUT M16X1.5	
10	92007000007	LIFTING BAR PIN Ø14	
11	92007000008	LIFTING BAR PIN Ø16	
12	94500000006	BUSHING M16X1.5	
13	00777200028	ARTICULATION HEAD TF14 RIGHT SPHEROX	
14	92007000003	HOPPER OVERTURNING ROD	
15	00777200029	ARTICULATION HEAD TFL14 SX SPHEROX	
16	92007140000	HOPPER LIFTING LEFT ARM	
17	92007000004	LOWER HOPPER LIFT ARM	
18	92007000002	THREADED ROUND ROD	
19	92007000005	LIFTING CYLINDER FORK	
20	92007150000	HOPPER LIFTING RIGHT ARM	
21	92007200000	HOPPER LIFT. CROSS BAR	
22	92007160000	HOPPER BOTTOM COMPL.	
23	94500340000	LEFT OVERTURNING HOPPER COLUMN	
24	92007120000	HOPPER LIFT ARM LEFT	
25	92007000014	SHAFT-TYE ROD HOPPER LIFT.	
26	00111000080	SELF BLO. SCREW M10	
27	92007000006	LIFTING CYL. FIXING PIN	
28	00111530013	BUSHING FRIMET TFF 16/18/9	
29	00111350023	SCREW TSPEI M6X20	
30	00111300011	SCREW TE M6X20	
31	00111000132	WASHER P. 8,4X32X2,5 ZNT	
32	00111450014	SCREW FR M6X12	
33	00111000037	WASHER 6.6X18X2	
34	00111300059	SCREW TE M10X45	
35	00111000015	WASHER D.10,5X21X2	
36	00111250013	SELF BL.NUT M10	
37	00111650014	SNAP RING D.17 E	
38	92007180000	HOPPER LIFT RIGHT EXT.BAR	
39	92007000012	OPENING HOPPER CABLE	
40	00111970179	VIBRATION-DAMPING STOPPER	
41	00111000082	NUT M8	
42	00111450014	SCREW FR M6X12	
43	00111000037	WASHER 6.6X18X2	



S/N
→1009017

REF. 20 - 00555501327

#	P/N	DESCRIPTION	GTS
1	92007000001	HIGH DUMP ELECTRIC VALVE	
2	92007110001	HOSE 1/4" 1SC	
3	00777600108	"THREATED EYES 1/4 X 1/4"	
4	00777600040	SIMPLE CABLE BOLT	
5	92007110004	HOSE 1/4" 1SC	
6	92007110007	HOSE 1/4" 1SC	
7	00777600039	DOUBLE CABLE BOLT	
8	00777600001	WASHER COPPER 1/4	
9	00777600138	EXTENSION 1/4 L=35	
10	00777600015	NIPPLE 3/8	
11	00777600003	WASHER COPPER 3/8	
12	00777600038	WASHER BONDED 1/4	
13	92007101001	LIFT CYLINDER	
14	00111000036	GREASER M6	
15	92007000018	EL.VALVE WIRE HARNESS PROTECTION	
16	00111530014	BUSHING FRIMET TFP M1405	
17	92006180012	HOSE	
18	92006180013	HOSE 1/2 2SC F90°1/2-F1/2 L=530 +SPIRALE	
19	00777600128	WASHER 1/2	
20	00777600125	NIPPLE 1/2 - 1/2	
21	92006180014	HOSE 1/2	
23	00777600003	WASHER COPPER 3/8	
24	00777600191		
25	00777600192		
26	92007110005	TUBE 1/4 1SC OC1/4-OC1/4 L=880 135°	
27	92007110006	TUBE 1/4 1SC OC1/4-OC3/8 L=880 135°	
28	92007110008	HOSE 1/4" 1SC	
29	92007000017		
30	92007000016	BLOCK VALVE	
31	00777600138	EXTENSION 1/4 L=35	



S/N

→ **0811001 ÷ 1009016** ←

REF. 20 - 00555501341

#

P/N

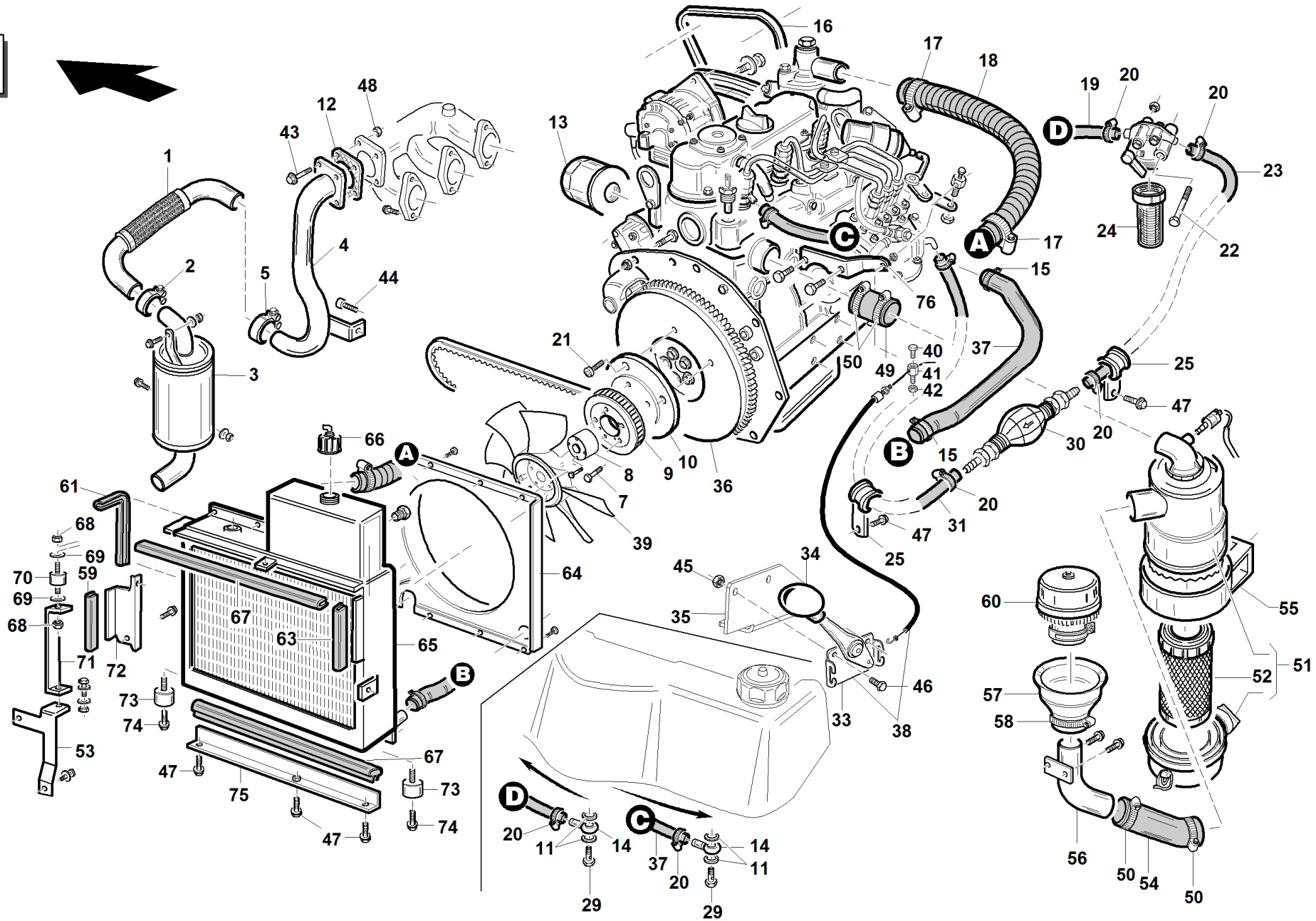
DESCRIPTION

GTS

REF. 20 - 00555501341

1	92007000001	HIGH DUMP ELECTRIC VALVE	
2	92007110001	HOSE 1/4" 1SC	
3	92007110003	HOSE 1/4" 1SC	
4	00777600039	DOUBLE CABLE BOLT	
5	92007110004	HOSE 1/4" 1SC	
6	92007110002	HOSE 1/4" 1SC	
7	00777600133	DOUBLE CABLE BOLT	
8	00777600001	WASHER COPPER 1/4	
9	00777600138	EXTENSION 1/4 L=35	
10	00777600015	NIPPLE 3/8	
11	00777600003	WASHER COPPER 3/8	
12	00777600038	WASHER BONDED 1/4	
13	92007101001	LIFT CYLINDER	
14	00111000036	GREASER M6	
15	92007000018	EL.VALVE WIRE HARNESS PROTECTION	
16	00111530014	BUSHING FRIMET TFP M1405	

KUBOTA 902



1	92006000020	FLEXIBLE EXHAUST COLLECTOR		
2	00111810038			
3	92006000028	GTS220D EXHAUST		
4	92006000019	EXHAUST MANIFOLD		
5	00111810039	CLAMP		
6	00111300100			
7	00111000033	SCREW TE M8X30		
8	92006000011	FAN CLAMPING SPACER		
9	92006100000	DRIVING PULLEY "POLY CHAIN 8M-45S"		
10	92006000010			
11	00777600003	WASHER COPPER 3/8		
12	00111990137			
13	00777650046	KUBOTA ENGINE OIL FILTER		
14	00777600142	METAL EYELET 3/8-1/4		
15	00111810013	CLAMP 20-32 TYPE NORMA		
16	00111980028	BELT KUBOTA		
17	00111810033	CLAMP INOX 25-40		
18	92006000004	RADIATOR INTAKE HOSE		
19	92006000032			
20	00111810010	CLAMP 10-16 TYPE NORMA		
21	00111400045			
22	00111300025	SCREW TE M6X50		
23	95317000004	PETROL HOSE		
24	00777650047	KUBOTA FUEL FILTER		
25	00111810036	CLAMP Ø16		
29	00777600041	EMPTY SCREW 3/8		
30	00777710007	MANUAL PUMP		
31	95202000003			
33	00111990104	THROTTLE LEVER WITH BLACK KNOB		
34	00111610004	BLACK ACCELERATOR LEVER		
35	92001000041	ACCELERATOR LEVER SUPPORT		
36	00777700034	KUBOTA ENGINE D902 22 HP		
37	92006000005	RADIATOR OUT HOSE		
38	92006200000	THROTTLE LEVER WITH CABLE		
39	92006000003	FAN MW 350/8/35/1H/PAG/RS		
40	00111000184	SCREW TE M5X10		
41	95124000014	LOCK ACCELERATOR CABLE		
42	00111000035	SELF BLOC. NUT M6		
43	00111450002	SCREW WASHER M8X30		
44	00111400031	SCREW TCEI		
45	00111000183	SELF BL. NUT M5		
46	00111400028	ALLEN SCREW M5X14		
47	00111450005	SCREW/W M6X16		
48	00111250018	NUT "CONEKLOK" M8		
49	92006000006	ENGINE ASPIRATION HOSE		
50	00111810012	CLAMP 40-60 TYPE NORMA		
51	00777650057	DONALDSON AIR FILTER		
52	00777650042	AIR FILTER CARTRIDGE		
53	92006220000	LEFT ENGINE HOOD SUPPORT		
54	92006000007	AIR FILTER HOSE		
55	00777650043	BRACKET AIR FILTER SUPPORT		
56	92006130000	HOSE		
57	92006000029	AIR PRE-FILTER HOSE		
58	00111810040	CLAMP TYPE NORMA 50-70		
59	95599000090			
60	00777650059	AIR PRE-FILTER		
61	95599000089			
62	92006230000	RADIATOR LOWER CLOSER		
63	95599000091			

#

P/N

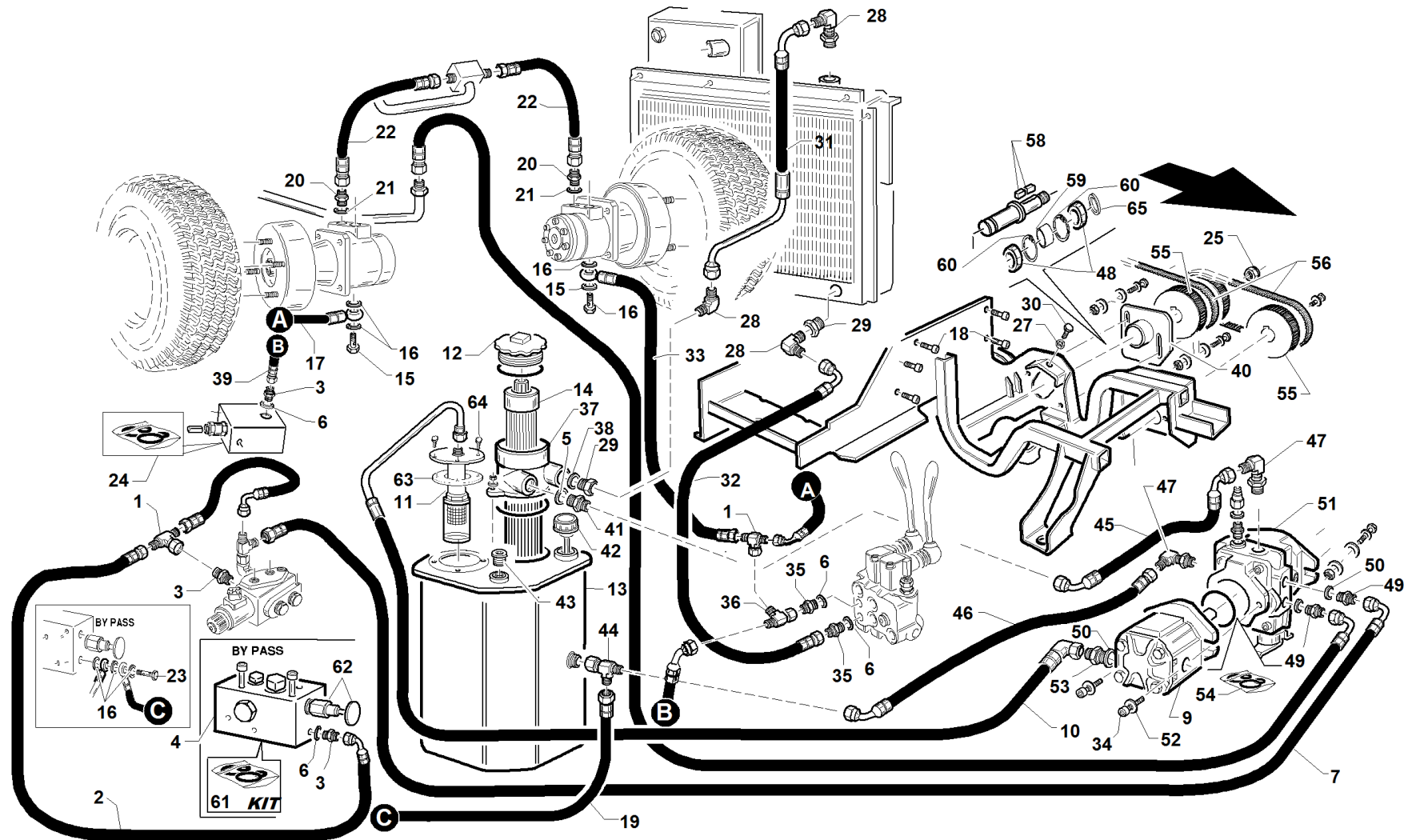
DESCRIPTION

KUBOTA 902

REF. 21 - 00555501328

64	92006000001	GTS RADIATOR CONVEYOR
65	92006000025	OIL-WATER RADIATOR 94 mm
66	95599000042	RADIATOR CAP
67	95599000088	
68	00111000166	SELF BL. SCREW M6
69	00111000037	WASHER 6.6X18X2
70	00111970213	
71	92006000027	EXTERNAL FIXING RADIATOR BRACKET
72	92006000022	RADIATOR LOW-FRONT CLOSER
73	00111970127	STOPPER M8 D30X20
74	00111000059	FAKE SCREW/WASH. M8X14
75	92006230000	RADIATOR LOWER CLOSER
76	92006000014	STAFFA SUPPORTO CAVO ACCELERATORE ZNT

GTS-D



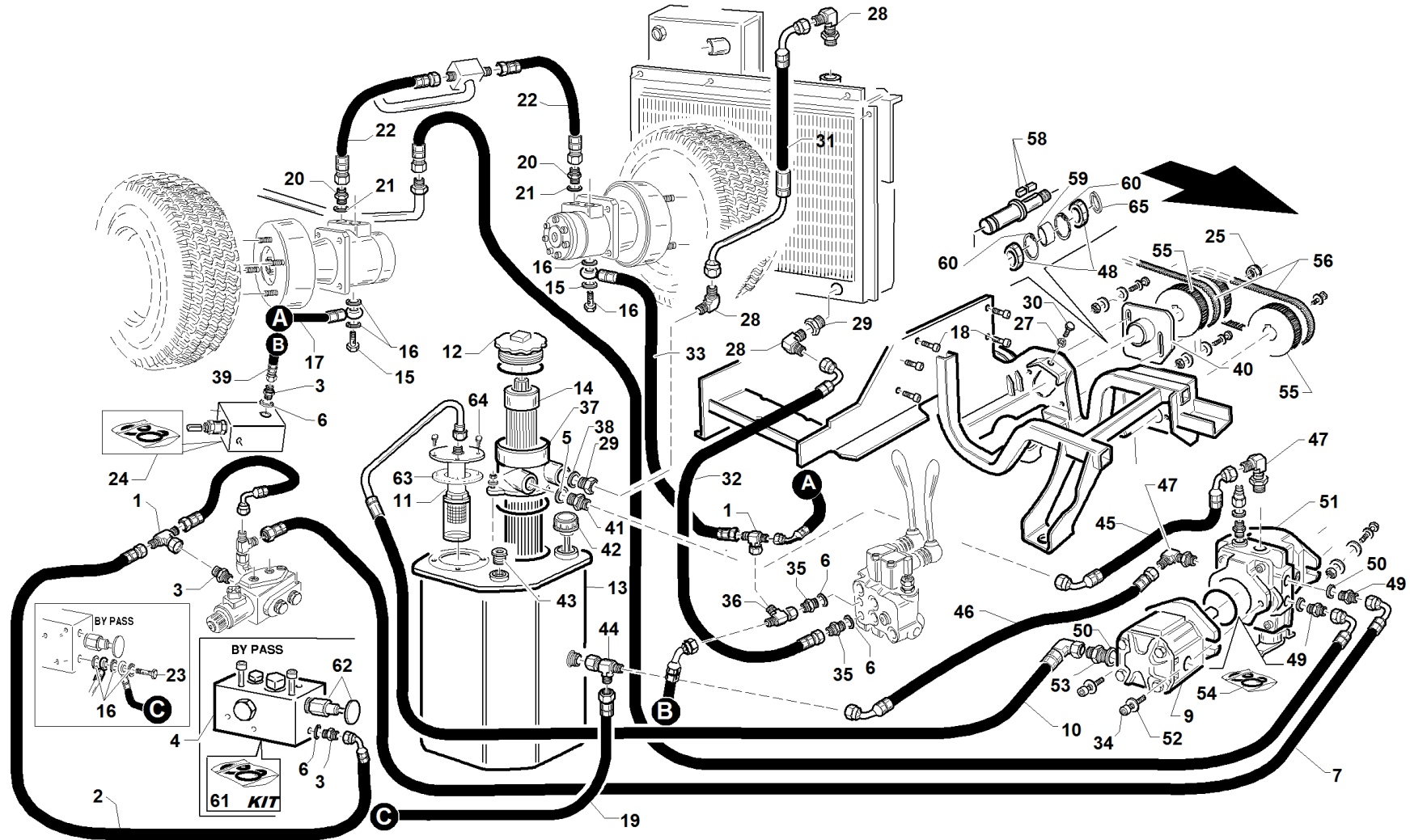
S/N
→1409003

REF. 22 - 00555501358

#	P/N	DESCRIPTION	GTS-D
1	00777600178	T-ADAPTER 3/8	
2	92006180017	HYDRAULIC PIPE 3/8 2SC F3/8 - F90° 3/8	
3	00777600015	NIPPLE 3/8	
4	95303000026	VALVE BLOCK	
5	00777600131	WASHER 3/4	
6	00777600003	WASHER COPPER 3/8	
7	92006180006	HYDRAULIC PIPE 1/2 2SC F90° 1/2 - F3/8	
9	92001000001	HYDR. PUMP 11cc	
10	92006180009	GEARS PUMP SUCTION PIPE	
11	92001000008	250 MICRON PLUNGED FILTER	
12	95599000086	FILTER CAP	
13	92001140000	OIL TANK	
14	00777650069	RETURN FILTER CARTRIDGE 12 MICRON	
15	00777600040	SIMPLE CABLE BOLT	
16	00777600001	WASHER COPPER 1/4	
17	92006180004	HYDRAULIC PIPE 1/4 1SN F3/8 - OC1/4	
18	00111400031	HEX SOCKET HEAD CAP SCREW M10X20 UNI5932	
19	92006180007	HYDRAULIC PIPE 3/8 1SN F1/2 - OC1/4	
20	00777600125	NIPPLE 1/2 - 1/2	
21	00777600117	"COPPER WASHER 1/2""	
22	92002120007	HOSE 3/8 1SC F1/2-F1/2 L=600	
23	00777600039	DOUBLE CABLE BOLT	
24	95598500000	GTS HIGH DUMP CYL.GASKET KIT	
25	00111250007	SELF BL. NUT M20X1.5	
27	00111150002	NUT M10 UNI 5588	
28	00777600134	ADAPTER 90° M/M 3/4 ADJUSTABLE	
29	00777600179	REDUCTION PLUG 3/4	
30	00111300029	SCREW TE M10X55	
31	92006180015	OIL COOLER OUTPUT HYDRAULIC HOSE	
32	92006180016	HYDRAULIC PIPE 3/4 1SC F90° 3/4 - F3/4	
33	92006180005	HYDRAULIC PIPE 1/4 1SN F90° 3/8 - OC1/4	
34	00111400010	SCREW M10X30 8.8 UNI 5931	
35	00777600135	NIPPLE 3/4-3/8	
36	00777600158	ADAPTER 3/8 ROTATING	
37	91001000013	OIL FILTER 12 MICRO	
38	00777600159	"COPPER WASHER 1""	
39	92006180012	HYDRAULIC PIPE 3/8 1SN F90° 3/8 - F3/8	
40	92006140000	TIGHTENER SUPPORT	
41	00777600157	"NIPPLE 1""-3/4"	
42	00777600176	PLUG WITH AIR VENT VALVE AND DIPSTICK	
43	00777600172	HEXAGONAL PLUG WITH OR 3/4 BSP	
44	00777600169	ADAPTER 1/2 ROTATING	
45	92006180011	HOSE 1/2 1SC F90°1/2-F90°1/2 L=215 180°	
46	92006260010	HYDRAULIC PIPE 5/8 1SC F90° 1/2 - F1/2	
47	00777600124	ADAPTER 90° M/M 1/2 ADJUSTABLE	
48	00777100059	BEARING 6005 2RS1	
49	00777600156	NIPPLE 1/2 - 3/8	
50	00777600128	WASHER 1/2	
51	92006000002	P0 14 PUMP	
52	00111550005	WASHER M10	
53	00777600130	NIPPLE 3/4-1/2	
54	95598400000	PUMP MD10V 14/18 SEAL KIT	
55	92006110000	PULLEY POLY CHAIN 8M-50S	
56	95597470000	GTS DIESEL BELTS KIT	
58	00111900022	TONGUE 1/4 X 1/4 X 14,5	
59	92006000034	SPACER Ø30XØ25.2X17.8	
60	00111000058	SNAP RING D.47 I	
61	95598590000	VALVE HTC 4WD GASKET KIT	
62	95599000092	VALVE MCD 28/2202-PBFB	

#**P/N****DESCRIPTION****GTS-D****REF. 22 - 00555501358**63
64
6592001000042
00111450005
92006000033IMMERSED FILTER GASKET
SCREW/W M6X16
SPACER Ø30XØ22.4X3.7

GTS-D



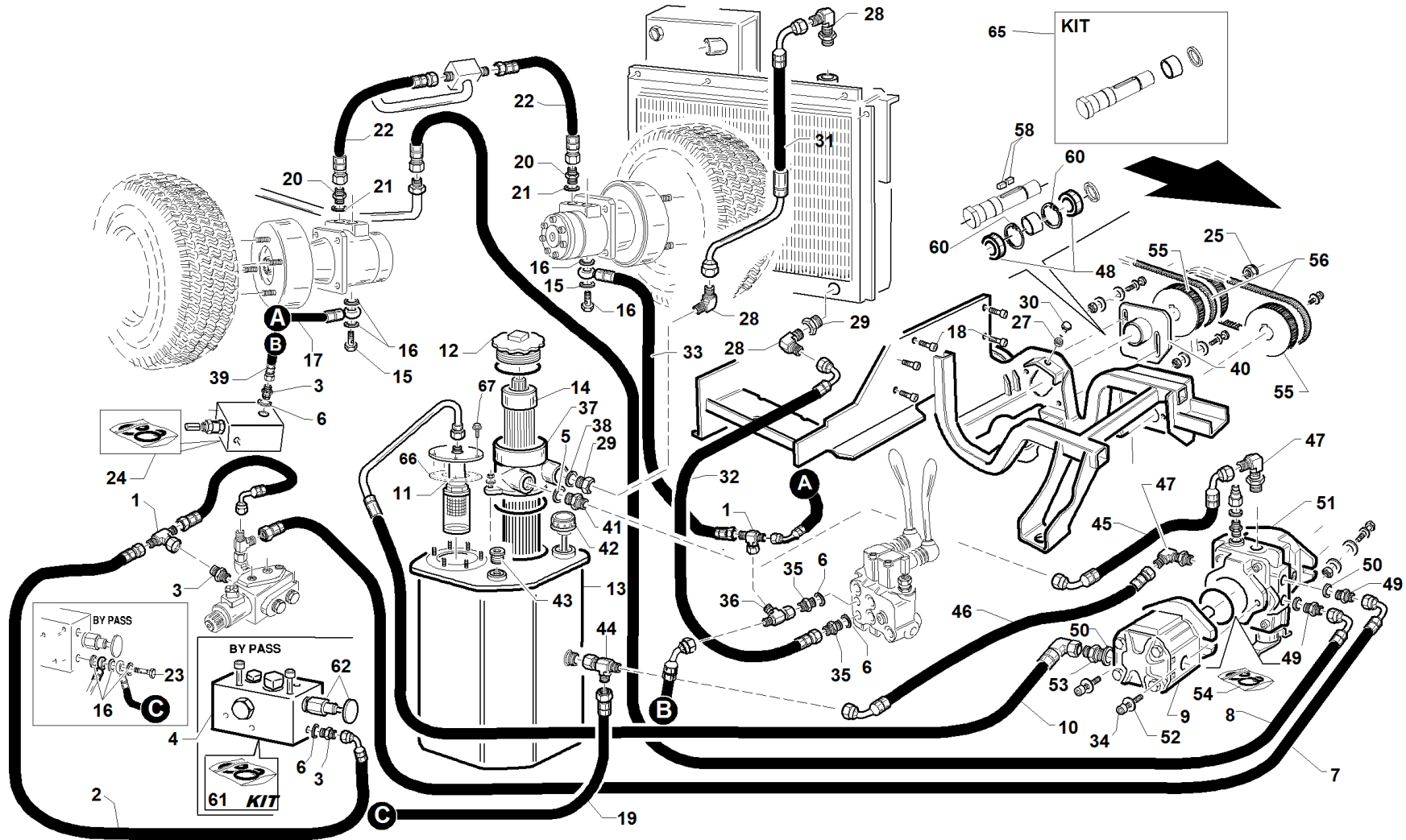
S/N
→1102008

REF. 22 - 00555501329

#	P/N	DESCRIPTION	GTS-D
1	00777600178	T-ADAPTER 3/8	
2	92006180017	HOSE	
3	00777600015	NIPPLE 3/8	
4	95303000026	VALVE BLOCK	
5	00777600131	WASHER 3/4	
6	00777600003	WASHER COPPER 3/8	
7	92006180006	HOSE 1/2 2SC F90°1/2-F3/8 L=950	
9	92001000001	HYDR. PUMP 11cc	
10	92006180009	PUMP FEED LINE - Z	
11	92001000008	250 MICRON PLUNGED FILTER	
12	95599000086	FILTER CAP	
13	92001140000	OIL TANK	
14	00777650069	RETURN FILTER CARTRIDGE 12 MICRON	
15	00777600040	SIMPLE CABLE BOLT	
16	00777600001	WASHER COPPER 1/4	
17	92006180004	TUBE 1/4	
18	00111400031	SCREW TCEI	
19	92006180007	HOSE	
20	00777600125	NIPPLE 1/2 - 1/2	
21	00777600117	COPPER WASHER 1/2"	
22	92002120007	HOSE 3/8 1SC F1/2-F1/2 L=600	
23	00777600039	DOUBLE CABLE BOLT	
24	95598500000	GTS HIGH DUMP CYL.GASKET KIT	
25	00111250007	SELF BL. NUT M20X1.5	
27	00111150002	NUT M10 6S ZNT	
28	00777600134	ADAPTER 90° M/M 3/4 ADJUSTABLE	
29	00777600179	REDUCTION PLUG 3/4	
30	00111300029	SCREW TE M10X55	
31	92006180015	RADIATOR OUT TUBE	
32	92006180016	HOSE	
33	92006180005	TUBE 1/4	
34	00111400010	SCREW M10X30 8.8 UNI 5931	
35	00777600135	NIPPLE 3/4-3/8	
36	00777600158	ADAPTER 3/8 ROTATING	
37	91001000013	OIL FILTER 12 MICRO	
38	00777600159	COPPER WASHER 1"	
39	92006180012	HOSE	
40	92006140000	TIGHTENER SUPPORT	
41	00777600157	NIPPLE 1"-3/4	
42	00777600176	IN PRESSURING PLUG 0.25BAR 3/4" LMAX=41	
43	00777600172	HEXAGONAL PLUG WITH OR 3/4 BSP	
44	00777600169	ADAPTER 1/2 ROTATING	
45	92006180011	HOSE 1/2 1SC F90°1/2-F90°1/2 L=215 180°	
46	92006180010	HOSE 5/8	
47	00777600124	ADAPTER 90° M/M 1/2 ADJUSTABLE	
48	00777100059	BEARING CLA 6005 2RS1 25X47X12	
49	00777600156	NIPPLE 1/2 - 3/8	
50	00777600128	WASHER 1/2	
51	92006000002		
52	00111550005	WASHER M10	
53	00777600130	NIPPLE 3/4-1/2	
54	95598400000	PUMP MD10V 14/18 SEAL KIT	
55	92006110000	PULLEY POLY CHAIN 8M-50S	
56	00111980042	BELT POLY CHAIN GT2 896-8MGT-12	
58	00111900022	TONGUE 1/4 X 1/4 X 14,5	
59	92006000034	SPACER Ø30XØ25.2X17.8	
60	00111000058	SNAP RING D.47 I	
61	95598590000	VALVE HTC 4WD GASKET KIT	
62	95599000092	VALVE MCD 28/2202-PBFB	

#**P/N****DESCRIPTION****GTS-D****REF. 22 - 0055501329**63
64
6592001000042
00111450005
92006000033IMMERSED FILTER GASKET
SCREW/W M6X16
SPACER

GTS-D



S/N

→ **1003053 ÷ 1112007** ←

REF.22 - 00555501337

#	P/N	DESCRIPTION	GTS-D
1	00777600178	T-ADAPTER 3/8	
2	92006180017	HOSE	
3	00777600015	NIPPLE 3/8	
4	95303000026	VALVE BLOCK	
5	00777600131	WASHER 3/4	
6	00777600003	WASHER COPPER 3/8	
7	92006180006	HOSE 1/2 2SC F90°1/2-F3/8 L=950	
9	92001000001	HYDR. PUMP 11cc	
10	92006180009	PUMP FEED LINE - Z	
11	92001000008	250 MICRON PLUNGED FILTER	
12	95599000086	FILTER CAP	
13	92001140000	OIL TANK	
14	00777650069	RETURN FILTER CARTRIDGE 12 MICRON	
15	00777600040	SIMPLE CABLE BOLT	
16	00777600001	WASHER COPPER 1/4	
17	92006180004	TUBE 1/4	
18	00111400031	SCREW TCEI	
19	92006180007	HOSE	
20	00777600125	NIPPLE 1/2 - 1/2	
21	00777600117	COPPER WASHER 1/2"	
22	92002120007	HOSE 3/8 1SC F1/2-F1/2 L=600	
23	00777600039	DOUBLE CABLE BOLT	
24	95598500000	GTS HIGH DUMP CYL.GASKET KIT	
25	00111250007	SELF BL. NUT M20X1.5	
27	00111150002	NUT M10 6S ZNT	
28	00777600134	ADAPTER 90° M/M 3/4 ADJUSTABLE	
29	00777600179	REDUCTION PLUG 3/4	
30	00111300029	SCREW TE M10X55	
31	92006180015	RADIATOR OUT TUBE	
32	92006180016	HOSE	
33	92006180005	TUBE 1/4	
34	00111400010	SCREW M10X30 8.8 UNI 5931	
35	00777600135	NIPPLE 3/4-3/8	
36	00777600158	ADAPTER 3/8 ROTATING	
37	91001000013	OIL FILTER 12 MICRO	
38	00777600159	COPPER WASHER 1"	
39	92006180012	HOSE	
40	92006140000	TIGHTENER SUPPORT	
41	00777600157	NIPPLE 1"-3/4	
42	00777600176	IN PRESSURING PLUG 0.25BAR 3/4" LMAX=41	
43	00777600172	HEXAGONAL PLUG WITH OR 3/4 BSP	
44	00777600169	ADAPTER 1/2 ROTATING	
45	92006180011	HOSE 1/2 1SC F90°1/2-F90°1/2 L=215 180°	
46	92006180010	HOSE 5/8	
47	00777600124	ADAPTER 90° M/M 1/2 ADJUSTABLE	
48	00777100059	BEARING CLA 6005 2RS1 25X47X12	
49	00777600156	NIPPLE 1/2 - 3/8	
50	00777600128	WASHER 1/2	
51	92006000002		
52	00111550005	WASHER M10	
53	00777600130	NIPPLE 3/4-1/2	
54	95598400000	PUMP MD10V 14/18 SEAL KIT	
55	92006110000	PULLEY POLY CHAIN 8M-50S	
56	00111980042	BELT POLY CHAIN GT2 896-8MGT-12	
58	00111900022	TONGUE 1/4 X 1/4 X 14,5	
60	00111000058	SNAP RING D.47 I	
61	95598590000	VALVE HTC 4WD GASKET KIT	
62	95599000092	VALVE MCD 28/2202-PBFB	
65	95598720000	GTS-D TIGHTENER SHAFT KIT	

#**P/N****DESCRIPTION****GTS-D****REF. 22 - 00555501337**

66

92001000042

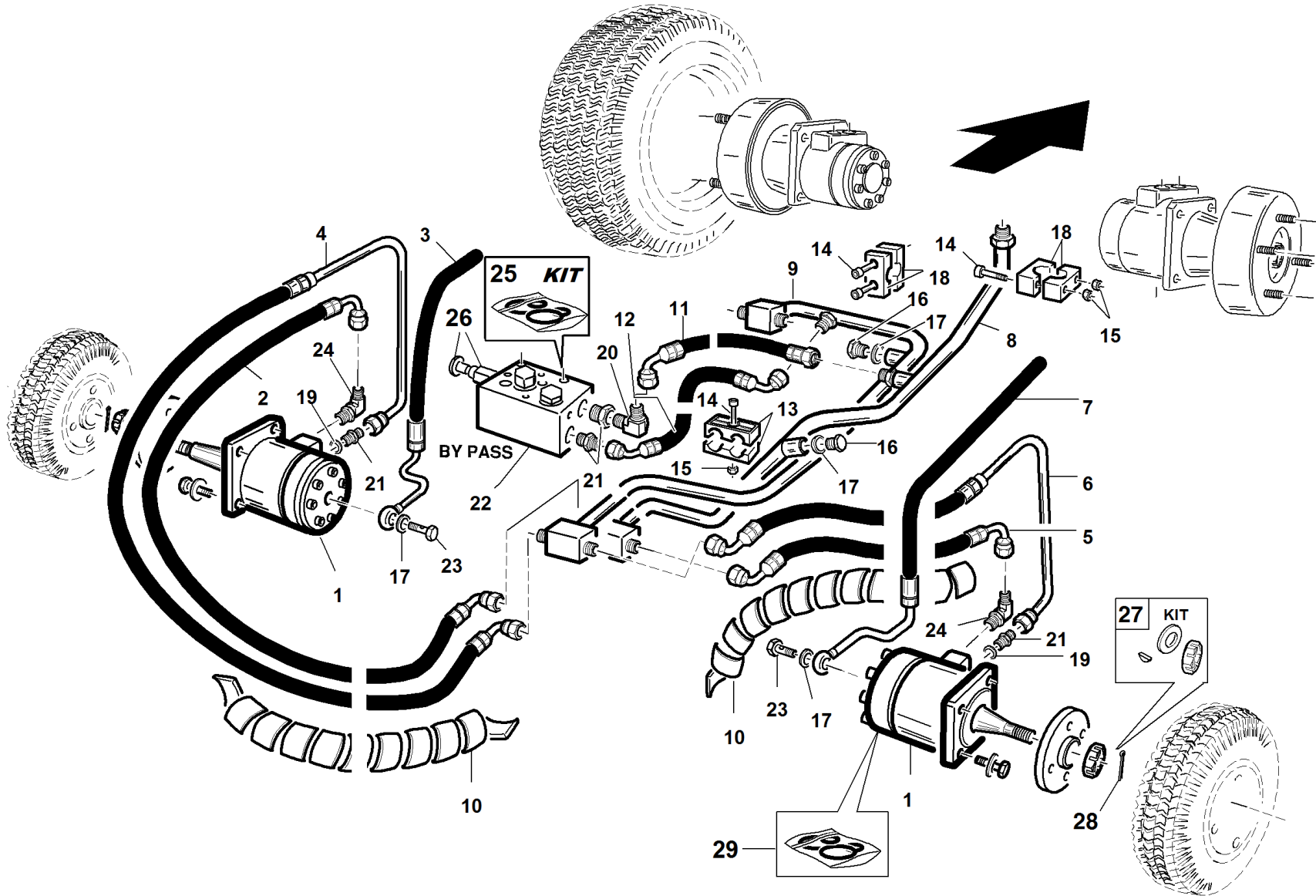
IMMERSED FILTER GASKET

67

00111450005

SCREW/W M6X16

GTS-D

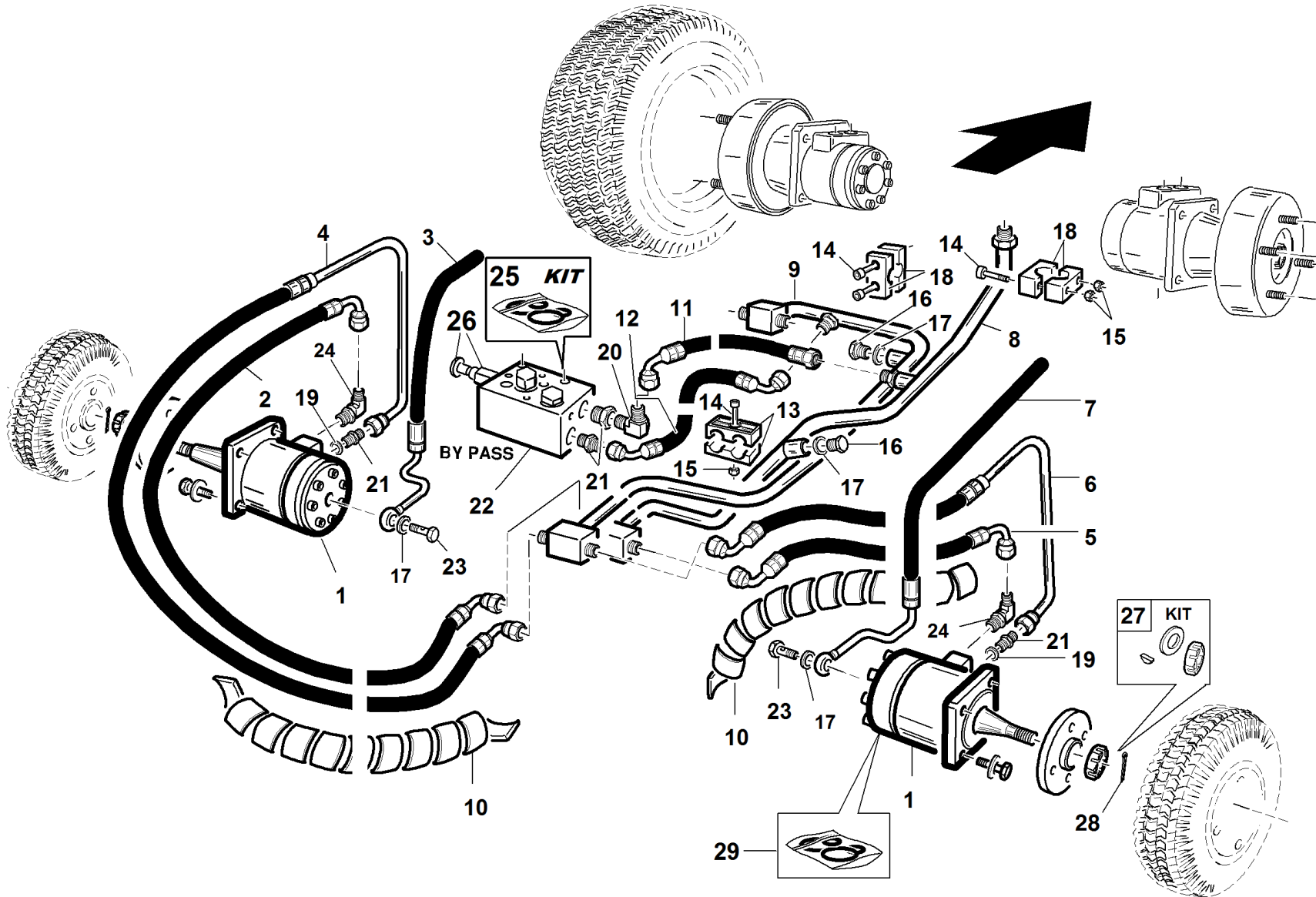


S/N
→1103002

REF.23 - 00555501335

#	P/N	DESCRIPTION	GTS-D
1	92002000012	REAR WHEEL HYDR. MOTOR ARS100	
2	92002000010	LEFT WHEEL ENGINE TUBE	
3	92010100001	LEFT WHEEL ENGINE TUBE	
4	92002000009	LEFT WHEEL ENGINE TUBE	
5	92002000005	RIGHT WHEEL ENGINE HOSE	
6	92002000004	RIGHT WHEEL ENGINE HOSE	
7	92010100002	RIGHT WHEEL ENGINE HOSE	
8	92010100003	DIESEL RECOVERY PIPE	
9	92002000002	CENTRAL HOSE Ø20X2.5	
10	92002000011	BLACK SPIRAL D. 27 L=400mm	
11	92006180001	HOSE	
12	92006180004	TUBE 1/4	
13	00111990109	PLASTIC COLLAR	
14	00111400027	ALLEN SCREW M8X50	
15	00111250018	NUT "CONEKLOK" M8	
16	00777600050	PLUG 1/4	
17	00777600001	WASHER COPPER 1/4	
18	00111990123	PLASTIC COLLAR Ø20	
19	00777600003	WASHER COPPER 3/8	
20	00777600115	MALE ELBOW 90° 3/8	
21	00777600015	NIPPLE 3/8	
22	95303000026	VALVE BLOCK	
23	00777600040	SIMPLE CABLE BOLT	
24	00777600124	ADAPTER 90° M/M 1/2 ADJUSTABLE	
25	95598590000	VALVE HTC 4WD GASKET KIT	
26	95599000092	VALVE MCD 28/2202-PBFB	
27	95598470000	NUT-WASHER-TONGUA KIT	
28	00111000177	PIN 4X40	
29	95598700000	ARS WHEEL MOTOR OIL SEALS KIT	

GTS-D



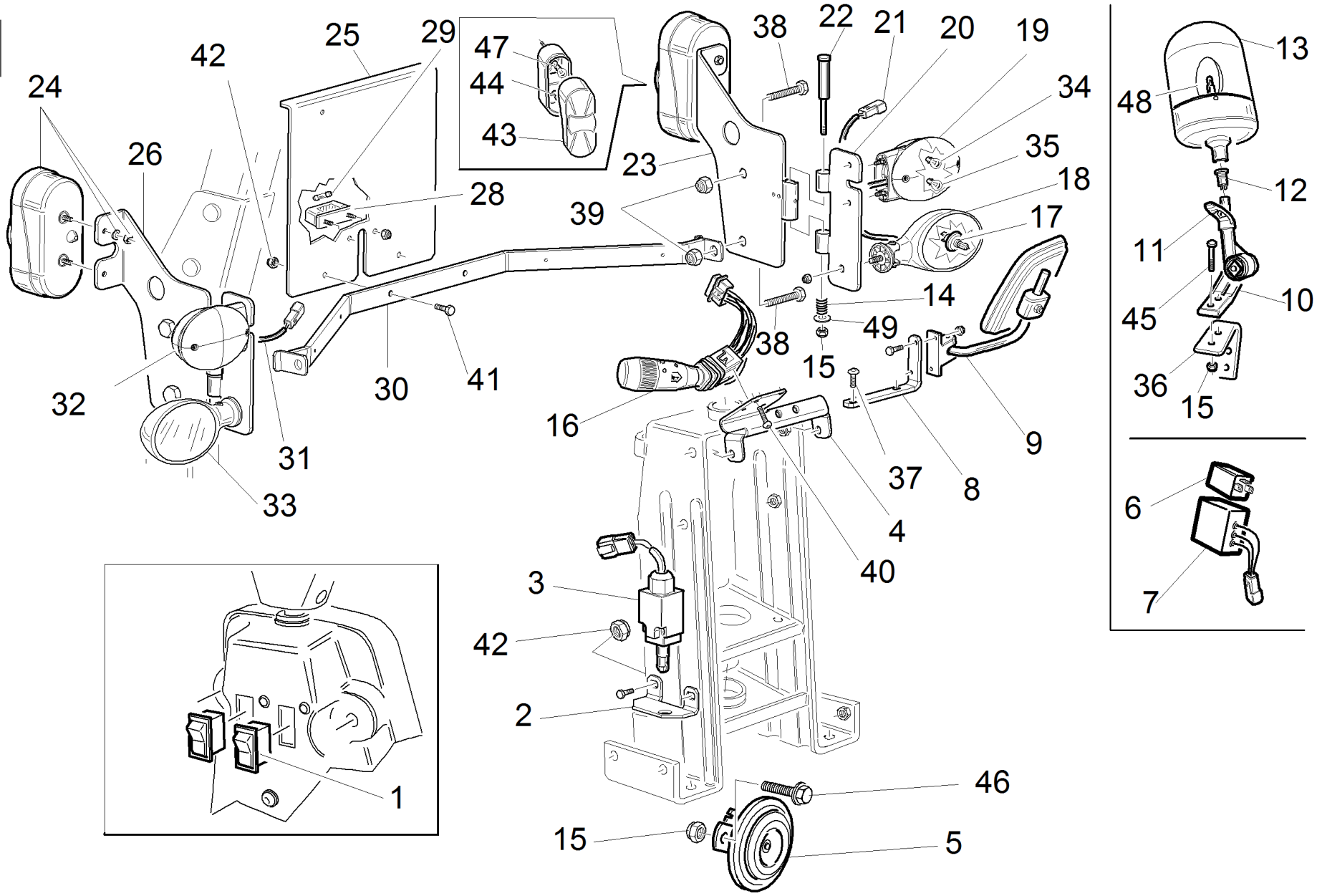
S/N

→ **0811001 ÷ 1103001** ←

REF. 23 - 00555501330

#	P/N	DESCRIPTION	GTS-D
1	92002000001	REAR WHEEL HYDR.MOTOR ARS 80	
2	92002000010	LEFT WHEEL ENGINE TUBE	
3	92010100001	LEFT WHEEL ENGINE TUBE	
4	92002000009	LEFT WHEEL ENGINE TUBE	
5	92002000005	RIGHT WHEEL ENGINE HOSE	
6	92002000004	RIGHT WHEEL ENGINE HOSE	
7	92010100002	RIGHT WHEEL ENGINE HOSE	
8	92010100003	DIESEL RECOVERY PIPE	
9	92002000002	CENTRAL HOSE Ø20X2.5	
10	92002000011	BLACK SPIRAL D. 27 L=400mm	
11	92006180001	HOSE	
12	92006180004	TUBE 1/4	
13	00111990109	PLASTIC COLLAR	
14	00111400027	ALLEN SCREW M8X50	
15	00111250018	NUT "CONEKLOK" M8	
16	00777600050	PLUG 1/4	
17	00777600001	WASHER COPPER 1/4	
18	00111990123	PLASTIC COLLAR Ø20	
19	00777600003	WASHER COPPER 3/8	
20	00777600115	MALE ELBOW 90° 3/8	
21	00777600015	NIPPLE 3/8	
22	95303000026	VALVE BLOCK	
23	00777600040	SIMPLE CABLE BOLT	
24	00777600124	ADAPTER 90° M/M 1/2 ADJUSTABLE	
25	95598590000	VALVE HTC 4WD GASKET KIT	
26	95599000092	VALVE MCD 28/2202-PBFB	
27	95598470000	NUT-WASHER-TONGUA KIT	
28	00111000177	PIN 4X40	
29	95598700000	ARS WHEEL MOTOR OIL SEALS KIT	

GTS D



#	P/N	DESCRIPTION	GTS D
---	-----	-------------	-------

1	00777800238		
2	92111000005		
3	95162201300	STOP LIGHT WIRED MICRO	
4	92111150000		
5	00777800022	HORN 12V	
6	00777800171	INTERMITTENCE 12V-47/180W	
7	95162300000	ELECTRIC TIMER PANEL	
8	92111000004		
9	00111970154	LEFT REARVIEW MIRROR	
10	95233000004		
11	00777801402	LAMP PLASTIC CAP	
12	00777801401	LAMP CONNECTOR	
13	00777802800	ROTATING LAMP	
14	95001000031	PTO CLUTCH SPRING	
15	00111000071	SELF BLO. NUT M8	
16	00777800237		
17	00777800225	BULB H7 12V 55W	
18	95599000073	"LEFT LIGHT	
19	95599000071	FRONT LIGHT LEFT ARROW +PARKING LIGHT	
20	92111100000		
21	92111141101		
22	92111000002		
23	92111120000		
24	95599000082	LIGHT	
25	91112000003		
26	92111110000		
28	00777802000	PLATE LIGHT	
29	00777800181	BULB 12V C5W	
30	92111130000		
31	92111141001		
32	95599000070	FRONT LIGHT RIGHT ARROW+PARKING LIGHT	
33	95599000072	LIGHT	
34	00777800178	BULB 12V P21W	
35	00777800177	BULB 12V R5W	
36	92111000003		
37	00111450024	SCREW M8 X 20	
38	00111300010	SCREW TE M12X70	
39	00111250002	SELF BL. NUT M12	
40	00111350009	SCREW AUTOFORF.4.2X13	
41	00111300011	SCREW TE M6X20	
42	00111000035	SELF BLOC. NUT M6	
43	95599000077	REAR LIGHT GLASS	
44	00777800226	LAMP 12V PY21W	
45	00111300008	SCREW TE M8X25	
46	00111450003	SCREW WASHER M8X20	
47	00777800179	BULB 12V P21/5W	
48	00777800180	BULB H1 12V 55W	
49	00111000087	WASHER P.8,4X15.6X1,5	

www.gianniferrari.com

Advanced Groundcare Solutions™

**COMPANY WITH QUALITY
MANAGEMENT SYSTEM CERTIFIED BY DNV
= UNI EN ISO 9001:2008 =**



**Gianni
Ferrari**

GIANNI FERRARI S.r.l.

Via Vespucci ,53 (z.ind. Ranaro)
42046 Reggiolo (Reggio Emilia) Italy
Tel. +39.0522.973697 - Fax +39.0522.973707
e-mail: info@gianniferrari.com



OFFICINE BIEFFEBI S.p.A.

Via dell'Artigianato ,7
46023 Gonzaga (Mantova) Italy
Tel. +39.0376.52641 - Fax +39.0376.588270
e-mail: bieffebi@gianniferrari.com